

LOW PROFILE SCONCE™

LPS MRI SERIES – SURFACE MOUNT LED

PRODUCT FEATURES:

- » Surface wall mount, non-ferrous construction
- » One-piece die-cast aluminum frames with edge-lit LED lamp source
- » Optional decorative lens materials
- » Wall backlight on damp location configurations
- » Simple-to-clean construction—meets NSF2 requirements



PROJECT INFORMATION

Job Name _____

Fixture Type _____

Catalog Number _____

Approved by _____

SPECIFICATIONS

HOUSING: Marine-grade die-cast aluminum frame. Frame serves as LED heat sink. Die-formed and welded aluminum driver enclosure, TGIC polyester powder coat finish with five-step pre-treatment; salt-spray test 1,000 hours. See Ordering Information for available finishes. Closed-cell gasketing at all housing interfaces.

OPTICAL: Internal laser-etched acrylic light guide for uniform luminance from edge-lit LED light source. Thin film polycarbonate diffuser; white appearance when unlit (standard outer lens). Optional decorative lens finishes are internally laminated with a matte outer finish. Softly-illuminated wall backlight on damp location products.

ELECTRICAL: Luminaire input 24VDC from remote-located 120-277VAC, high-power-factor power supply with EMI filter. Dimming line EMI filter required if utilizing dimming function. Dimming controlled through 0-10V dimmer (supplied by others). Dimming range down to 10% light output. See below for ordering information.

INSTALLATION: One (1) fastener secures frame assembly to mounting plate. Mount over junction box by four-point anchors (hardware by others). All power and signal wiring must be completely shielded in continuously grounded aluminum conduit. Light engine and internal driver are replaceable post-installation. MRI room EMI filters required (supplied by others).

PHOTOMETRICS: Photometry tested to the IESNA LM-79-08 standard by an ILAC/ISO17025 accredited laboratory. For photometric information, go to www.kenall.com.

WARRANTY: Limited five (5) year LED warranty.

LISTINGS: Luminaire is certified to UL Standards by Intertek Testing Laboratory for Damp Location. NSF2 Splash/Non-Food Zone. ADA compliant. Optional Wet Location rating and IP64 rating per IEC 60598.

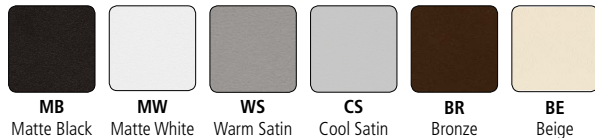
NOTE: Custom decorative lenses and color-coordinated custom color frames are available.



ORDERING INFORMATION (Ex: LPS5MRI-12-V-FP-MW-13L40K-DCC-24VDC)

Model	Length	Mounting	Decorative Outer Lens	Finish	Lamp Type	Driver Type	Voltage	Options
LPS5MRI	12					DCC	24VDC	
Model	Surface Mount MRI Sconce		Decorative Outer Lens	Finish		Driver Type		
LPS5MRI			FP Frosted Polycarbonate (Standard)	BE Beige		DCC Dimming Constant Current		
Length			CDT Colored Dots	BR Bronze		Voltage		
12	12" Nominal		MDT Monochrome Dots	CS Cool Satin Painted Anodized		24VDC 24 Volts DC		
Mounting			WVE Weave	MB Matte Black (Antimicrobial)		Options		
H Horizontal			BWV Bronze Weave	MW Matte White (Antimicrobial)		IP64* IP64 rated per IEC 60598		
V Vertical			BRC Branches	WS Warm Satin Painted Anodized				
			BBR Bronze Branches	CC Custom Color (Consult factory)				
			VNE Vine		Lamp Type			
			BVN Bronze Vine		13L27K 13 Watt 2700K LED			* Vertical Mount only
			PIP Pipes		13L30K 13 Watt 3000K LED			
			BPI Bronze Pipes		13L35K 13 Watt 3500K LED			
			CD Custom Decorative Lens (Consult Factory)		13L40K 13 Watt 4000K LED			

FRAME FINISH

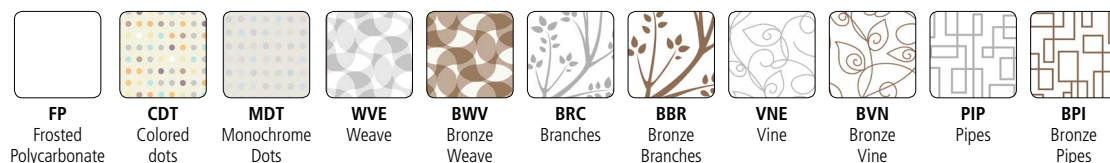


ACCESSORIES ORDERED SEPARATELY

- MRIPSF-480** Remote Power Supply with EMI Filter ([click here for specifications](#))
- MRIFD-1A** Dimming Filter (one per dimming circuit, [click here for specifications](#))

MRI LUMINAIRE CONNECTION PER POWER SUPPLY		
Luminaire Number	Amps/Luminaire	Max. Luminaires/Power Supply/Room
LPS5MRI-12	0.76	26

DECORATIVE OUTER LENS



www.kenall.com | P: 800-4-Kenall | F: 262-891-9701 | 10200 55th Street Kenosha, Wisconsin 53144, USA

A brand of **legrand**

This product complies with the Buy American Act: manufactured in the United States with more than 50% of the component cost of US origin. It may be covered by patents found at www.kenall.com/patents. Content of specification sheets is subject to change; please consult www.kenall.com for current product details. ©2019 Kenall Mfg. Co.

LOW PROFILE SCONCE™

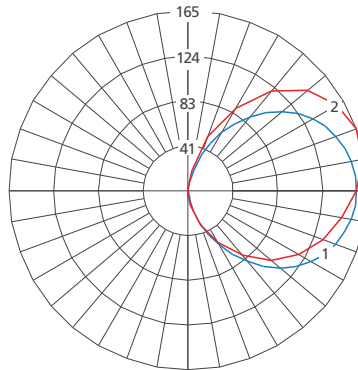
LPS MRI SERIES – SURFACE MOUNT LED

PERFORMANCE

Lamp Type	Initial Delivered Lumens		Input Power (W)	Drive Current (mA)	Estd. L70 LED Life
	@ 25°C	Efficacy (lm/W)			
13L27K	452	28	16	117	70,000
13L30K	511	32	16	117	70,000
13L35K	511	32	16	117	70,000
13L40K	587	37	16	117	70,000

Information above was tested with standard Frosted Polycarbonate lens. Visit www.kenall.com for additional information.

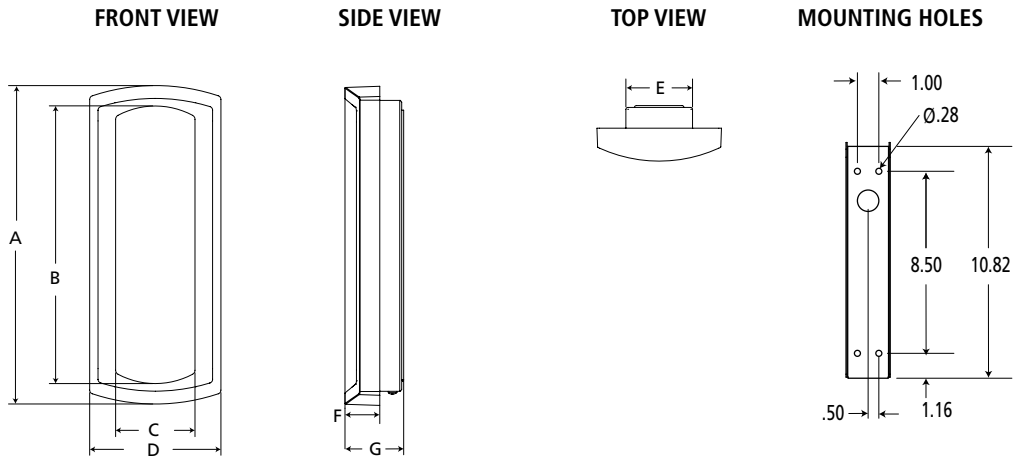
Model: LPS5MRI-12-XX-XX-XX-13L35K-DCC-24VDC



Maximum Candela = 165 Located At Horizontal Angle = 20, Vertical Angle = 90

- 1 - Vertical Plane Through Horizontal Angles (0-180) (Through Max. Cd.)
- 2 - Horizontal Cone Through Vertical Angle (90) (Through Max. Cd.)

DIMENSIONAL DATA



DIMENSIONAL DATA (IN INCHES)

	A	B	C	D	E	F	G
12"	12.62	11.00	3.14	5.20	2.78	1.38	2.55



www.kenall.com | P: 800-4-Kenall | F: 262-891-9701 | 10200 55th Street Kenosha, Wisconsin 53144, USA

A brand of Legrand

This product complies with the Buy American Act: manufactured in the United States with more than 50% of the component cost of US origin. It may be covered by patents found at www.kenall.com/patents. Content of specification sheets is subject to change; please consult www.kenall.com for current product details. ©2019 Kenall Mfg. Co.

LPS SERIES



IMPORTANT SAFEGUARDS

When using electrical equipment, basic safety precautions should always be followed, including the following:

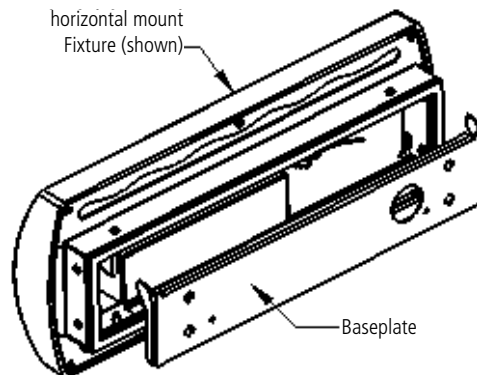
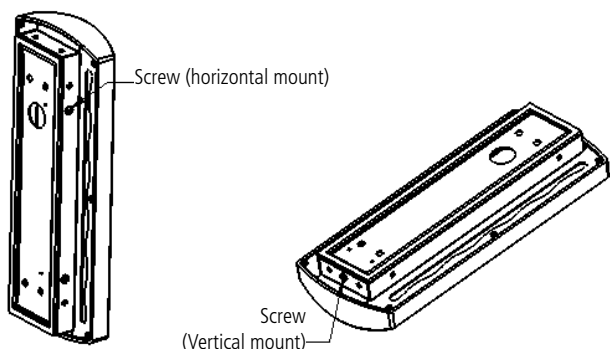
THIS PRODUCT MUST BE INSTALLED IN ACCORDANCE WITH THE APPLICABLE INSTALLATION CODE BY A PERSON FAMILIAR WITH THE CONSTRUCTION AND OPERATION OF THE PRODUCT AND THE HAZARDS INVOLVED. DISCONNECT POWER TO ALL CIRCUITS BEFORE WIRING FIXTURE. INSTALL IN ACCORDANCE WITH ALL NATIONAL, STATE, AND LOCAL CODES. DO NOT CONNECT TO AN UNGROUNDED SUPPLY. READ ALL FIXTURE MARKINGS AND LABELS TO ENSURE CORRECT INSTALLATION OF FIXTURE. SUPPLEMENTAL INSTRUCTIONS MAY BE LOCATED ON THE FIXTURE, IN ADDITION TO THIS INSTRUCTION SHEET, REGARDING ORIENTATION, OR MOUNTING RESTRICTIONS.

SAVE THESE INSTRUCTIONS

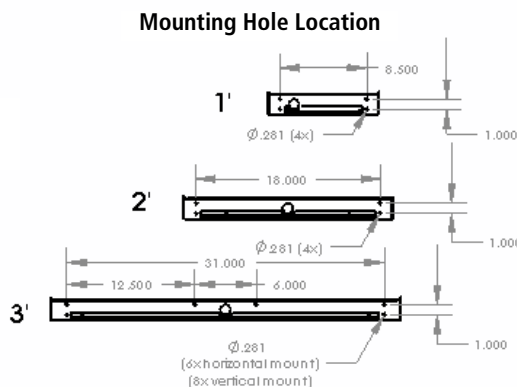
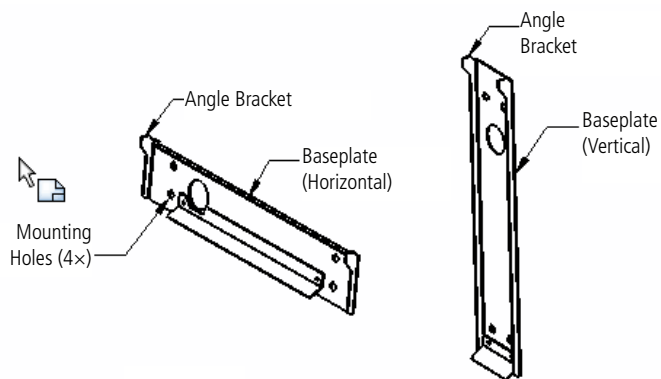
INSTALLATION INSTRUCTIONS

1. Back out screw(s) at bottom or side of housing until baseplate can be easily removed.

2. Remove baseplate.



3. Mount baseplate. Use the baseplate as a template and mark the pilot holes on the mount surface. Orient the baseplate with the angle brackets hook at the top. Use 1/4-20 screws (supplied by others) and anchors appropriate for the mounting surface. Remember to use non-ferrous metals when installing MRI fixtures.

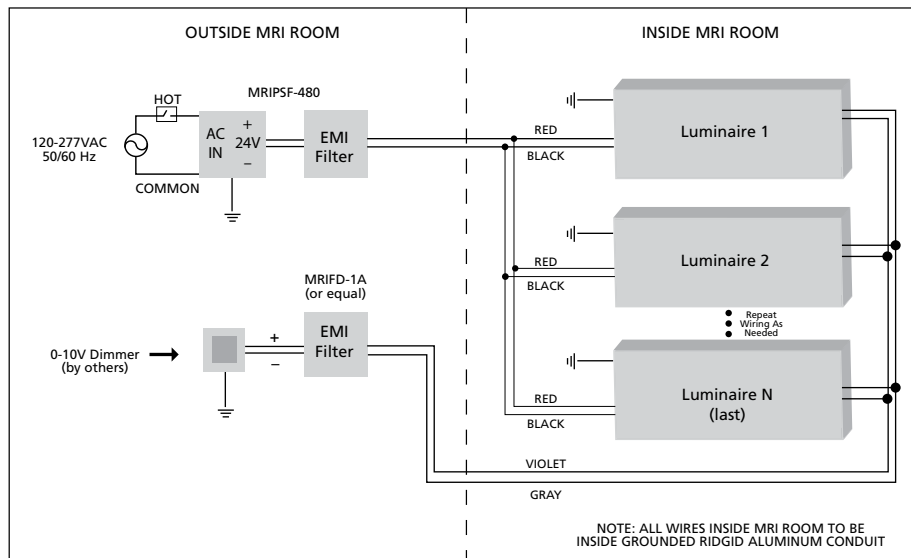


4. Make electrical connections. Disconnect facility power to the electric power supply leads. Connect fixture leads to power supply leads using connectors suitable for the gage and number of wires being used (not included).

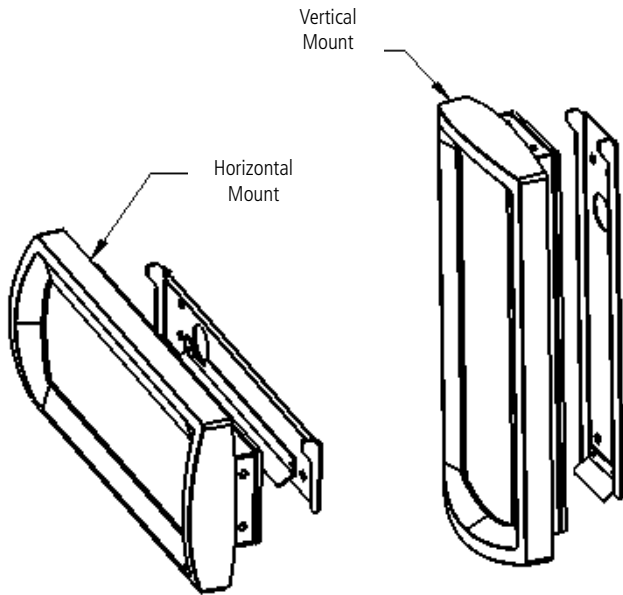
MRI Fixtures:

- a. If a 0-10V dimming circuit is to be connected, install at this time. The 0-10V dimmer must be installed outside the shielded MRI environment with the Kenall MRIFD-1A dimming line filter (or equivalent) installed in accordance with the supplied installation instructions. Kenall recommends the Lutron Diva (DVSTV) and Lutron Nova T (NTSTV-DV) series to ensure the full range of dimming can be achieved.
- b. Run DC supply wiring, equal in size and temperature rating to the filter input wiring, between the filter output cables and the first luminaire within the shielded room. Follow recommended wiring layout described below. All wiring must be within completely-enclosed, grounded conduit suitable for an MRI environment. Any gaps, regardless of size, must be closed or wrapped in copper foil tape. Special attention should be paid to the wiring entry point into the shielded space. Class 1 wiring methods are required.
- c. Run the dimming signal wiring, equal in specification to the filter input wiring, between the filter output cables and the first luminaire within the shielded room. Maintain polarity between input and output sides of the filter and follow wiring recommendation below. All wiring must be within completely enclosed, grounded conduit suitable for an MRI environment. Any gaps, regardless of size, must be closed or wrapped in copper foil tape. Special attention should be paid to the wiring entry point into the shielded space. Cap gray and violet leads at luminaire(s) if dimming function is not implemented.

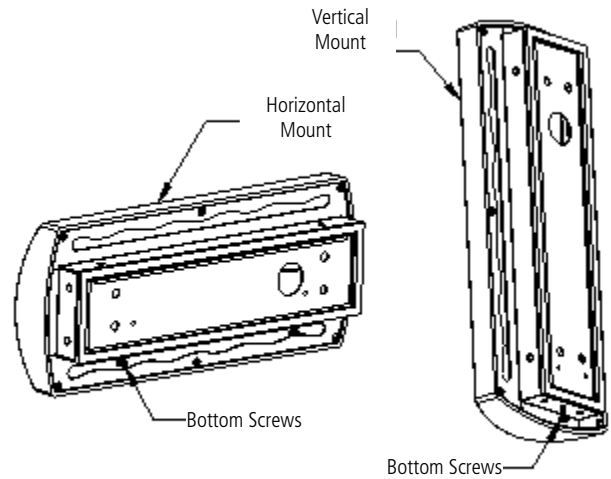
NOTES: To prevent MRI machine interference, all DC power and dimming signal wiring must be completely shielded within grounded conduit.



5. Install fixture. Top of housing over top of baseplate's hooks.



6. Tighten screw at bottom of housing.



CUSTOMER SERVICE

For technical assistance, call 1-800-4KENALL (1-800-453-6255).

WARRANTY

For warranty information visit www.kenall.com/Resources/Certified-Performance-Warranties



www.kenall.com | P: 800-4-Kenall | F: 262-891-9701 | 10200 55th Street Kenosha, Wisconsin 53144, USA

This product complies with the Buy American Act: manufactured in the United States with more than 50% of the component cost of US origin. It may be covered by patents found at www.kenall.com/patents. Content of specification sheets is subject to change; please consult www.kenall.com for current product details. ©2019 Kenall Mfg. Co.

A brand of **legrand**

CUSTOMER ACKNOWLEDGEMENT

Customer acknowledges that these Installation Instructions are part of the product specification, and that the attached Installation Registration Form will be provided to the installer to sign and return to Kenall after installation is complete. This signed release is required by Kenall before order will be released into production.

Signature: _____

Date: _____

Print Name: _____

Company Name: _____

IMPORTANT SAFEGUARDS

To prevent MRI machine interference, all DC power and dimming signal wiring must be completely shielded within grounded aluminum conduit and a suitable MRI room EMI filter must be installed on each line.

When using electrical equipment, basic safety precautions should always be followed, including the following:
THIS PRODUCT MUST BE INSTALLED IN ACCORDANCE WITH THE APPLICABLE INSTALLATION CODE BY A PERSON FAMILIAR WITH THE CONSTRUCTION AND OPERATION OF THE PRODUCT AND THE HAZARDS INVOLVED.

SAVE THESE INSTRUCTIONS

-
- Disconnect power to all circuits before wiring system.
 - Install in accordance with all national, state, and local codes.
 - Do not connect to an ungrounded supply.
 - Wiring connections must be made internal to the enclosure.
 - Failure to install unit on a mechanically-sound surface may result in personal injury, physical damage, or potential fire hazard.
 - Use installation procedures appropriate for an environment involving MRI and sensitive electronic equipment.
 - Read all markings and labels to ensure correct installation of the power supply. Supplemental instructions may be located on the enclosure, in addition to this instruction sheet, regarding orientation, or mounting restrictions.
 - Read instructions provided with the MedMaster™ MRIPSF-480 remote power supply and DC filter system for proper installation and electrical connection to the lighting system.



CUSTOMER ACKNOWLEDGEMENT

MRI INSTALLATION REGISTRATION FORM

Customer acknowledges that the attached Installation Registration Form will be provided to the installer to sign and return to Kenall after installation is complete. For warranty purposes, please fill out this form and return to Kenall by fax at (262) 891-9701.

I certify that the lighting installation for the listed MRI suite location is completed per the provided installation instructions and to the best of my abilities.

Please check off items to denote status:

- Installation instruction sheets for MRIPSF-480 remote power supply and DC filter system and individual luminaire(s) read and followed.
- MRIPSF-480 power supply and EMI filters are located outside the shielded enclosure.
- All DC supply wiring is completely enclosed within grounded aluminum conduit. Installation has no ungrounded/unshielded portions of conduit or openings of any size or shape.
- All dimming signal wiring is completely enclosed within grounded aluminum conduit. Installation has no ungrounded/unshielded portions of conduit or openings of any size or shape. Check here if dimming is not applicable:
- If supplied by others, MRI Room EMI filters for the 24VDC supply and dimming signal are of the type intended for MRI suites and are sized to the electrical load.
- DC supply power and dimming signal are NOT running through the same EMI filter. Check here if dimming is not applicable:
- Lighting system fully tested (including dimming operation, if applicable) while MRI machine is in idle and scan operation mode.

If any of these steps cannot be completed or you need technical assistance, please contact Kenall Technical Support at 1-800-4KENALL (1-800-453-6255).

Electrical Contractor

Installation Site

Name: _____

Name: _____

City/State: _____

City/State: _____

Phone: _____

FAX FORM TO (262) 891-9701

Installation Date: _____

(Do not write below line)

Kenall Received By: _____ Received Date: _____



www.kenall.com | P: 800-4-Kenall | F: 262-891-9701 | 10200 55th Street Kenosha, Wisconsin 53144, USA

A brand of **legrand**

This product complies with the Buy American Act: manufactured in the United States with more than 50% of the component cost of US origin. It may be covered by patents found at www.kenall.com/patents. Content of specification sheets is subject to change; please consult www.kenall.com for current product details. ©2019 Kenall Mfg. Co.