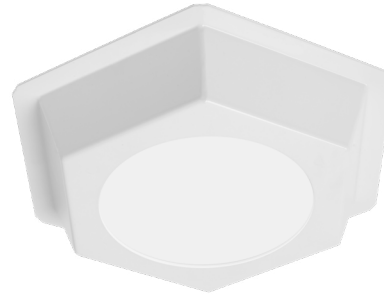


MIGHTY MAC™

HXSS SERIES

PRODUCT FEATURES:

- » Surface ceiling mount – nominal 13” diameter
- » Innovative door-free design – eliminating possibility of contraband concealment or tampering
- » Designed for permanent installation
- » One-piece, TIG-welded housing with reinforced, continuous lens retention
- » LED thermal management and under-stressed driver to promote long life expectancy



SPECIFICATIONS

HOUSING: One-piece die-formed prime grade material as specified – see Ordering Information. Cold-rolled steel and painted stainless steel options are finished with a gloss white TGIC polyester powder coat finish with 5-stage pre-treatment. Continuous seam-welded and smoothed corners with no post grinding (TIG). Housing resistant to penetration and contraband concealment. Two-piece concealed lens retention bracket.

OPTICS: High-efficiency diffused, impact-resistant acrylic inner lens with clear polycarbonate or tempered glass outer lens. See Ordering Information for selection options. Maximum 0.500” overall thickness.

LED MODULE: Mid-power LED array. See Ordering Information for color temperature options. 80CRI minimum. Maximum 3-step MacAdam variation allowance.

DRIVER: 120-277VAC or 347VAC, 50/60Hz electrical input with serviceable constant-current driver (<20% THD, >0.90 PF). Minimum 85% driver efficiency. Standard 0-10V dimming with 1-100% range and dim-to-dark capabilities (non dim-to-dark with 347V); maximum 165 µA maximum source current.

INSTALLATION: Ceiling installation via external mounting holes using six (6) high-security bolts (provided by others).

WARRANTY: Limited five (5) year LED and driver warranty.

LISTINGS: Luminaire is certified to UL Standards by Intertek Testing Laboratory for Damp Location. See WL Option for Wet Locations, covered ceilings only.



ORDERING INFORMATION (Ex: HXSS-13-0-37L-35K8-DIM1-DV-SYM/B-FS)

Model	Size	Hsg. Material	Lamp Power	Lamp Color	Driver Type	Voltage	Lens (Inner/Outer)	Options
HXSS	13				DIM1		SYM /	
	Size				Driver Type		Lens (Inner/Outer)	
	13 13" Nominal				DIM1 0-10V Dimming to 1%		SYM † .125" Diffused DR Acrylic	
	Housing Material				Voltage		G .125" Clear Polycarbonate	
	0 14-Ga CRS in Gloss White				DV 120-277VAC, 50/60Hz		7 .187" Clear Polycarbonate	
	1 16-Ga CRS in Gloss White				347 347VAC, 60Hz (DIM1 only)		8 .187" Clear Tempered Glass	
	3 14-Ga Type 304 Stainless Steel in Gloss White						9 .250" Clear Polycarbonate	
	4 16-Ga Type 304 Stainless Steel in Gloss White						A .250" Clear Tempered Glass	
	9 12-Ga CRS in Gloss White						B .375" Clear Polycarbonate	
							C .375" Clear Tempered Glass	
	Lamp Power						Options	
	23L 23 Watt LED						LEL 4W Emergency Battery Backup with Remote-Mount Test Switch (23L and DV only; 0°C min ambient)	
	37L 37 Watt LED						FS Single Fuse & Holder	
	Lamp Color						NLW 2700K Warm White LED Night Light (n/a 347V)	
	30K8 3000K / 80 CRI min.						NLA Amber LED Night Light (n/a 347V)	
	35K8 3500K / 80 CRI min.						WL Wet Location Rating (covered ceiling only)	
	40K8 4000K / 80 CRI min.							
	50K8 5000K / 80 CRI min.							

† Not available as Outer lens or as standalone lens option



MIGHTY MAC™

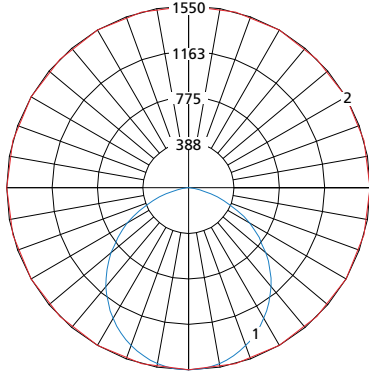
HXSS SERIES

PERFORMANCE

Model	Lamp Power	Initial Delivered Lumens, by CCT (lm)				Efficacy (lm/W)	Input Power (W)	Estd. L70 LED Life (Hrs)
		30K8	35K8	40K8	50K8			
HXSS13	23L	2,414	2,497	2,555	2,572	95 - 101	25	>72,000
	37L	3,830	3,962	4,054	4,080	92 - 98	42	>72,000

NOTE: All products tested with SYM/B lens configuration. See "Lumen Output Scaling Factor" table for output values with alternate lens configurations. Information subject to change without notice. Visit www.kenall.com for IES files and additional information.

Model: HXSS-13-3-37L-40K8-DIM1-DV-SYM-B



Maximum Candela = 1550 Located At Horizontal Angle = 0, Vertical Angle = 0

- 1 - Vertical Plane Through Horizontal Angles (0-180) (Through Max. Cd.)
- 2 - Horizontal Cone Through Vertical Angle (0) (Through Max. Cd.)

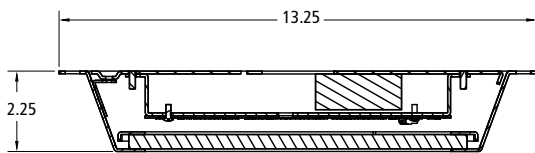
LUMEN OUTPUT SCALING FACTORS

Lens Configuration	Inner Lens	Outer Lens	Scaling Factor
SYM/G	1/8" Frost Acrylic	1/8" Clear PC	1.01
SYM/7		3/16" Clear PC	1.03
SYM/8		3/16" Clear TG	1.05
SYM/9		1/4" Clear PC	1.05
SYM/A		1/4" Clear TG	1.05
SYM/B		3/8" Clear PC	1.00
SYM/C		3/8" Clear TG	1.05

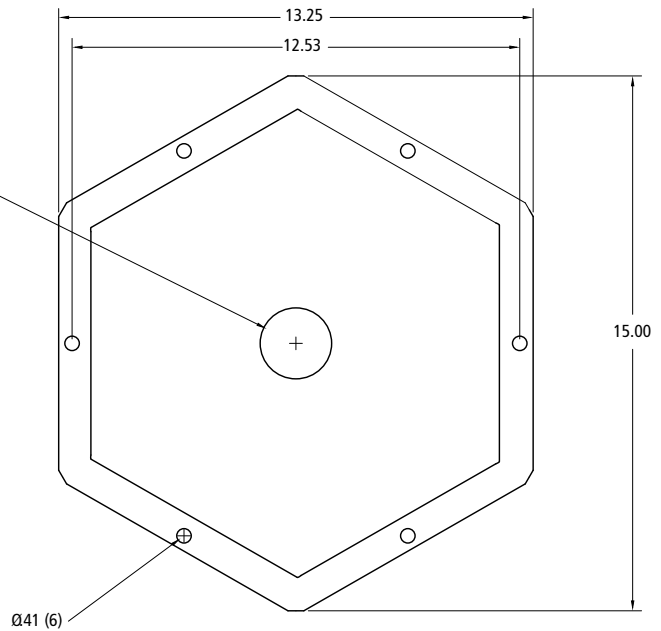
NOTE: Use this table to determine the lumen output and efficacy with the desired lens configuration by multiplying the provided value with the appropriate number in the 'Performance' table above.

DIMENSIONAL DATA

CROSS SECTION



BACKPLATE VIEW



www.kenall.com | P: 800-4-Kenall | F: 262-891-9700 | 10200 55th Street Kenosha, Wisconsin 53144, USA

This product complies with the Buy American Act: manufactured in the United States with more than 50% of the component cost of US origin. It may be covered by patents found at www.kenall.com/patents. Content of specification sheets is subject to change; please consult www.kenall.com for current product details. ©2022 Kenall Mfg. Co.

A brand of **legrand**