

SIMPLESEAL™

HSEFI SERIES – LF FLANGE MOUNT – INSET DOOR

PRODUCT FEATURES:

- » Recessed ceiling mount – flange; 1'x4', 2'x2', 2'x4'
- » One-piece inset doorframe secured to housing with aircraft cables
- » 20-gauge, hole-free one-piece cold rolled steel housing
- » Closed cell extruded silicone gasket seals doorframe to housing
- » Hazardous Location Listings include Class I, Division 2, Groups A, B, C, D
- » Class II Groups F and G, Division 2, Class III



PROJECT INFORMATION

Job Name _____

Fixture Type _____

Catalog Number _____

Approved by _____

SPECIFICATIONS

HOUSING: 20-gauge CRS. Hole-free seam welded construction. White TGIC polyester powder coat finish – 5-step pre-treatment. Salt spray test: 1,000 hours; Reflectance: 92%.

HOUSING FLANGE: 18-gauge CRS. Mitered and welded corners then spot-welded to housing.

DOORFRAME: 18-gauge CRS. One-piece inset construction welded corners. White TGIC polyester powder coat finish – 5-step pre-treatment. Salt spray test: 1,000 hours; Reflectance: 92%. Doorframe secured to housing with aircraft cables and (8) for 1x4, 2x2, (10) for 2x4 captive mounted Phillips head stainless steel fasteners. Doorframe Gasket: Closed cell extruded silicone gasket seals doorframe to housing.

LENS: .125" P12 acrylic lens sealed to doorframe with silicone sealant and secured with continuous lens retention system. Lens orientation – smooth side out.

ELECTRICAL: Fluorescent electronic ballasts (<10% THD). Lamps by others. See Electrical Options for additional options.

INSTALLATION: Adjustable swing-out mounting brackets standard.

WARRANTY: Limited one (1) year Kenall fluorescent warranty.

LISTINGS: UL and CUL Listed for Wet Location. UL certified IP65 per IEC 60598. NSF2 Splash/non-Food Zone. Meets K230 Leakage Standard for luminaire leakage in pressurized environments and FED-STD-209E/Class 100 (ISO 5) Cleanrooms. Standard Hazardous Location Listings include Class I, Division 2, Groups A, B, C, D. Class II, Groups F and G, Division 2, Class III. CCEA approved.



ORDERING INFORMATION (Ex: HSEFI24T8-6-32-RS-2-277-2F-2H-1)

Model	Lamp Qty/Type	Ballast Type	Ballast Qty	Voltage	Doorframe Option	Housing	Lens Type	Options
Model		Ballast Type			Housing/Flange Options		Options	
HSEFI14T8 1'x4'		RS Rapid Start Electronic <10% THD			2H 20-Ga CRS/18-Ga CRS (STD)		FS Fuse & Holder	(available with 1 or 2 lamps only)
HSEFI22T8 2'x2'		SB Specified Ballast			5H5 20-Ga Type 304 SS/18-Ga Type 304 SS		HJ Sealed Wireway	
HSEFI24T8 2'x4'					2H5 20-Ga CRS/18-Ga Type 304 SS		IF Install Frame	
		Ballast Quantity			PAH .050" Painted Aluminum		PF Plaster Frame	
Lamp Qty/Lamp Type		1 One					RM Continuous Row Mounting	
1x4 – T8		2 Two			Lens Type		TH 1/2" Trade Size Threaded Hub	
1-32 One F32T8					Acrylic			
2-32 Two F32T8		Voltage			1 .125" #12 Prismatic (STD)			
3-32 Three F32T8		120 120 Volts			T .125" Clear			
		277 277 Volts			U .125" #12 Prismatic Impact Blend			
2x2 – T8		347 347 Volts			Polycarbonate			
2-17 Two F17T8					2 .125" #12 Prismatic			
3-17 Three F17T8		Doorframe Options			G .125" Clear			
4-17 Four F17T8		2F 18-Ga CRS Painted (STD)			6 .187" #12 Prismatic			
2-31U Two F31T8-1.625"U		AF* Anodized Aluminum						
3-31U Three F31T8-1.625"U		PAF Painted Fabricated Aluminum			Tempered Glass			
		5F 20-Ga Type 304 SS Brushed			TG .125" Textured Tempered Glass			
2x4 – T8					Specified Lens			
2-32 Two F32T8					SL Specified Lens			
3-32 Three F32T8								
4-32 Four F32T8								
6-32 Six F32T8								

HAZARDOUS LOCATION T-RATINGS	
Lamp Type	Operating Temp/Temp Code
F32T8	85° C/T6
F17T8	100° C/T5
F31T8	100° C/T5



www.kenall.com | P: 800-4-Kenall | F: 262-891-9701 | 10200 55th Street Kenosha, Wisconsin 53144, USA

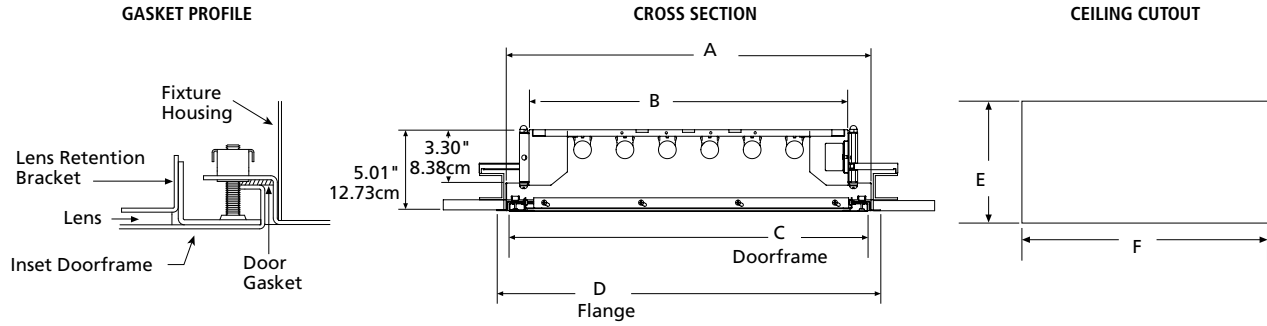
This product complies with the Buy American Act: manufactured in the United States with more than 50% of the component cost of US origin. It may be covered by patents found at www.kenall.com/patents. Content of specification sheets is subject to change; please consult www.kenall.com for current product details. ©2019 Kenall Mfg. Co.

A brand of **Legrand**

SIMPLESEAL™

HSEFI SERIES – LF FLANGE MOUNT – INSET DOOR

DIMENSIONAL DATA



DIMENSIONAL DATA (IN INCHES & CENTIMETERS)

	A	B	C	D	E	F
1×4 T5	12.20×46.60	9.35×46.60	11.80×46.20	13.35×47.75	12.50	46.88
30.48cm×121.92cm	30.99×118.36	23.75×118.36	29.97×117.35	33.91×121.29	31.75	119.08
2×2 T5	22.60×22.60	19.75×22.60	22.20×22.60	23.75×23.75	22.88	22.88
60.96cm×60.96cm	57.40×57.40	50.17×57.40	56.39×57.40	60.33×60.33	58.12	58.12
2×4 T5	22.60×46.60	19.75×46.60	22.20×46.20	23.75×47.75	22.88	46.88
60.96cm×121.92cm	57.40×118.36	50.17×118.36	56.39×117.35	60.33×121.29	58.12	119.08
1×4 T8	12.20×48.13	9.35×48.13	11.80×47.70	13.35×49.27	12.50	48.38
30.48cm×121.92cm	30.99×122.25	23.75×122.25	29.97×121.16	33.91×125.15	31.75	122.89
2×2 T8	22.60×24.13	19.75×24.13	22.20×25.70	23.75×25.27	22.88	24.38
60.96cm×60.96cm	57.40×61.29	50.17×61.29	56.39×65.28	60.33×64.19	58.12	61.93
2×4 T8	22.60×48.13	19.75×48.13	22.20×47.70	23.75×49.27	22.88	48.38
60.96cm×121.92cm	57.40×122.25	50.17×122.25	56.39×121.16	60.33×125.15	58.12	122.89

NOTE: Add .25" (.64cm) to each cut-out dimension when Install Frame (IF) or Plaster Frame (PF) Accessory is specified.

