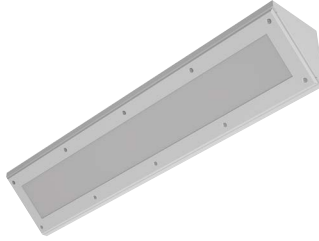


# SIMPLESEAL™

## HSECO SERIES – LF CORNER MOUNT – OVERLAPPING DOOR

### PRODUCT FEATURES:

- » Surface corner mount – 1'x4'
- » 20-gauge, hole-free one-piece cold rolled steel housing
- » Closed cell extruded silicone gasket seals doorframe to housing
- » Hazardous Location Listings include Class I, Division 2, Groups A, B, C, D, Class II, Division 2, Groups F, G and Class III.



### PROJECT INFORMATION

Job Name \_\_\_\_\_

Fixture Type \_\_\_\_\_

Catalog Number \_\_\_\_\_

Approved by \_\_\_\_\_

### SPECIFICATIONS:

**HOUSING:** 20-gauge CRS. Hole-free one-piece seam welded construction. White TGIC polyester powder coat finish – 5-step pre-treatment. Salt spray test: 1,000 hours; Reflectance: 92%.

**LENS:** .125" #12 high impact acrylic lens sealed to perimeter ledge of lens aperture with silicone sealant and secured with continuous lens retention system. Lens orientation – smooth side out. See Options for alternate lens selections. If required, specify lens overlay combinations inner/outer (Example: R/T).

**DOORFRAME:** 20-Gauge CRS. One-piece 60° beveled perimeter construction. Continuous angle lens retention system. Mechanical guide for doorframe fastener alignment. Doorframe secured to housing with stainless steel aircraft cables and 10 captive flush mounted Phillips head stainless steel fasteners. White TGIC polyester powder coat finish – 5-step pre-treatment. Salt spray test: 1,000 hours; Reflectance: 92%. Doorframe Gasket one-piece closed cell extruded silicone gasket seals doorframe to housing.

**ELECTRICAL:** Quantity and type as specified - see ordering information. All ballasts UL listed class P. Wireway hole provided with hub/ring assembly. See Ordering Information for alternate or multiple ballasts and optional equipment. Lamps by others.

**INSTALLATION:** Four .312" holes for surface mounting.

**WARRANTY:** Limited one (1) year Kenall fluorescent warranty.

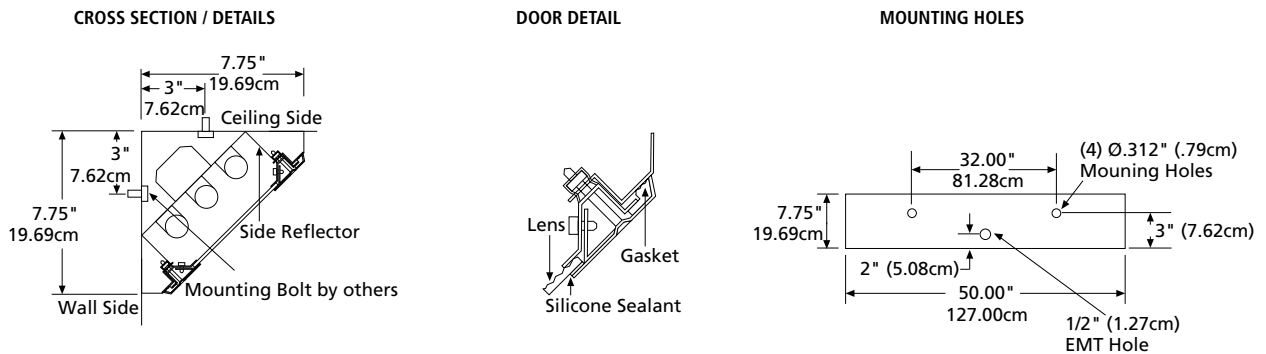
**LISTINGS:** UL and CUL Listed for Wet Location. UL certified IP65 per IEC 60598. NSF2 Splash/Non-Food Zone. FED-STD-209E/Class 100 (ISO 5) Cleanrooms. Standard Hazardous Location Listings include Class I, Division 2, Groups A, B, C, D; Class II, Division 2, Groups F, G; and Class III.



### ORDERING INFORMATION (Ex: HSECO14-2-32-IS-1-120-2F-2H-U)

Model	Lamp Qty/Type	Ballast Type	Ballast Qty	Voltage	Doorframe Option	Housing	Lens Type	Options
<b>HSECO14</b>								
	<b>Lamp Quantity/Type</b>		<b>Ballast Quantity</b>		<b>Housing Options</b>		<b>Polycarbonate</b>	
	1-32 One F32T8		1 One		2H 20 Ga CRS (STD)		2 .125" #12 Prismatic	
	2-32 Two F32T8		2 Two		5H 20 Ga Type 304 SS		G .125" Clear	
	3-32 Three F32T8				XH 20 Ga Type 316 SS		<b>Tempered Glass</b>	
	<b>Ballast Type</b>		<b>Voltage</b>		PAH .050" Painted Aluminum		TG .125" Textured Tempered Glass	
	IS Instant Start Electronic <10% THD		120 120 Volts				<b>Specified Lens</b>	
	RS Rapid Start Electronic <10% THD		277 277 Volts		<b>Lens Type</b>		SL Specified Lens	
	SB Specified Ballast		347 347 Volts		Acrylic			
			<b>Doorframe Options</b>		T .125" Clear		<b>Options</b>	
			2F 20 Ga CRS (STD)		U .125" #12 Prismatic High Impact Acrylic (STD)		EL One-Lamp Indoor Battery Pack (32°F)	
			5F 20 Ga Type 304 SS				FS Fuse & Holder	
			XF 20 Ga Type 316 SS				RF Radio Frequency Filter	
			PAF .063" Painted Fabricated Aluminum				TN 5/7/9 Watt Night Light (FL)	

### DIMENSIONAL DATA



www.kenall.com | P: 800-4-Kenall | F: 262-891-9701 | 10200 55th Street Kenosha, Wisconsin 53144, USA

This product complies with the Buy American Act: manufactured in the United States with more than 50% of the component cost of US origin. It may be covered by patents found at www.kenall.com/patents. Content of specification sheets is subject to change; please consult www.kenall.com for current product details. ©2019 Kenall Mfg. Co.

A brand of **legrand**

HSECO14-071520