

# LED HIGH BAY MAX™ OUTPUT

## Luminaires for High Bay Applications

### HBMO SERIES

#### PRODUCT FEATURES:

- » Lumen outputs ranging from 23,500-35,000lm
- » Textured tertiary lens for glare reduction; flat and drop lens
- » Various distribution patterns available, including Aisle-Lighter
- » Suspended ceiling mount; pendant, trunnion and loop hanger
- » 10 year limited product warranty



#### PROJECT INFORMATION

Job Name \_\_\_\_\_

Fixture Type \_\_\_\_\_

Catalog Number \_\_\_\_\_

Approved by \_\_\_\_\_

#### SPECIFICATIONS:

**HOUSING:** Marine-grade die-cast aluminum construction. Integral aluminum heat sink with concealed air inlet and convection fins. All power electronics removed from primary thermal path; all drivers with dedicated heat sink to exterior of luminaire. TGIC polyester powder coat finish with five-step pre-treatment; salt-spray test 1,000 hours. See Ordering Information for available finishes. Closed-cell silicone gasketing at all housing interfaces.

**OPTICS:** Type II, III, IV, V-Narrow Round, V-Wide Square or Aisle-lighter optical distributions. Clear textured acrylic or polycarbonate tertiary flat lens for full-cutoff applications or injection-molded clear textured acrylic or polycarbonate tertiary drop lens for uplight and enhanced glare control.

**ELECTRICAL:** Replaceable high-brightness LED array. See Ordering Information for color temperature and CRI options. 120-277VAC, 347VAC or 480VAC, 50/60Hz input with replaceable high power factor electronic constant-current driver (<10% THD, >0.95 PF). Standard 0-10V dimming with 10-100% range. Minimum 85% driver efficiency. EMC performance compliant with FCC CFR Part 15. Standard 20kV/kA surge protection to IEEE/ANSI C62.41 Cat. A.

**TEKLINK™ TL50:** An independent lighting control system integral to the luminaire, featuring its own occupancy sensor, daylight harvesting and adjustable time-out/dimming settings. Three different programs are available, each governing system behavior in normal operation; On-to-Dim Daylighting, On-to-Off Daylighting, and Occupancy Only.

**TEKLINK™ TL100:** Centralized, wired zonal occupancy and closed-loop daylight harvesting control system. TL100 controllers are standalone devices and ordered separately for luminaire. [Click here for specifications.](#)

**TEKLINK™ TL1000/2000:** An adaptive lighting control system with wired or wireless communication between system nodes. In addition to occupancy detection and daylight harvesting, TL1000 and TL2000 feature advanced scheduling and energy management capabilities with cloud-based management of system settings, reporting and notifications.

**INSTALLATION:** PENDANT: Sealed threaded hub supplied for 3/4" rigid pendant. Pendants by others. LOOP HANGER: Sealed hub with loop style hanger and 6' black power cord. IP65 rated quick connector. Hook by others. Center of gravity is along center axis of luminaire. TRUNNION: Length-adjustable trunnion bracket system with 6' black power cord and IP65 electrical hub.

**PHOTOMETRICS:** Photometry tested at 25°C. Photometry tested to the IESNA LM-79-08 standard by an ILAC/ISO 17025 accredited laboratory. For additional photometric data, please go to [www.kenall.com](http://www.kenall.com).

**WARRANTY:** Limited ten (10) year warranty.

**AMBIENT TEMPERATURE RATING:** Product is rated for -40°C to 40°C ambient environments.

**LISTINGS:** Luminaire is certified to UL Standards by Intertek Testing Laboratory for Wet Location. IP65 rating per IEC 60598. For maximum efficiency, Kenall recommends TekLink™ controls. For more information, visit [www.kenall.com](http://www.kenall.com).



#### ORDERING INFORMATION (Ex: HBMO26-PM-5S-DTA-DB-408L57K-DV)

Model	Mounting	Dist. Type	Lens Type	Finish	Lamp Type	Voltage	Options	TekLink	Controls Kit																																																																																												
<b>HBMO26</b>																																																																																																					
<table border="0" style="width: 100%;"> <tr> <td style="width: 25%;"><b>Mounting</b></td> <td style="width: 25%;"><b>Lens Type</b></td> <td style="width: 25%;"><b>Voltage</b></td> <td style="width: 25%;"><b>TekLink</b></td> </tr> <tr> <td>PM Pendant Mount</td> <td>DTA Drop Clear Textured Acrylic</td> <td>DV 120-277 Volts</td> <td>TL50 TL50 Control System <a href="#">(Click here for specifications)</a></td> </tr> <tr> <td>TK Trunnion Kit</td> <td>DTP Drop Clear Textured Polycarbonate</td> <td>347 347 Volts (60 Hz)</td> <td>TL100 TL100 Control System <a href="#">(Click here for specifications)</a></td> </tr> <tr> <td>HL Loop Hanger</td> <td>FPA Flat Clear Textured Acrylic</td> <td>480 480 Volts (60 Hz)</td> <td>TL1000 TL1000 Wired Control System <a href="#">(Click here for specifications)</a></td> </tr> <tr> <td></td> <td>FTP Flat Clear Textured Polycarbonate</td> <td></td> <td>TL2000 TL2000 Wireless Control System <a href="#">(Click here for specifications)</a></td> </tr> <tr> <td><b>Distribution Type</b></td> <td><b>Finish</b></td> <td><b>Options</b></td> <td><b>TLOS*</b> TL Sensor Only <a href="#">(Click here for specifications)</a></td> </tr> <tr> <td>A Aisle</td> <td>DB Dark Bronze</td> <td>LELC* Ceiling Mounted 20W Emergency Battery Backup (to view dimensional drawing <a href="#">click here</a>)</td> <td>Please consult Kenall Applications when ordering Controls</td> </tr> <tr> <td>2 Type II</td> <td>GW Gloss White</td> <td>LELP* Pendant Mounted 20W Emergency Battery Backup (to view dimensional drawing <a href="#">click here</a>)</td> <td></td> </tr> <tr> <td>3 Type III</td> <td>LG Light Gray</td> <td>2C† Two-Circuit Wiring</td> <td></td> </tr> <tr> <td>4 Type IV</td> <td>MB Matte Black</td> <td>BG Bird Guard</td> <td></td> </tr> <tr> <td>5N Type V – Narrow Round</td> <td>MW Matte White</td> <td>FS Single Fuse &amp; Holder</td> <td></td> </tr> <tr> <td>5S Type V – Wide Square</td> <td>CC Custom Color (Consult factory)</td> <td>SCM4† Safety Cable Mount (4')</td> <td></td> </tr> <tr> <td></td> <td><b>Lamp Type</b></td> <td></td> <td></td> </tr> <tr> <td></td> <td>300L35K 300 Watt 3500K LED (80 CRI)</td> <td></td> <td></td> </tr> <tr> <td></td> <td>300L40K 300 Watt 4000K LED (70 CRI)</td> <td></td> <td></td> </tr> <tr> <td></td> <td>300L40KH 300 Watt 4000K LED (80 CRI)</td> <td></td> <td></td> </tr> <tr> <td></td> <td>300L50K 300 Watt 5000K LED (70 CRI)</td> <td></td> <td></td> </tr> <tr> <td></td> <td>300L57K 300 Watt 5700K LED (70 CRI)</td> <td></td> <td></td> </tr> <tr> <td></td> <td>408L35K 408 Watt 3500K LED (80 CRI)</td> <td></td> <td></td> </tr> <tr> <td></td> <td>408L40K 408 Watt 4000K LED (70 CRI)</td> <td></td> <td></td> </tr> <tr> <td></td> <td>408L40KH 408 Watt 4000K LED (80 CRI)</td> <td></td> <td></td> </tr> <tr> <td></td> <td>408L50K 408 Watt 5000K LED (70 CRI)</td> <td></td> <td></td> </tr> <tr> <td></td> <td>408L57K 408 Watt 5700K LED (70 CRI)</td> <td></td> <td></td> </tr> </table>										<b>Mounting</b>	<b>Lens Type</b>	<b>Voltage</b>	<b>TekLink</b>	PM Pendant Mount	DTA Drop Clear Textured Acrylic	DV 120-277 Volts	TL50 TL50 Control System <a href="#">(Click here for specifications)</a>	TK Trunnion Kit	DTP Drop Clear Textured Polycarbonate	347 347 Volts (60 Hz)	TL100 TL100 Control System <a href="#">(Click here for specifications)</a>	HL Loop Hanger	FPA Flat Clear Textured Acrylic	480 480 Volts (60 Hz)	TL1000 TL1000 Wired Control System <a href="#">(Click here for specifications)</a>		FTP Flat Clear Textured Polycarbonate		TL2000 TL2000 Wireless Control System <a href="#">(Click here for specifications)</a>	<b>Distribution Type</b>	<b>Finish</b>	<b>Options</b>	<b>TLOS*</b> TL Sensor Only <a href="#">(Click here for specifications)</a>	A Aisle	DB Dark Bronze	LELC* Ceiling Mounted 20W Emergency Battery Backup (to view dimensional drawing <a href="#">click here</a> )	Please consult Kenall Applications when ordering Controls	2 Type II	GW Gloss White	LELP* Pendant Mounted 20W Emergency Battery Backup (to view dimensional drawing <a href="#">click here</a> )		3 Type III	LG Light Gray	2C† Two-Circuit Wiring		4 Type IV	MB Matte Black	BG Bird Guard		5N Type V – Narrow Round	MW Matte White	FS Single Fuse & Holder		5S Type V – Wide Square	CC Custom Color (Consult factory)	SCM4† Safety Cable Mount (4')			<b>Lamp Type</b>				300L35K 300 Watt 3500K LED (80 CRI)				300L40K 300 Watt 4000K LED (70 CRI)				300L40KH 300 Watt 4000K LED (80 CRI)				300L50K 300 Watt 5000K LED (70 CRI)				300L57K 300 Watt 5700K LED (70 CRI)				408L35K 408 Watt 3500K LED (80 CRI)				408L40K 408 Watt 4000K LED (70 CRI)				408L40KH 408 Watt 4000K LED (80 CRI)				408L50K 408 Watt 5000K LED (70 CRI)				408L57K 408 Watt 5700K LED (70 CRI)		
<b>Mounting</b>	<b>Lens Type</b>	<b>Voltage</b>	<b>TekLink</b>																																																																																																		
PM Pendant Mount	DTA Drop Clear Textured Acrylic	DV 120-277 Volts	TL50 TL50 Control System <a href="#">(Click here for specifications)</a>																																																																																																		
TK Trunnion Kit	DTP Drop Clear Textured Polycarbonate	347 347 Volts (60 Hz)	TL100 TL100 Control System <a href="#">(Click here for specifications)</a>																																																																																																		
HL Loop Hanger	FPA Flat Clear Textured Acrylic	480 480 Volts (60 Hz)	TL1000 TL1000 Wired Control System <a href="#">(Click here for specifications)</a>																																																																																																		
	FTP Flat Clear Textured Polycarbonate		TL2000 TL2000 Wireless Control System <a href="#">(Click here for specifications)</a>																																																																																																		
<b>Distribution Type</b>	<b>Finish</b>	<b>Options</b>	<b>TLOS*</b> TL Sensor Only <a href="#">(Click here for specifications)</a>																																																																																																		
A Aisle	DB Dark Bronze	LELC* Ceiling Mounted 20W Emergency Battery Backup (to view dimensional drawing <a href="#">click here</a> )	Please consult Kenall Applications when ordering Controls																																																																																																		
2 Type II	GW Gloss White	LELP* Pendant Mounted 20W Emergency Battery Backup (to view dimensional drawing <a href="#">click here</a> )																																																																																																			
3 Type III	LG Light Gray	2C† Two-Circuit Wiring																																																																																																			
4 Type IV	MB Matte Black	BG Bird Guard																																																																																																			
5N Type V – Narrow Round	MW Matte White	FS Single Fuse & Holder																																																																																																			
5S Type V – Wide Square	CC Custom Color (Consult factory)	SCM4† Safety Cable Mount (4')																																																																																																			
	<b>Lamp Type</b>																																																																																																				
	300L35K 300 Watt 3500K LED (80 CRI)																																																																																																				
	300L40K 300 Watt 4000K LED (70 CRI)																																																																																																				
	300L40KH 300 Watt 4000K LED (80 CRI)																																																																																																				
	300L50K 300 Watt 5000K LED (70 CRI)																																																																																																				
	300L57K 300 Watt 5700K LED (70 CRI)																																																																																																				
	408L35K 408 Watt 3500K LED (80 CRI)																																																																																																				
	408L40K 408 Watt 4000K LED (70 CRI)																																																																																																				
	408L40KH 408 Watt 4000K LED (80 CRI)																																																																																																				
	408L50K 408 Watt 5000K LED (70 CRI)																																																																																																				
	408L57K 408 Watt 5700K LED (70 CRI)																																																																																																				

- ▲ Used in conjunction with TL100
- † n/a with TK mounting
- ‡ Suitable for bi-level switching; n/a with TekLink Options
- ▼ Suitable for damp locations and 0°C-50°C ambient temperatures. N/A with 347V or 480V input voltages. Available only with 'PM' Mounting Type.



[www.kenall.com](http://www.kenall.com)

P: 800-4-Kenall

F: 262-891-9701

10200 55th Street Kenosha, Wisconsin 53144

When you see this image, you will know the Kenall product shown or described is designed and manufactured in the USA with components purchased from US suppliers, and meets the Buy American requirements under the ARRA. Kenall has not determined the origin of its domestically purchased components or the subcomponents thereof. May be covered by patents found at [www.kenall.com/patents](http://www.kenall.com/patents). Content of specification sheets is subject to change; please consult [www.kenall.com](http://www.kenall.com) for current product details. © 2018 Kenall Mfg. Co. All rights reserved.

HBMQ26-100918

# LED HIGH BAY MAX™ OUTPUT

## Luminaires for High Bay Applications

### HBMO SERIES

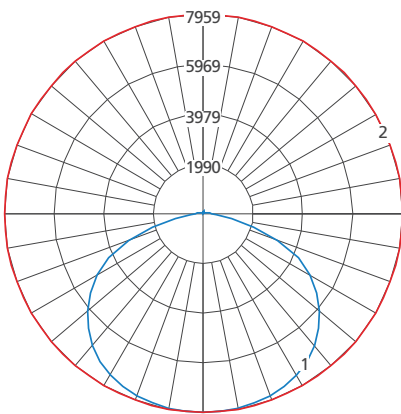
#### PERFORMANCE

Lamp Type	Initial Delivered Lumens				Input Power (W)	Drive Current (mA)	Estd. L <sub>70</sub> LED Life (hrs)
	Type 5N DTA		Type 5N FTA				
	@25°C (lm)	Efficacy (lm/W)	@25°C (lm)	Efficacy (lm/W)			
300L57K	30,212	89	29,254	86	340	1050	80,000
408L57K	35,487	79	34,361	76	451	1400	50,000
300L50K	29,906	88	28,958	85	340	1050	80,000
408L50K	35,128	78	34,014	75	451	1400	50,000
300L40K	28,066	83	27,176	80	340	1050	80,000
408L40K	32,966	73	31,921	71	451	1400	50,000
300L40KH	26,225	77	25,394	75	340	1050	80,000
408L40KH	30,804	68	29,827	66	451	1400	50,000
300L35K	26,225	77	25,394	75	340	1050	80,000
408L35K	30,804	68	29,827	66	451	1400	50,000

Lamp Type	Initial Delivered Lumens				Input Power (W)	Drive Current (mA)	Estd. L <sub>70</sub> LED Life
	Type 5S DTA		Type 5S FTA				
	@25°C (lm)	Efficacy (lm/W)	@25°C (lm)	Efficacy (lm/W)			
300L57K	28,807	85	27,094	80	340	1050	80,000
408L57K	33,695	75	31,692	70	451	1400	50,000
300L50K	28,516	84	26,820	79	340	1050	80,000
408L50K	33,355	74	31,372	70	451	1400	50,000
300L40K	26,761	79	25,170	74	340	1050	80,000
408L40K	31,302	69	29,441	65	451	1400	50,000
300L40KH	25,006	74	23,520	69	340	1050	80,000
408L40KH	29,249	65	27,511	61	451	1400	50,000
300L35K	25,006	74	23,520	69	340	1050	80,000
408L35K	29,249	65	27,511	61	451	1400	50,000

Displayed information above is for luminaires within a 25° ambient environment. Additional optical distributions are also available. Visit [www.kenall.com](http://www.kenall.com) for IES files and additional information.

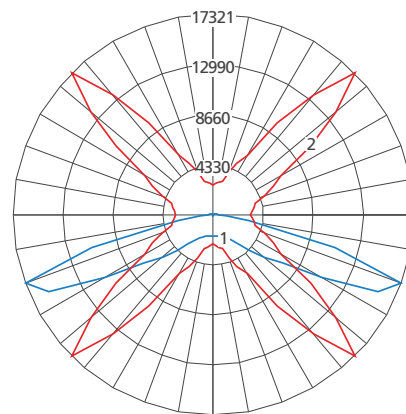
Model: HBMO26-PM-5N-DTA-MW-300L40K-DV



Maximum Candela = 7959 Located At Horizontal Angle = 0, Vertical Angle = 0

- 1 - Vertical Plane Through Horizontal Angles (0-180) (Through Max. Cd.)
- 2 - Horizontal Cone Through Vertical Angle (0) (Through Max. Cd.)

Model: HBMO26-PM-5S-DTA-MW-300L40K-DV



Maximum Candela = 17,321 Located At Horizontal Angle = 45, Vertical Angle = 70

- 1 - Vertical Plane Through Horizontal Angles (45-225) (Through Max. Cd.)
- 2 - Horizontal Cone Through Vertical Angle (70) (Through Max. Cd.)



[www.kenall.com](http://www.kenall.com)

P: 800-4-Kenall

F: 262-891-9701

10200 55th Street Kenosha, Wisconsin 53144

When you see this image, you will know the Kenall product shown or described is designed and manufactured in the USA with components purchased from US suppliers, and meets the Buy American requirements under the ARRA. Kenall has not determined the origin of its domestically purchased components or the subcomponents thereof. May be covered by patents found at [www.kenall.com/patents](http://www.kenall.com/patents). Content of specification sheets is subject to change; please consult [www.kenall.com](http://www.kenall.com) for current product details. © 2018 Kenall Mfg. Co. All rights reserved.

HBMO26-100918

# LED HIGH BAY MAX™ OUTPUT

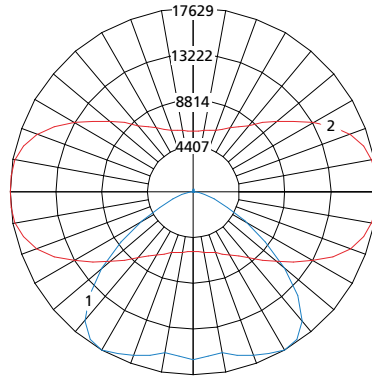
## Luminaires for High Bay Applications

### HBMO SERIES

#### PERFORMANCE

Lamp Type	Initial Delivered Lumens				Input Power (W)	Drive Current (mA)	Estd. L <sub>70</sub> LED Life (hrs)
	Type A DTA		Type A FTA				
	@25°C (lm)	Efficacy (lm/W)	@25°C (lm)	Efficacy (lm/W)			
300L57K	28,963	85	29,955	88	340	1050	80,000
408L57K	32,132	71	32,125	71	451	1400	50,000
300L50K	27,912	82	28,867	85	340	1050	80,000
408L50K	30,966	69	30,958	69	451	1400	50,000
300L40K	26,194	77	27,091	80	340	1050	80,000
408L40K	31,413	70	31,406	70	451	1400	50,000
300L40KH	24,476	72	25,315	74	340	1050	80,000
408L40KH	29,353	65	29,347	65	451	1400	50,000
300L35K	24,476	72	25,315	74	340	1050	80,000
408L35K	29,353	65	29,347	65	451	1400	50,000

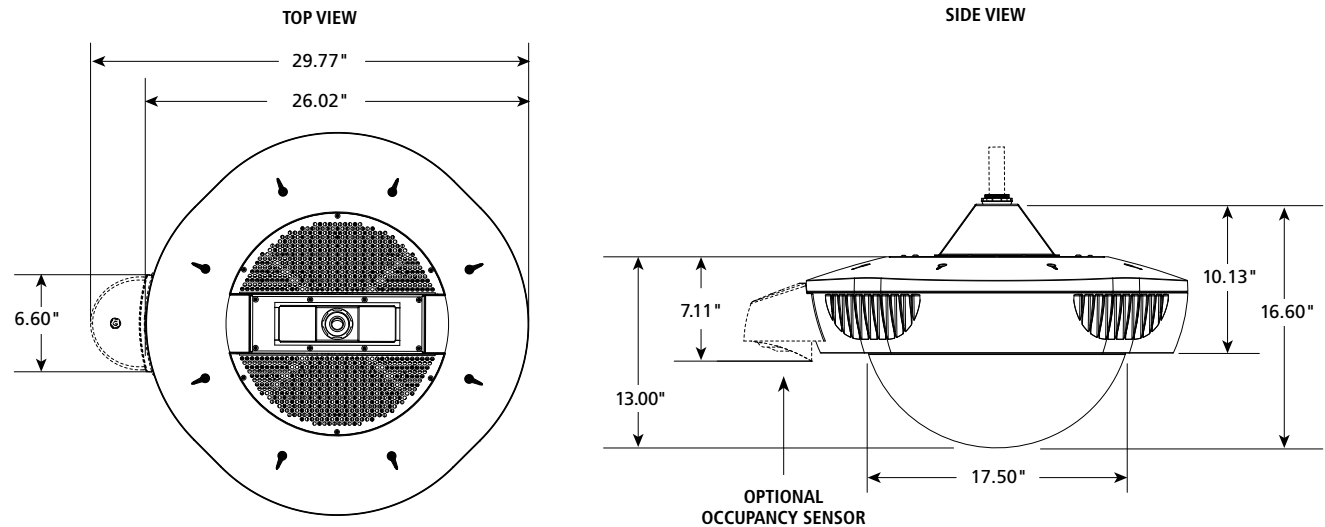
Model: HBMO26-PM-A-FTA-MW-300L40K-DV



Max Candela = 17629 Located At Horizontal Angle = 5, Vertical Angle = 30

- 1 - Vertical Plane Through Horizontal Angles (5 - 185) (Through Max. Cd.)
- 2 - Horizontal Cone Through Vertical Angle (30) (Through Max. Cd.)

#### DIMENSIONAL DATA



[www.kenall.com](http://www.kenall.com)

P: 800-4-Kenall

F: 262-891-9701

10200 55th Street Kenosha, Wisconsin 53144

When you see this image, you will know the Kenall product shown or described is designed and manufactured in the USA with components purchased from US suppliers, and meets the Buy American requirements under the ARRA. Kenall has not determined the origin of its domestically purchased components or the subcomponents thereof. May be covered by patents found at [www.kenall.com/patents](http://www.kenall.com/patents). Content of specification sheets is subject to change; please consult [www.kenall.com](http://www.kenall.com) for current product details. © 2018 Kenall Mfg. Co. All rights reserved.

HBMO26-100918