

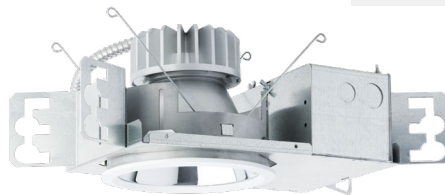
MILLENIUM DOWNLIGHT

Luminaires for High Abuse Applications

HADL SERIES using Indigo-Clean Technology

PRODUCT FEATURES:

- » 6" sealed, recessed downlight with flush lens trim
- » Provides on-demand environmental disinfection via LED light
- » Single, white disinfection mode
- » Independent laboratory tested to kill harmful bacteria, including Staph*, such as MRSA**
- » Peace of Mind Guarantee™ against breakage
- » Delivered lumens: 1,134 - 2,664 lm



PROJECT INFORMATION

Job Name _____
 Fixture Type _____
 Catalog Number _____
 Approved by _____

SPECIFICATIONS

HEAT SINK: Die-cast aluminum with external radial fins for natural convection.

ROUGH-IN FRAME: 18-gauge die-formed, corrosion-resistant steel. Vertically adjustable collar accommodates ceiling thicknesses up to 2", adjustable post-installation. Universal mounting brackets accept 3/4" and 1-1/2" lathers channel, 1/2" EMT conduit and hanger bars. Quick-access junction box accessible post-installation from above and below ceiling. Includes (4) 1/2" and (2) 3/4" knock-outs to allow straight conduit runs. Listed for (8) 12AWG, 90°C conductors and feed-thru branch wiring. Provided with FMC with electrical quick-connect to Trim Section.

TRIM/HOUSING SECTION: IP-rated housing section incorporates the heat sink, LED module, optics and lower trim. Flush lens trim secured with four (4) Torx® tamper-resistant, captive fasteners.

OPTICAL: High-efficiency mixing chamber design with regressed diffused tempered-glass lens produces uniform light output. Available with various reflector distribution patterns and finishes. Clear lens is sealed to trim ring. See distribution and reflector finish Ordering Information for available options.

ELECTRICAL: Single, white disinfection mode. Serviceable white and 405nm Indigo LED array. Available 3200K, 3700K and 4300K color temperature with 3-step MacAdam variation allowance. Minimum 82 CRI standard. 120-277VAC and 347VAC, 50/60Hz electrical input with serviceable high power factor electronic, constant-current drivers (<10% THD, >0.90 PF). Minimum 85% driver efficiency. Standard 0-10V dimming with 1-100% range and dim-to-dark capabilities (non dim-to-dark with 347V); 165µA maximum source current. Optional eldoLED ECOdrive DALI driver with 1-100% range and Lutron Hi-Lume 1% EcoSystem LED driver with Soft-on, Fade-to-Black dimming technology.

PHOTOMETRICS: Photometry tested to the IESNA LM-79-08 standard by an ILAC/ISO17025 accredited laboratory. For photometric information, go to www.kenall.com.

WARRANTY: Limited five (5) year LED warranty.

INSTALLATION: Suitable for ambient temperature temperatures of -30°C to +40°C.

LISTINGS: Luminaire is certified to UL standards by Intertek Testing Laboratory for non-IC and Wet Location installations. IP65 rating per IEC60598. Optional CCEA compliance. EPA Est. No. 99283-WI-1.

* Per independent lab report #5G5-09517036476. Contact Kenall for a copy of this report.

** Antimicrobial Activity of a Continuous Visible Light Disinfection System by Rutala, et. al, ID Week 2016.



ORDERING INFORMATION (EX: HADL6-FF-2FW-38C-43K8-W-CSS-G-RIG6-DV-DIM1)

TRIM

Model	Trim Style	Trim Finish	Lamp Power	Lamp Color	Distribution	Reflector Finish	Flush Lens Type
-------	------------	-------------	------------	------------	--------------	------------------	-----------------

HADL6

FF

Trim Style

FF Flush Lens (With Fasteners - IP65)

Trim Finish

2FW Cold-Rolled Steel in Flat White
5BR Type 304 Stainless Steel with 4B Brushed Finish
5FW Type 304 Stainless Steel in Flat White

Lamp Power

22C 22 Watt White & Indigo LED
38C† 38 Watt White & Indigo LED

Lamp Color

32K8 3200K / 80 CRI min.
37K8 3700K / 80 CRI min.
43K8 4300K / 80 CRI min.

Distribution

M Medium
W Wide

Reflector Finish

FW Flat White
CS Clear Specular
CSS Clear Semi-Specular

Flush Lens Type

G 1/8" Clear Polycarbonate
9 1/4" Clear Polycarbonate

ROUGH-IN

Rough-In	Input Voltage	Driver Type	Options
----------	---------------	-------------	---------

RIG6

Rough-In

RIG6 6" Rough-In

Input Voltage

DV 120-277V, 50/60Hz
120 120VAC, 60Hz
277 277VAC, 60Hz
347▲ 347VAC, 60Hz

Driver Type

DIM1 0-10V Dimming to 1%
DALI DALI Dimming to 1%
ECO1 Lutron Hi-Lume 1% EcoSystem®

Options

LEL Emergency Battery Backup with Remote Test Switch
FS Fuse & Holder
CCEA CCEA Approved (specified voltage required; n/a 347V)

- ▲ N/A with DALI or ECO1 Driver Type. N/A with LEL option
- † Must be installed with a minimum 24" on-center spacing, 12" from wall, and have 3" clearance above the Trim/Housing



www.kenall.com | P: 800-4-Kenall | F: 262-891-9701 | 10200 55th Street Kenosha, Wisconsin 53144, USA

A brand of **legrand**

This product complies with the Buy American Act: manufactured in the United States with more than 50% of the component cost of US origin. It may be covered by patents found at www.kenall.com/patents. Content of specification sheets is subject to change; please consult www.kenall.com for current product details. ©2019 Kenall Mfg. Co.

HADL6-ICT-010521

MILLENNIUM DOWNLIGHT

Luminaires for High Abuse Applications

HADL SERIES using Indigo-Clean Technology

PERFORMANCE

Optic			Lamp Power	Initial Delivered Lumens, By Lamp Color			Input Power (W)	Estd. L70 LED Life (hrs)
Distribution	Reflector Finish	Lens Type		32K8	37K8	43K8		
M	CS	G	22C	1,389	1,389	1,479	24	80,000
			38C	2,223	2,223	2,367	45	75,000
		9	22C	1,223	1,223	1,302	24	80,000
			38C	1,957	1,957	2,084	45	75,000
	CSS	G	22C	1,304	1,304	1,388	24	80,000
			38C	2,087	2,087	2,222	45	75,000
		9	22C	1,148	1,148	1,222	24	80,000
			38C	1,837	1,837	1,956	45	75,000
	FW	G	22C	1,288	1,288	1,371	24	80,000
			38C	2,061	2,061	2,195	45	75,000
		9	22C	1,134	1,134	1,207	24	80,000
			38C	1,815	1,815	1,932	45	75,000
W	CS	G	22C	1,563	1,563	1,665	24	80,000
			38C	2,502	2,502	2,664	45	75,000
		9	22C	1,376	1,376	1,466	24	80,000
			38C	2,203	2,203	2,346	45	75,000
	CSS	G	22C	1,327	1,327	1,413	24	80,000
			38C	2,124	2,124	2,261	45	75,000
		9	22C	1,168	1,168	1,244	24	80,000
			38C	1,870	1,870	1,991	45	75,000
	FW	G	22C	1,470	1,470	1,566	24	80,000
			38C	2,353	2,353	2,506	45	75,000
		9	22C	1,294	1,294	1,378	24	80,000
			38C	2,072	2,072	2,206	45	75,000

Subject to change without notice. Visit www.kenall.com for ies files and additional information.



MILLENIUM DOWNLIGHT

Luminaires for High Abuse Applications

HADL SERIES using Indigo-Clean Technology

PERFORMANCE

Wide Distribution Candela Curve	HADL6-FF-22C-37K8-W-CS-G		Distance to illuminated plane (ft)	HADL6-FF-22C-37K8-M-CS-G		Medium Distribution Candela Curve
	Initial center beam foot-candles	Beam diameter (ft)		Initial center beam foot-candles	Beam diameter (ft)	
	36.2	7.7	5'	110.1	3.2	
	28.7	7.8	6'	76.4	3.5	
	21.0	9.2	7'	56.2	4.0	
	16.1	10.5	8'	43.0	4.6	
	12.8	11.6	9'	34.0	5.2	
	10.3	13.0	10'	27.5	5.8	
Spacing Criteria: 1.4	foot-candle multipliers for 32K8(1.0), 43K8(1.1)					Spacing Criteria: 0.62
Beam Angle: 59°	Beam diameter is where foot-candles drop to 50% of maximum					Beam Angle: 34°

Wide Distribution Candela Curve	HADL6-FF-38C-37K8-W-CS-G		Distance to illuminated plane (ft)	HADL6-FF-38C-37K8-M-CS-G		Medium Distribution Candela Curve
	Initial center beam foot-candles	Beam diameter (ft)		Initial center beam foot-candles	Beam diameter (ft)	
	58.0	7.7	5'	176.1	3.2	
	45.9	7.8	6'	122.3	3.5	
	33.6	9.2	7'	89.9	4.0	
	25.7	10.5	8'	68.8	4.6	
	20.5	11.6	9'	54.4	5.2	
	16.6	13.0	10'	44.0	5.8	
Spacing Criteria: 1.4	foot-candle multipliers for 32K8(1.0), 43K8(1.1)					Spacing Criteria: 0.62
Beam Angle: 59°	Beam diameter is where foot-candles drop to 50% of maximum					Beam Angle: 34°



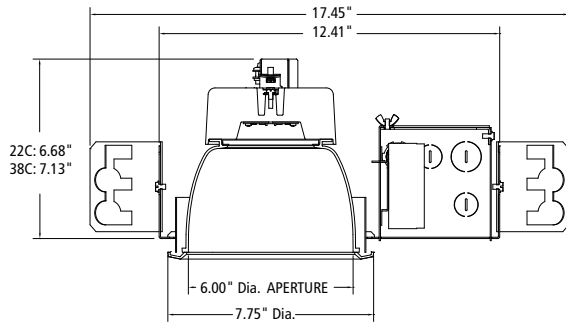
MILLENIUM DOWNLIGHT

Luminaires for High Abuse Applications

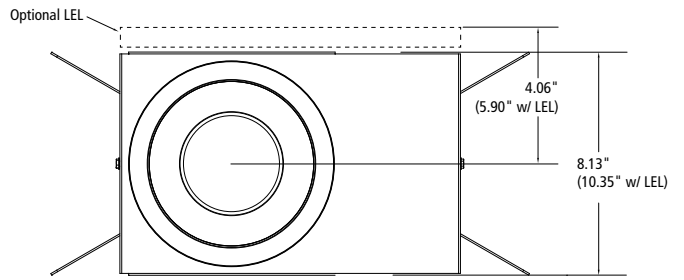
HADL SERIES using Indigo-Clean Technology

DIMENSIONAL DATA

CROSS SECTION



BOTTOM VIEW



RECOMMENDED CEILING CUT-OUT: 7.38" Dia.



www.kenall.com | P: 800-4-Kenall | F: 262-891-9701 | 10200 55th Street Kenosha, Wisconsin 53144, USA

A brand of **legrand**

This product complies with the Buy American Act: manufactured in the United States with more than 50% of the component cost of US origin. It may be covered by patents found at www.kenall.com/patents. Content of specification sheets is subject to change; please consult www.kenall.com for current product details. ©2019 Kenall Mfg. Co.