

# MILLENNIUM FREESCALE™

## FS548 SERIES

### PRODUCT FEATURES:

- » Surface mount – wall or ceiling; 8"W×53"L×4"D
- » Marine grade aluminum baseplate
- » Round or Triangle 100% DR acrylic lens options with multiple lens frame styles
- » ADA Compliant
- » UL certified IP65 per IEC 60598



### PROJECT INFORMATION

Job Name \_\_\_\_\_

Fixture Type \_\_\_\_\_

Catalog Number \_\_\_\_\_

Approved by \_\_\_\_\_

### SPECIFICATIONS

**BASEPLATE:** Die-formed marine grade aluminum; welded corners. Baseplate provided with six-point mounting holes, one wireway hole. TGIC Polyester powder coat – 5-stage pre-treatment; Salt spray test: 1,000 hours.

**REFLECTOR:** Die-formed marine grade aluminum. Full reflector/wire cover – 92% reflectivity.

**LENS:** UV-stabilized, high impact resistant, pressure formed pearlescent 100% DR acrylic. Nominal thickness .125". Lens secured in place by lens frame and sealed to baseplate with closed cell silicone gasket.

**LENS FRAME/CROSS BARS:** Marine grade aluminum; secured to baseplate with tamper-resistant stainless steel Torx® with center pin fasteners. Cross bars nominal thickness .25". Post assembly TGIC polyester powder coat – 5-stage pre-treatment; Salt spray test: 1,000 hours. Optional perf insert 30% open, stainless steel.

**HARDWARE:** Six stainless steel Torx® with center pin fasteners. Internal brackets and fasteners are non-corrosive. Surface Conduit Adapter (SCA) accessory – stainless steel trim frame assembly with integral J-box; finished to match lens frame (not available with CA finish). Watertight conduit fittings supplied by others. Rough Service Adapter (RSA) accessory – stainless steel plate (adds .625" height) finished to match lens frame (n/a with CA finish). Stainless steel fasteners provided for mounting fixture to RSA or SCA.

**ELECTRICAL:** Available 3000K, 3500K, 4000K and 5000K color temperatures, 82 CRI. 120-277VAC, or 347VAC 50/60Hz electrical input with serviceable high power factor electronic, constant-current driver (<20% THD, >0.95 PF). Standard 0-10V dimming with 1-100% range and dim-to-dark capabilities (non dim-to-dark with 347V); 165µA max. source current. Consult factory for fluorescent option.

**INSTALLATION:** Standard six-point mounting required for Peace of Mind Guarantee®.

**PHOTOMETRICS:** Photometry tested to the IESNA LM-79-08 standard by an ILAC/ISO17025 accredited laboratory. For photometric information, go to [www.kenall.com](http://www.kenall.com).

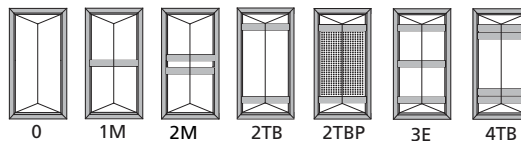
**WARRANTY:** Limited five (5) year LED warranty. Peace of Mind Guarantee against breakage.



### ORDERING INFORMATION (Ex: FS548T-1M-PIA-MB-45L40K-1-120-FS)

Model	Lens Frame	Lens Type	Finish	Lamp Type	Lamp Qty	Voltage	Options	Accessories
					<b>1</b>			
<b>Model</b>					<b>Lamp Quantity</b>		<b>Options</b>	
FS548R 5"×48" Round			<b>BR</b> Bronze		1 One Lamp		<b>FS</b> Single Fuse & Holder (n/a w/347V)	
FS548T 5"×48" Triangle			<b>CS</b> Cool Satin Aluminum				<b>PH</b> Phillips Head Fasteners	
			<b>DB</b> Dark Bronze		<b>Voltage</b>		<b>PC</b> Photo Control with deep housing surface adapter (n/a with 347V or DV)	
			<b>FG</b> Forest Green		120 120 Volts			
			<b>LG</b> Light Gray		277 277 Volts			
<b>Lens Frame</b>			<b>MB</b> Matte Black		347▲ 347 Volts		<b>Accessories</b>	
0 No Bars			<b>MW</b> Matte White		DV 120-277 Volts		<b>SCA</b> Surface Conduit Adapter (not ADA compliant)	
1M One Bar – Middle			<b>WS</b> Warm Satin Aluminum				<b>RSA</b> Rough Surface Adapter (not ADA compliant)	
2M Two Bars – Middle			<b>CC</b> Custom Color (Consult factory)				<b>9500</b> Torx® Screwdriver	
2TB Two Bars – Top & Bottom							<b>D-0552</b> Torx® Driver Bit	
2TBP Two Horizontal Bars w/Perf								
3E Three Bars – Even Spaced								
4TB Four Bars – Top & Bottom								
			<b>Lamp Type</b>					
			45L30K 45 Watt 3000K LED					
			45L35K 45 Watt 3500K LED					
			45L40K 45 Watt 4000K LED					
			45L50K 45 Watt 5000K LED					
<b>Lens Type</b>								
PIA Pearlescent High Impact 100% DR Acrylic								
MPA Matte Pearlescent High Impact 100% DR Acrylic								

### LENS FRAME



www.kenall.com | P: 800-4-Kenall | F: 262-891-9701 | 10200 55th Street Kenosha, Wisconsin 53144, USA

A brand of **legrand**

This product complies with the Buy American Act: manufactured in the United States with more than 50% of the component cost of US origin. It may be covered by patents found at [www.kenall.com/patents](http://www.kenall.com/patents). Content of specification sheets is subject to change; please consult [www.kenall.com](http://www.kenall.com) for current product details. ©2019 Kenall Mfg. Co.

# MILLENIUM FREESCALE™

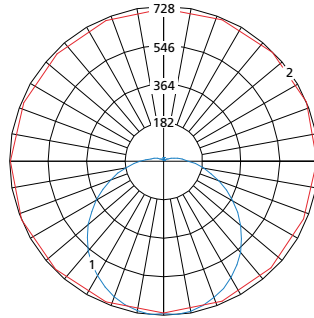
## FS548 SERIES – Technical Data

### PERFORMANCE

Lamp Type	Initial Delivered Lumens		Input Power (W)	Drive Current (mA)	Estd. L70 LED Life (Hrs)
	@ 25°C	Efficacy (lm/W)			
45L30K	2,897	59	49	94	80,000
45L35K	2,986	61			
45L40K	3,088	63			
45L50K	3,212	66			

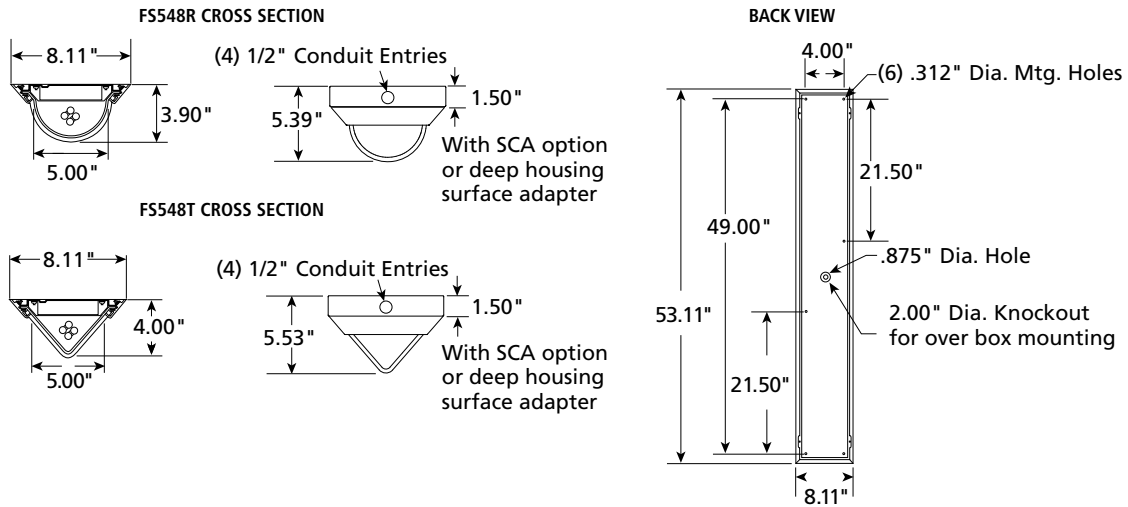
Displayed info is for PIA lens only. Infor subject to change. Visit [www.kenall.com](http://www.kenall.com) for IES files and additional information.

Model: FS548T-2TB-PIA-MW-45L40K-1-120



Maximum Candela = 728 Located At Horizontal Angle = 22.5, Vertical Angle = 5  
 1 - Vertical Plane Through Horizontal Angles (22.5-202.5) (Through Max. Cd.)  
 2 - Horizontal Cone Through Vertical Angle (5) (Through Max. Cd.)

### DIMENSIONAL DATA



[www.kenall.com](http://www.kenall.com) | P: 800-4-Kenall | F: 262-891-9701 | 10200 55th Street Kenosha, Wisconsin 53144, USA

A brand of **legrand**

This product complies with the Buy American Act: manufactured in the United States with more than 50% of the component cost of US origin. It may be covered by patents found at [www.kenall.com/patents](http://www.kenall.com/patents). Content of specification sheets is subject to change; please consult [www.kenall.com](http://www.kenall.com) for current product details. ©2019 Kenall Mfg. Co.