

MILLENNIUM FREESCALE™

FS524 SERIES

PRODUCT FEATURES:

- » Surface mount – wall or ceiling; 5"W×29"L×4"D
- » Marine grade aluminum baseplate
- » Round or Triangle 100% DR acrylic lens options with multiple lens frame styles
- » ADA Compliant
- » UL certified IP65 per IEC 60598



FS524R FS524T

PROJECT INFORMATION

Job Name _____

Fixture Type _____

Catalog Number _____

Approved by _____

SPECIFICATIONS

BASEPLATE: Die-formed marine grade aluminum; welded corners. Provided with four-point mounting holes, one wireway holes. TGIC Polyester powder coat – 5-stage pre-treatment; Salt spray test: 1,000 hours.

REFLECTOR: Die-formed marine grade aluminum. Full reflector/wire cover – 92% reflectivity.

LENS: UV-stabilized, high impact resistant, pressure formed pearlescent 100% DR acrylic. Nominal thickness .125". Lens secured in place by lens frame and sealed to baseplate with closed cell silicone gasket.

LENS FRAME/CROSS BARS: Marine grade aluminum; secured to baseplate with tamper-resistant stainless steel Torx® with center pin fasteners. Cross bars nominal thickness .25". Post assembly TGIC polyester powder coat - 5-stage pre-treatment; Salt spray test: 1,000 hours. Optional perf insert 30% open, stainless steel.

HARDWARE: Four stainless steel Torx® with center pin fasteners. Internal brackets and fasteners are non-corrosive. Surface Conduit Adapter (SCA) accessory – stainless steel trim frame assembly with integral J-box; finished to match lens frame (not available with CA finish). Watertight conduit fittings supplied by others. Rough Service Adapter (RSA) accessory – stainless steel plate (adds .625" height) finished to match lens frame (not available with CA finish). Stainless steel fasteners provided for mounting fixture to RSA or SCA.

ELECTRICAL: Available 3500K, 4000K and 5000K color temperatures, 82 CRI. 120-277VAC, 50/60Hz electrical input with serviceable high power factor electronic, constant-current driver (<20% THD, >0.95 PF). Standard 0-10V dimming with 10-100% range, maximum driver source of 500 µA. Consult factory for fluorescent option.

INSTALLATION: Standard four-point mounting required for Peace of Mind Guarantee®.

PHOTOMETRICS: Photometry tested to the IESNA LM-79-08 standard by an ILAC/ISO17025 accredited laboratory. For photometric information, go to www.kenall.com.

WARRANTY: Limited five (5) year LED warranty.

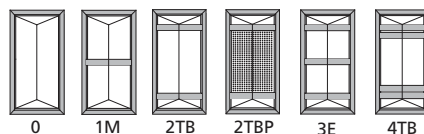
LISTINGS: UL and CUL listed for Wet Location. UL certified IP65 in compliance with IEC 60598. ADA Compliant.



ORDERING INFORMATION (Ex: FS524R-3E-PIA-DB-25L40K-1-120)

Model	Lens Frame	Lens Type	Finish	Lamp Type	Lamp Qty	Voltage	Options	Accessories
					1			
Model				Lamp Type			Options	
FS524R 5"×24" Round				25L35K 25 Watt 3500K LED			FS Single Fuse & Holder (n/a with 347V)	
FS524T 5"×24" Triangle				25L40K 25 Watt 4000K LED			PH Phillips Head Fasteners	
				25L50K 25 Watt 5000K LED			PC‡ Photo Control with deep housing surface adapter (n/a with 347V or DV)	
Lens Frame				Lamp Quantity			Accessories	
0 No Bars				1 One Lamp			SCA▼ Surface Conduit Adapter (not ADA compliant)	
1M One Bar - Middle							RSA▼ Rough Surface Adapter (not ADA compliant)	
2TB Two Bars - Top & Bottom				Voltage			9500 Torx® Screwdriver	
2TBP Two Horizontal Bars w/Perf				120 120 Volts			D-0552 Torx® Driver Bit	
3E Three Bars - Even Spaced				277 277 Volts				• Vertical wall or ceiling mount only
4TB Four Bars - Top & Bottom				347▲ 347 Volts				▲ n/a with LED
				DV 120-277 Volts				▼ n/a with option(s) that require deep housing surface adapter
Lens Type								
PIA Pearlescent High Impact 100% DR Acrylic								
MPA Matte Pearlescent High Impact 100% DR Acrylic								
Finish								
BR Bronze								
CS Cool Satin Aluminum								
DB Dark Bronze								
FG Forest Green								
LG Light Gray								
MB Matte Black								
MW Matte White								
WS Warm Satin Aluminum								
CC Custom Color (Consult factory)								

LENS FRAME



www.kenall.com | P: 800-4-Kenall | F: 262-891-9701 | 10200 55th Street Kenosha, Wisconsin 53144, USA

A brand of **legrand**

This product complies with the Buy American Act: manufactured in the United States with more than 50% of the component cost of US origin. It may be covered by patents found at www.kenall.com/patents. Content of specification sheets is subject to change; please consult www.kenall.com for current product details. ©2019 Kenall Mfg. Co.

MILLENNIUM FREESCALE™

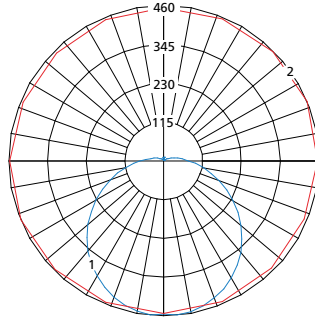
FS524 SERIES – Technical Data

PERFORMANCE

Lamp Type	Initial Delivered Lumens		Input Power (W)	Drive Current (mA)	Estd. L70 LED Life (Hrs)
	@ 25°C	Efficacy (lm/W)			
25L35K	1830	63	29	94	80,000
25L40K	1951	67	29	94	80,000
25L50K	2029	70	29	94	80,000

Displayed info is for PIA lens only. Infor subject to change. Visit www.kenall.com for IES files and additional information.

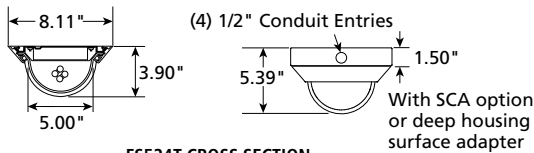
Model: FS524T-2TB-PIA-MW-25L40K-1-120



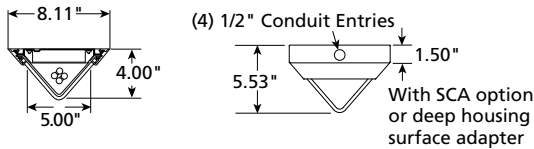
Maximum Candela = 460 Located At Horizontal Angle = 22.5, Vertical Angle = 5
 1 - Vertical Plane Through Horizontal Angles (22.5-202.5) (Through Max. Cd.)
 2 - Horizontal Cone Through Vertical Angle (5) (Through Max. Cd.)

DIMENSIONAL DATA

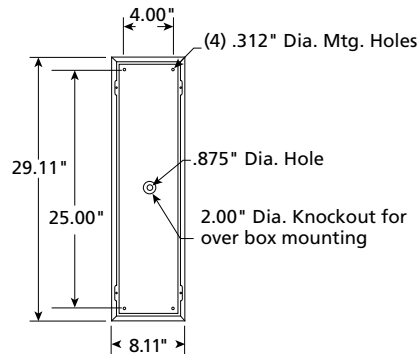
FS524R CROSS SECTION



FS524T CROSS SECTION



BACK VIEW



www.kenall.com | P: 800-4-Kenall | F: 262-891-9701 | 10200 55th Street Kenosha, Wisconsin 53144, USA

A brand of **legrand**

This product complies with the Buy American Act: manufactured in the United States with more than 50% of the component cost of US origin. It may be covered by patents found at www.kenall.com/patents. Content of specification sheets is subject to change; please consult www.kenall.com for current product details. ©2019 Kenall Mfg. Co.