

# MILLENNIUM FREESCALE™

## FS1248 SERIES

### PRODUCT FEATURES:

- » Surface mount – wall or ceiling; 15"W×53"H×8"D
- » Marine grade aluminum baseplate
- » Round or Triangle 100% DR acrylic lens options with multiple Lens Frames
- » UL certified IP65 per IEC 60598



### PROJECT INFORMATION

Job Name \_\_\_\_\_

Fixture Type \_\_\_\_\_

Catalog Number \_\_\_\_\_

Approved by \_\_\_\_\_

### SPECIFICATIONS

**BASEPLATE:** Die-formed marine grade aluminum; welded corners. Baseplate provided with six-point mounting holes, one wireway hole – see Cross Section/Details. TGIC Polyester powder coat – 5-stage pre-treatment; Salt spray test: 1,000 hours.

**REFLECTOR:** Die-formed marine grade aluminum. Full reflector/wire cover – 92% reflectivity.

**LENS:** UV-stabilized, high impact resistant, pressure formed pearlescent 100% DR acrylic. Nominal thickness .125". Lens secured in place by lens frame and sealed to baseplate with closed cell silicone gasket.

**LENS FRAME/CROSS BARS:** Marine grade aluminum; secured to baseplate with tamper-resistant stainless steel Torx® with center pin fasteners. Cross bars nominal thickness .25". Post assembly TGIC polyester powder coat – 5-stage pre-treatment; Salt spray test: 1,000 hours. Optional perf insert 30% open, stainless steel. See Ordering Information for standard, optional, architectural, and custom finishes.

**HARDWARE:** Six stainless steel Torx® with center pin fasteners. Internal brackets and fasteners are non-corrosive. Surface Conduit Adapter (SCA) accessory – stainless steel trim frame assembly with integral J-box; finished to match lens frame (not available with CA finish). Water-tight conduit fittings supplied by others. Rough Service Adapter (RSA) accessory – stainless steel plate (adds .625" height) finished to match lens frame (not available with CA finish). Stainless steel fasteners provided for mounting fixture to RSA or SCA.

**ELECTRICAL:** Available 3500K, 4000K and 5000K color temperatures, 82 CRI. 120-277VAC, or 347VAC 50/60Hz electrical input with serviceable high power factor electronic, constant-current driver (<20% THD, >0.95 PF). Standard 0-10V dimming with 1-100% range and dim-to-dark capabilities (non dim-to-dark with 347V); 330µA max. source current. Consult factory for fluorescent option.

**INSTALLATION:** Standard six-point mounting required for Peace of Mind Guarantee®.

**PHOTOMETRICS:** Photometry tested to the IESNA LM-79-08 standard by an ILAC/ISO17025 accredited laboratory. For photometric information, go to [www.kenall.com](http://www.kenall.com).

**WARRANTY:** limited five (5) year LED warranty.

**LISTINGS:** Luminaire certified to UL standards by Intertek Testing Laboratory for Wet Locations. ETL certified IP65 per IEC 60598. .

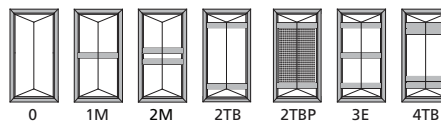


### ORDERING INFORMATION (Ex: FS1248T-2TB-PIA-MW-90L40K-1-277-FS)

Model	Lens Frame	Lens Type	Finish	Lamp Type	Voltage	Options	Accessories
<b>Model</b>			<b>Finish</b>		<b>Voltage</b>		
<b>FS1248R</b>	Round		<b>BR</b> Bronze		<b>120</b> 120 Volts		
<b>FS1248T</b>	Triangle		<b>CS</b> Cool Satin Aluminum		<b>277</b> 277 Volts		
<b>Lens Frame</b>			<b>DB</b> Dark Bronze		<b>347</b> 347 Volts		
<b>0</b>	No Bars		<b>FG</b> Forest Green		<b>DV</b> 120-277 Volts		
<b>1M</b>	One Bar – Middle		<b>LG</b> Light Gray		<b>Options</b>		
<b>2M</b>	Two Bars – Middle		<b>MB</b> Matte Black		<b>FS</b> Single Fuse & Holder (n/a with 347V)		
<b>2TB</b>	Two Bars – Top & Bottom		<b>MW</b> Matte White		<b>PH</b> Phillips Head Fasteners		
<b>2TBP</b>	Two Horizontal Bars w/Perf		<b>WS</b> Warm Satin Aluminum		<b>PC</b> Photo Control with deep housing surface adapter (n/a with DV)		
<b>3E</b>	Three Bars – Even Spaced		<b>CC</b> Custom Color (Consult factory)		<b>Accessories</b>		
<b>4TB</b>	Four Bars – Top & Bottom				<b>SCA</b> Surface Conduit Adapter		
<b>Lens Type</b>				<b>Lamp Type</b>	<b>RSA</b> Rough Surface Adapter		
<b>PIA</b>	Pearlescent High Impact 100% DR Acrylic			<b>90L35K</b> 90 Watt 3500K LED	<b>9500</b> Torx® Screwdriver		
<b>MPA</b>	Matte Pearlescent High Impact 100% DR Acrylic			<b>90L40K</b> 90 Watt 4000K LED	<b>D-0552</b> Torx® Driver Bit		
				<b>90L50K</b> 90 Watt 5000K LED			

▼ n/a with option(s) that require deep housing surface adapter

### LENS FRAME



[www.kenall.com](http://www.kenall.com) | P: 800-4-Kenall | F: 262-891-9701 | 10200 55th Street Kenosha, Wisconsin 53144, USA

A brand of **legrand**

This product complies with the Buy American Act: manufactured in the United States with more than 50% of the component cost of US origin. It may be covered by patents found at [www.kenall.com/patents](http://www.kenall.com/patents). Content of specification sheets is subject to change; please consult [www.kenall.com](http://www.kenall.com) for current product details. ©2019 Kenall Mfg. Co.

# MILLENNIUM FREESCALE™

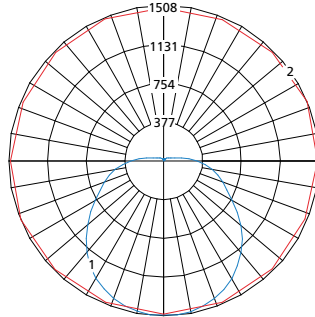
## FS1248 SERIES – Technical Data

### PERFORMANCE

Lamp Type	Initial Delivered Lumens		Input Power (W)	Drive Current (mA)	Estd. L70 LED Life (Hrs)
	@ 25°C	Efficacy (lm/W)			
90L35K	7016	72	98	94	60,000
90L40K	7480	76	98	94	60,000
90L50K	7779	79	98	94	60,000

Displayed info is for PIA lens only. Infor subject to change. Visit [www.kenall.com](http://www.kenall.com) for IES files and additional information.

Model: FS1248T-2TB-PIA-MB-90L40K-DV



Maximum Candela = 1508 Located At Horizontal Angle = 22.5, Vertical Angle = 5

- 1 - Vertical Plane Through Horizontal Angles (22.5-202.5) (Through Max. Cd.)
- 2 - Horizontal Cone Through Vertical Angle (5) (Through Max. Cd.)

### DIMENSIONAL DATA

