

ENVIROSEAL™

ES3 SERIES

PRODUCT FEATURES:

- » Surface mount – ceiling or wall; 3"×24" (7.62cm×60.96cm), 3"×36" (7.62cm×91.44cm), 3"×48" (7.62cm×121.92cm), 3"×96" (7.62cm×243.84cm)
- » Cold rolled steel or stainless steel housing for corrosion resistance
- » Continuous row mount for multiple luminaires
- » IP65 Option available



PROJECT INFORMATION

Job Name _____

Fixture Type _____

Catalog Number _____

Approved by _____

SPECIFICATIONS

HOUSING: One-piece, seam-welded 20-gauge CRS. Base provided with two-point mounting holes and one wireway hole. Lens is positioned in baseplate channels and retained with stainless steel fastener(s). Base mounts flush to ceiling or wall surface.

LENS/GASKET: UV-stabilized, pearlescent or clear polycarbonate. Smooth exterior, linear prismatic interior. Nominal thickness .125" (.32cm). IP65 option provided with linear silicone gasket to seal lens frame to housing.

FINISH: Brushed stainless steel finish (#4B) or white TGIC polyester powder coat – 5-stage pre-treatment; Salt spray test: 1,000 hours; Reflectance: 92%.

SOCKETS: Shock-resistant sockets with internal locking collar to ensure positive lamp retention.

HARDWARE: One Type 302 stainless steel Phillips head fastener secures lens in housing channel.

ELECTRICAL: LED: Available 3500K, 4000K and 5000K color temperatures, 82 CRI. 120-277VAC or 347VAC, 50/60Hz electrical input with serviceable high power factor electronic, constant-current driver (<20% THD, >0.95 PF). Standard 0-10V dimming with 1-100% range and dim-to-dark capabilities (non dim-to-dark with 347V); 330µA max. source current. LE: Class P ballast. Fluorescent electronic 120/277 or 347 voltage ballasts, high power factor. Optional one-lamp 90 minute nickel-cadmium battery pack (EL) includes inverter charger, test switch and charging indicator lamp.

PHOTOMETRICS: Photometry tested to the IESNA LM-79-08 standard by an ILAC/ISO17025 accredited laboratory. For additional photometric information, go to www.kenall.com.

WARRANTY: Limited five (5) year LED warranty.

LISTINGS: UL and CUL listed for Wet Location – covered ceiling. UL and CUL listed for Damp Location – horizontal wall mount. Optional UL and CUL Listed for Wet Location (WW Option) – horizontal wall mount. Optional UL certified IP65 per IEC 60598 (IP65 Option) – ceiling mount. Photometry tested to the IESNA LM-79-08 standard by an ILAC/ISO17025 accredited laboratory.



ORDERING INFORMATION (Ex: ES3-48-1-45L50K-DCC-1-DV-2H-PP-FS)

Model	Length	Lamp Qty/Lamp Type	Ballast/Driver Type	Ballast/Driver Qty	Voltage	Housing	Lens Type	Options
ES3				1				

Nominal Length

24	2' (60.96cm)
36	3' (91.44cm)
48	4' (121.92cm)
96	8' (243.84cm)

Lamp Qty/Type

2' (60.96cm) Lengths	
1-25L35K	25 Watt 3500K LED
1-25L40K	25 Watt 4000K LED
1-25L50K	25 Watt 5000K LED
1-14 ^A	F14T5
1-24	F24T5HO
1-17	F17T8

3' (91.44cm) Lengths

1-21	F21T5
1-25	F25T8

4' (121.92cm) Lengths

1-45L35K	45 Watt 3500K LED
1-45L40K	45 Watt 4000K LED
1-45L50K	45 Watt 5000K LED
1-28 ^A	F28T5
1-32	F32T8
1-54	F54T5HO

8' (243.84cm) Lengths

(Lamp Qty per 4' (121.92cm) Cross Section)

1-45L35K	45 Watt 3500K LED
1-45L40K	45 Watt 4000K LED
1-45L50K	45 Watt 5000K LED
1-28 ^A	F28T5
1-32	F32T8
1-54	F54T5HO

Ballast Type

DCC	Dimming Constant Current (LED)
IS	Elec <10% THD Instant Start (T8)
RS	Elec <10% THD Rapid Start (T5, T5HO, T8, Biax)
SB	Specified Ballast

Ballast Quantity

1	One
---	-----

Voltage

DV	120-277 Volts
347	347 Volt

Housing Options

2H	20-Ga CRS; Painted
PSH	20-Ga 304SS; Painted
5H	20-Ga 304SS; Brushed
PXH	20-Ga 316SS; Painted
XH	20-Ga 316SS; Brushed

Lens Type

PP	Pearlescent Polycarbonate
CP ^Y	Clear Polycarbonate

Options

EL* [‡]	Standard Lumen EL Pack (450 lumens) (n/a with LED)
PEL* [‡]	High Lumen EL Pack (1100 lumens) (n/a with LED)
SEL* [‡]	Specified EL Pack (Needs to be a low profile version)
FS [^]	Single Fuse & Holder
HC [^]	Row Mount Hub Connector (see KO option)
KO [^]	Continuous Row Mount - .875" (2.22cm) diameter knockout in end caps (see HC option for Kenall supplied attachment connector)
PM ^{^†}	Pendant Mount (damp locations only) – suspension hardware by others
TN120	120 Volt, 13 Watt Twin Tube NPF Night Light (n/a with LED)
TN277	277 Volt, 13 Watt Twin Tube NPF Night Light (n/a with LED)
IP65***	UL certified IP65 – Ceiling Mount (w/removable end caps – not suitable for continuous row mount)
WW*** [†]	UL/CUL Wet Location Listing – Horizontal Wall Mount (w/removable end caps – not suitable for continuous row mount)
TR	Tamper Resistant Torx [®] with center pin fastener

[^] n/a with 347V

* Option not available with 2' (60.96cm) fixtures, with LED, or F21T5 lamps

** n/a with KO or PM options

[^] n/a with IP65 or WW options

+ n/a with IP65 option

[‡] 347V available only with F25T8/F32T8 Lamps

[†] Consult factory for pendant mount hole locations.

• Not available with 3' (91.44cm) fixture

♦ Add .375" (.95cm) to overall length

▼ n/a with LED



www.kenall.com | P: 800-4-Kenall | F: 262-891-9701 | 10200 55th Street Kenosha, Wisconsin 53144, USA

A brand of **legrand**

This product complies with the Buy American Act: manufactured in the United States with more than 50% of the component cost of US origin. It may be covered by patents found at www.kenall.com/patents. Content of specification sheets is subject to change; please consult www.kenall.com for current product details. ©2019 Kenall Mfg. Co.

ENVIROSEAL™

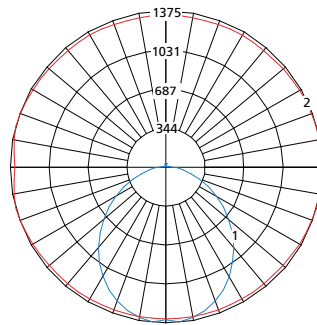
ES3 SERIES

PERFORMANCE

Lamp Type	Initial Delivered Lumens		Input Power (W)	Drive Current (mA)	Estd. L70 LED Life (Hrs)
	@ 25°C	Efficacy (lm/W)			
25L35K	2,280	91	25	100	80,000
25L40K	2,431	97	25	100	80,000
25L50K	2,494	100	25	100	80,000
45L35K	4,560	93	49	100	80,000
45L40K	4,861	99	49	100	80,000
45L50K	4,989	102	49	100	80,000

Displayed information above is for PP lens type. Info subject to change. Visit www.kenall.com for IES files and additional information.

Model: ES3-48-45L40K-DCC-DV-2H-PP

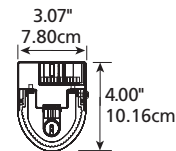


Max Candela = 1375 Located At Horizontal Angle = 15, Vertical Angle = 5

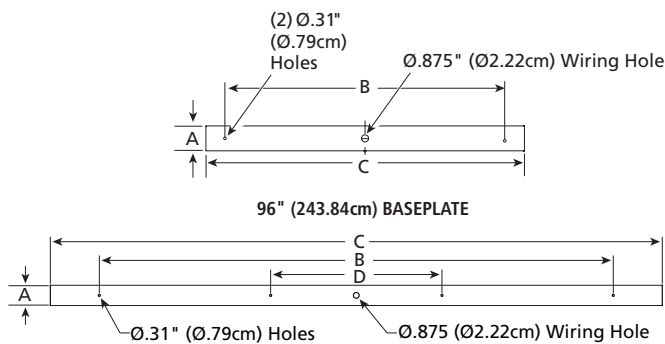
- 1 - Vertical Plane Through Horizontal Angles (15 - 195) (Through Max. Cd.)
- 2 - Horizontal Cone Through Vertical Angle (5) (Through Max. Cd.)

DIMENSIONAL DATA

CROSS SECTION



BASEPLATE



DIMENSIONAL DATA (IN INCHES & CENTIMETERS)

	A	B	C	D
ES324* - T5	3.07	20.00	24.75	
cm	7.80	50.80	62.87	
ES324* - T8	3.07	20.00	24.75	
cm	7.80	50.80	62.87	
ES324* - LED	3.07	22.50	24.75	
cm	7.80	57.15	62.87	
ES324* - TT	3.07	20.00	24.75	
cm	7.80	50.80	62.87	
ES336 - T5	3.07	28.00	35.00	
cm	7.80	71.12	88.90	
ES336 - T8	3.07	24.00	36.75	
cm	7.80	60.96	93.35	
ES348 - T5	3.07	40.00	46.75	
cm	7.80	101.60	118.75	
ES348 - T8	3.07	40.00	48.75	
cm	7.80	101.60	123.83	
ES348 - LED	3.07	40.00	48.75	
cm	7.80	101.60	123.83	
ES348 - T5 - PEL	3.07	42.00	46.75	
cm	7.80	106.68	118.75	
ES348 - T8 - PEL	3.07	43.50	46.75	
cm	7.80	110.49	118.75	
ES396 - T5	3.07	78.00	92.87	26.00
cm	7.80	198.12	235.89	66.04
ES396 - T8	3.07	78.00	96.87	26.00
cm	7.80	198.12	246.05	66.04

*NOTE: ES324 Wiring Hole offset 1" (2.54cm) left of center line

PEL Wiring Hole offset 1.75" (4.45cm) left of center line

*ES324-LED Wiring Hole offset 4.25" (10.79cm) standard (10.83cm) IP65/WW Option



www.kenall.com | P: 800-4-Kenall | F: 262-891-9701 | 10200 55th Street Kenosha, Wisconsin 53144, USA

A brand of **Legrand**

This product complies with the Buy American Act: manufactured in the United States with more than 50% of the component cost of US origin. It may be covered by patents found at www.kenall.com/patents. Content of specification sheets is subject to change; please consult www.kenall.com for current product details. ©2019 Kenall Mfg. Co.