

ENVIROPRO™

EPMP SERIES

LED Recessed Top Access High Output Luminaire for IMP Ceilings

PRODUCT FEATURES:

- » Up to 36,900 lumens delivered
- » Multiple optical options for efficient lighting with superior glare control
- » Designed for 4" Insulated Metal Panel (IMP) ceilings
- » Top access from a walkable ceiling with removable electrical assembly for ease of maintenance



PROJECT INFORMATION

Job Name _____

Fixture Type _____

Catalog Number _____

Approved by _____

SPECIFICATIONS:

HOUSING: Hole-free, seam-welded construction in 16-gauge cold-rolled steel (CRS). White TGIC polyester powder coat finish with 5 step pre-treatment; laboratory salt spray test: 1,000 hours. Designed for 4" IMP ceilings (other ceiling thicknesses available). Robust construction resists damage from inadvertent foot traffic (not intended for walking conditions).

TOP ACCESS DOOR: Removable electrical assembly is gasketed and secured by captive fasteners allows for simple installation and servicing. Multiple return fabrication for strength with two handles provided for easy handling.

LENS FRAME/TRIM: Overlapping design hides ceiling cutout imperfections. One-piece construction with gloss-white TGIC powder coated 18-gauge CRS or type 304 stainless steel with post-fabrication #4B finish. Replaceable lens frame secured to housing with (8) concealed fasteners.

OPTICAL: Narrow, Medium and Wide optical distribution patterns. 0.125" impact-modified acrylic (PMMA) outer lens continuously sealed to perimeter of lens frame with closed-cell extruded silicone gasket. Available frost acrylic (FA) and clear textured acrylic (TA) lens options provide enhanced glare control.

GASKET MATERIAL: One-piece closed cell extruded silicone gasket seals lens frame to housing and ceiling structure. Closed cell gaskets seal top access door to housing.

ELECTRICAL: Replaceable high-brightness LED array. See Ordering Information for color temperature options. Maximum 5-step MacAdam variation allowance. 70CRI minimum. 277VAC, 50/60Hz input with replaceable high power factor electronic, constant-current driver (<20% THD, >0.90 PF). Minimum 90% driver efficiency. EMC performance compliant to FCC CFR Part 15, Class B.

INSTALLATION: Rigid thru-ceiling sleeve secured to room-side lens frame. Electrical assembly mounting collar secures to sleeve with screws for consistent and secure compression of ceiling panels. One ½" trade size electrical power entry point. Optional externally-mounted emergency lighting pack rated for 90 minute operation. Suitable for ambient temperature applications from -40°C (-40°F) to 40°C (104°F), unless otherwise noted. See dimensional data for ceiling cutout size (page 3).

WARRANTY: Limited five (5) year LED warranty.

LISTINGS: Luminaire is certified to UL Standards by Intertek Testing Laboratory for Wet Location and non-IC installations. IP66 rating per IEC60598. NSF2 listed for food processing areas. Certain versions of this product are Designlights Consortium (DLC) qualified. Consult factory and check the DLC Qualified Products List [here](#) for listed configuration details.



ORDERING INFORMATION (Ex: EPMP-2424-295L-40K7-SCC-277-2F-2H-FA-M-LEL)

Model	Size	Lamp Power	Lamp Color	Driver Type	Voltage	Doorframe	Housing	Lens	Distribution Type	Options
EPMP					277		2H			
Model	EnviroPro for IMP Ceilings			Driver Type	Standard Constant Current (non-dimming)		Lens Type	CA* Clear Acrylic		
EPMP				SCC			FA*	Frosted Acrylic		
Size^				Voltage	277 277 Volts		TA†	Textured Acrylic		
1722	17" x 22" Nominal			Doorframe Options			Distribution Type			
2424	24" x 24" Nominal			2F	18-Ga CRS (STD)		N	Narrow		
Lamp Power				5F	18-Ga Type 304 SS		M	Medium		
192L	192 Watt LED			Housing Options			W	Wide		
295L	295 Watt LED			2H	16-Ga CRS		Options			
Lamp Color							LEL	Integral 20W Emergency Battery Pack(0°C min. battery ambient)		
35K8	3500K/80 CRI min.						FS	Fuse & Holder		
40K7	4000K/70 CRI min.						AMF	Anti-Microbial Finish on Doorframe (Type 2F only)		
40K8	4000K/80 CRI min.									
50K7	5000K/70 CRI min.									
50K8	5000K/80 CRI min.									

* n/a with W Distribution Type
 † Only available with W Distribution Type
 ^ See dimensional data for ceiling cutout size (page 3)



www.kenall.com | P: 800-4-Kenall | F: 262-891-9701 | 10200 55th Street Kenosha, Wisconsin 53144, USA

A brand of **legrand**

This product complies with the Buy American Act: manufactured in the United States with more than 50% of the component cost of US origin. It may be covered by patents found at www.kenall.com/patents. Content of specification sheets is subject to change; please consult www.kenall.com for current product details. ©2019 Kenall Mfg. Co.

ENVIROPRO™

EPMP SERIES

LED Recessed Top Access High Output Luminaire for IMP Ceilings

PERFORMANCE

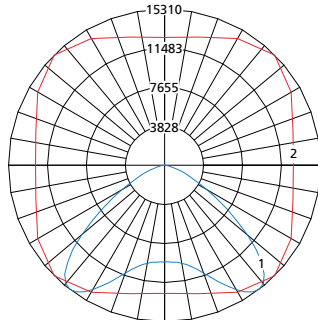
Size	Lamp Code	Initial Delivered Lumens, By Optic Type (lm)					Efficacy (lm/W)	Input Power (W)	Estd. L ₇₀ LED Life (Hrs)
		TA-W	CA-M	FA-M	CA-N	FA-N			
1722	192L-50K7	20,999	24,392	22,727	26,482	25,384	93 - 118	225	125,000
	192L-50K8	18,951	22,012	20,510	23,898	22,908	84 - 106	225	125,000
	192L-40K7	20,506	23,819	22,193	25,860	24,788	91 - 115	225	125,000
	192L-40K8	18,505	21,495	20,028	23,337	22,370	82 - 104	225	125,000
	192L-35K8	17,950	20,850	19,427	22,637	21,699	80 - 101	225	125,000
	295L-50K7	30,003	34,850	32,471	37,837	36,268	91 - 115	329	90,000
	295L-50K8	27,076	31,450	29,303	34,145	32,730	82 - 104	329	90,000
	295L-40K7	29,298	34,032	31,709	36,948	35,416	89 - 112	329	90,000
	295L-40K8	26,440	30,712	28,615	33,343	31,961	80 - 101	329	90,000
	295L-35K8	25,647	29,790	27,757	32,343	31,002	78 - 98	329	90,000
2424	192L-50K7	27,615	29,055	27,483	29,856	28,866	122 - 133	225	125,000
	192L-50K8	24,921	26,220	24,802	26,944	26,050	110 - 120	225	125,000
	192L-40K7	26,967	28,372	26,838	29,155	28,188	119 - 130	225	125,000
	192L-40K8	24,336	25,604	24,219	26,311	25,438	108 - 117	225	125,000
	192L-35K8	23,606	24,836	23,493	25,521	24,675	105 - 114	225	125,000
	295L-50K7	36,005	37,882	35,833	38,927	37,636	109 - 118	329	90,000
	295L-50K8	32,493	34,187	32,337	35,130	33,965	98 - 107	329	90,000
	295L-40K7	35,160	36,993	34,991	38,013	36,753	106 - 116	329	90,000
	295L-40K8	31,729	33,384	31,578	34,305	33,167	96 - 104	329	90,000
	295L-35K8	30,778	32,382	30,630	33,275	32,172	93 - 101	329	90,000

SPACING CRITERIA, BY OPTIC TYPE

Size	TA-W	CA-M	FA-M	CA-N	FA-N
1722	1.40	1.18	1.14	1.00	0.94
2424	1.78	1.36	1.20	1.02	0.98

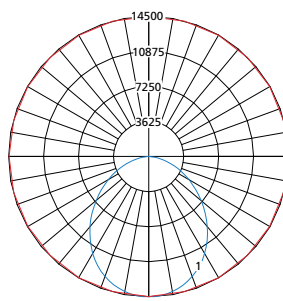
Displayed information is for selected luminaires only. Information subject to change without notice. Visit www.kenall.com for .ies files and additional information.

Model: EPMP-2424-295L-50K7-SCC-277-2F-2H-TA-W



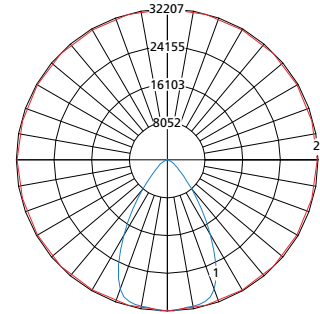
Max Candela = 15310 Located At Horizontal Angle = 45, Vertical Angle = 37.5
 1 - Vertical Plane Through Horizontal Angles (45 - 225) (Through Max. Cd.)
 2 - Horizontal Cone Through Vertical Angle (37.5) (Through Max. Cd.)

Model: EPMP-2424-295L-50K7-SCC-277-2F-2H-FA-M



Max Candela = 14500 Located At Horizontal Angle = 90, Vertical Angle = 2.5
 1 - Vertical Plane Through Horizontal Angles (90 - 270) (Through Max. Cd.)
 2 - Horizontal Cone Through Vertical Angle (2.5) (Through Max. Cd.)

Model: EPMP-2424-295L-50K7-SCC-277-2F-2H-CA-N



Max Candela = 32207 Located At Horizontal Angle = 90, Vertical Angle = 2.5
 1 - Vertical Plane Through Horizontal Angles (90 - 270) (Through Max. Cd.)
 2 - Horizontal Cone Through Vertical Angle (2.5) (Through Max. Cd.)



www.kenall.com | P: 800-4-Kenall | F: 262-891-9701 | 10200 55th Street Kenosha, Wisconsin 53144, USA

This product complies with the Buy American Act: manufactured in the United States with more than 50% of the component cost of US origin. It may be covered by patents found at www.kenall.com/patents. Content of specification sheets is subject to change; please consult www.kenall.com for current product details. ©2019 Kenall Mfg. Co.

A brand of Legrand

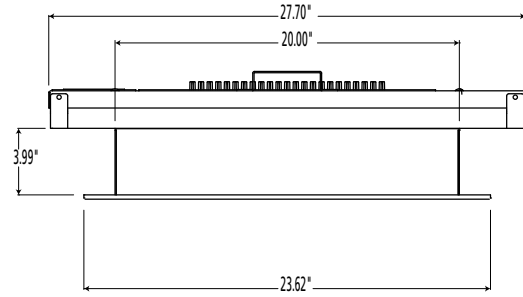
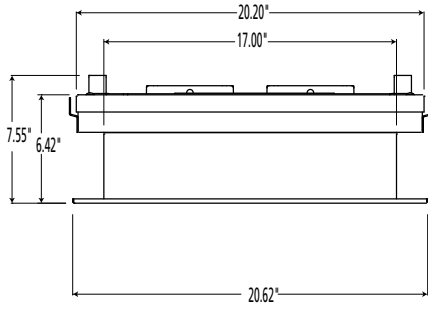
ENVIROPRO™

EPMP SERIES

LED Recessed Top Access High Output Luminaire for IMP Ceilings

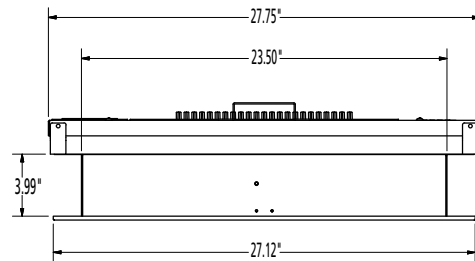
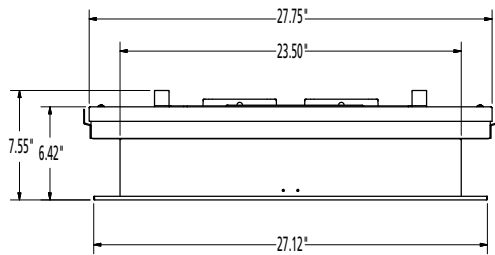
DIMENSIONAL DATA

EPMP-1722



Ceiling Cutout: 17.50" x 20.50"

EPMP-2424



Ceiling Cutout: 24.00" x 24.00"



www.kenall.com | P: 800-4-Kenall | F: 262-891-9701 | 10200 55th Street Kenosha, Wisconsin 53144, USA

A brand of Legrand

This product complies with the Buy American Act: manufactured in the United States with more than 50% of the component cost of US origin. It may be covered by patents found at www.kenall.com/patents. Content of specification sheets is subject to change; please consult www.kenall.com for current product details. ©2019 Kenall Mfg. Co.