

ENVIROPRO™ LOW BAY

EPLB SERIES

PROJECT INFORMATION

Job Name _____

Fixture Type _____

Catalog Number _____

Approved by _____

PRODUCT FEATURES:

- » Classic industrial high-bay luminaire design aesthetic with modern lamp technology
- » Suitable for applications requiring higher vertical illuminance levels
- » Available with up to 28% uplight, depending on model
- » Multiple flux and lamp color options



SPECIFICATIONS

HOUSING: Marine-grade die-cast aluminum construction with convective fins for efficient thermal transfer from junction to ambient. Sealed center hub for pendant or hook & loop mounting.

REFLECTOR/LENS ASSEMBLY: **REFLECTOR (ACA, ACP, AO):** .063" corrosion-resistant spun aluminum reflector, sealed to housing with continuous closed-cell gasket. Standard gloss white high-reflectance TGIC polyester powder coat on spun reflector with 5-stage pre-treatment. Reflectance 90%. Salt spray test: 1,000 hours. For additional reflector finishes, see Ordering Options below. **Option:** Finish matches housing finish only—inside will remain gloss white. **REFRACTOR (CA, CP):** Clear prismatic UV-stabilized acrylic or polycarbonate reduces contrast and improves uniformity utilizing its inherent uplight component, sealed to housing with continuous closed-cell gasket. **REFRACTOR (PPA):** Pearlescent Prismatic UV-stabilized acrylic providing specifically tailored uplight and downlight levels, sealed to housing with continuous closed-cell gasket. **ENCLOSED (E):** Available with either a spun aluminum reflector or acrylic/polycarbonate refractor, and a clear prismatic acrylic or polycarbonate drop (bottom) lens.

ELECTRICAL: High-brightness LED array. See Ordering Information for color temperature and CRI options. 80 CRI min. (12"), 70 CRI min. (16/22"). 120-277VAC, or 347VAC, 50/60Hz electrical input. Replaceable high power factor electronic, constant-current driver (<10% THD, >0.90PF). Minimum 85% driver efficiency. **12" MODEL:** 0-10V dimming protocol with 1-100% range (includes dim-to-dark capabilities on 42L), 250µA max. source current. **16/22" Model:** 0-10V dimming protocol with 3-100% range and dim-to-dark capabilities; 500µA max. source current.

TEKLINK™ TL100: Centralized, wired zonal occupancy and closed-loop daylight harvesting control system. TL100 controllers are standalone devices and ordered separately for luminaire. [Click here for specifications.](#)

INSTALLATION: Tool-free lamp access. **LOOP HANGER:** Top hub with loop style hanger and 6' black power cord. IP65 sealed connector. Hook by others. Center of gravity along center axis of luminaire. **PENDANT:** Sealed threaded hub supplied for ½" diameter rigid pendant (12" size) and ¾" diameter rigid pendant (16"/22" size). Pendant components by others. Ambient temperature rating is -40°C to 40°C (55°C on 47L/94L).

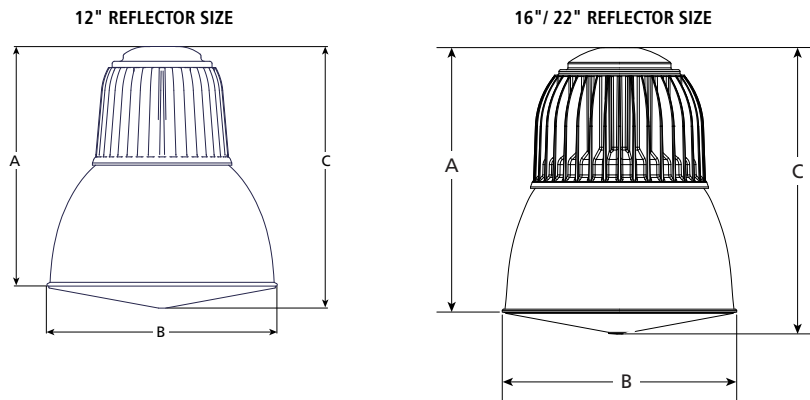
PHOTOMETRICS: Photometry tested to the IESNA LM-79-08 standard by an ILAC/ISO17025 accredited laboratory. For additional photometric data, please go to www.kenall.com.

WARRANTY: Limited five (5) year LED warranty.

LISTINGS: Listed to UL Standards by Intertek Testing Laboratory for Wet Location (Enclosed) and Dry Location (Open). Enclosed version rated IP65 per IEC 60598. Enclosed version certified to NSF2 Splash/Non-Food Zone. DesignLights Consortium® (DLC) qualified product. Not all versions of this product may be DLC listed. Please check the DLC Qualified Products List [here](#) for listed configuration details.



DIMENSIONAL DATA



DIMENSIONAL DATA (IN INCHES)

	A	B	C
12"	12.95	12.46	14.14
16"	17.93	16.22	19.46
22"	21.96	22.46	23.96



www.kenall.com | P: 800-4-Kenall | F: 262-891-9701 | 10200 55th Street Kenosha, Wisconsin 53144, USA

A brand of **legrand**

This product complies with the Buy American Act: manufactured in the United States with more than 50% of the component cost of US origin. It may be covered by patents found at www.kenall.com/patents. Content of specification sheets is subject to change; please consult www.kenall.com for current product details. ©2019 Kenall Mfg. Co.

ENVIROPRO™ LOW BAY

ORDERING INFORMATION (Ex: EPLB-22-E-CA-ALG-192L-40K7-DCC-120)

PROJECT INFORMATION

Job Name _____
 Fixture Type _____
 Catalog Number _____
 Approved by _____

Model	Size	Enclosure Type	Mount Type	Lens/Refl./Refr	Finish	Lamp Power	Lamp Color	Driver Type	Voltage	Options
EPLB								DCC		

Reflector Size

- 12** 12" Nominal Diameter
- 16** 16" Nominal Diameter
- 22** 22" Nominal Diameter

Enclosure Type

- E** Enclosed (IP65/Wet Location)
- O** Open (Dry Location)

Mounting Type

- HL** Loop Hanger with 6' Black Cord and IP65-Rated Quick-Disconnect Plug
- PM** Pendant Mount (by others)

Lens/Reflector/Reflector Type

- ACA†** Spun Aluminum Reflector w/Clear Acrylic Drop Lens (Enclosure Type E only)
- ACP†** Spun Aluminum Reflector w/Clear PC Drop Lens (Enclosure Type E only)
- AO†** Open Spun Aluminum Reflector (Enclosure Type O only)
- CA** Clear Prismatic Acrylic Refractor
- PPA** Pearlescent Prismatic Acrylic Refractor
- CP** Clear Prismatic Polycarbonate Refractor

NOTE: When the PPA Lens/Reflector is selected in conjunction with the E Enclosure type, the front/bottom lens comes in clear prismatic acrylic.

Housing Finish

- ALG** Antimicrobial Low Gloss White
- BR** Bronze
- CS** Cool Satin Painted Aluminum
- DB** Dark Bronze
- FG** Forest Green
- GW** Gloss White
- LG** Light Gray
- MB** Matte Black
- MW** Matte White
- WS** Warm Satin Aluminum
- CC** Custom Color

Lamp Power

- 12"**
- 17L** 17 Watt LED
- 25L** 25 Watt LED
- 42L** 42 Watt LED
- 16"**
- 47L** 47 Watt LED
- 94L** 94 Watt LED
- 144L** 144 Watt LED
- 192L** 192 Watt LED

22"

- 94L** 94 Watt LED
- 144L** 144 Watt LED
- 192L** 192 Watt LED

Lamp Color

- 30K8** 3000K/80CRI min
- 30K9** 3000K/90CRI min
- 35K8** 3500K/80CRI min
- 35K9** 3500K/90CRI min
- 40K7*** 4000K/70CRI min
- 40K8** 4000K/80CRI min
- 40K9^** 4000K/90CRI min
- 50K7*** 5000K/70CRI min

Driver Type

- DCC** Dimming Constant-Current LED Driver (0-10V)

Voltage

- DV** 120-277 Volts (n/a with 12" Reflector Size)
- 120** 120 Volts
- 277** 277 Volts
- 347** 347 Volts

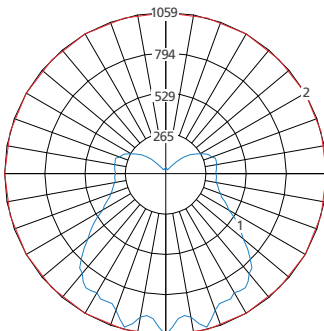
Options

- LELC‡§** Ceiling Mounted LED Emergency Battery Backup (to view dimensional drawing click here)
- LELP‡§** Pendant Mounted LED Emergency Battery Backup (to view dimensional drawing click here)
- FS** Single Fuse & Holder
- NAT** Natatorium Environment (n/a with Loop Hanger (HL) on the EPLB12; N/A with 192L Lamp Power)
- PM24‡•** Pendant Mount, Single Pendant (to view image details click here)
- SCH** Safety Chain & Hanger (n/a with PM Mount)
- WG*** Wire Guard
- RMH†** Reflector Matches Housing
- TL100** TekLink TL100 Control System (Click here for specifications)

- ‡ Damp Location when ordered with Enclosure Type 'E' Cannot be combined with 'NAT' Option Available only with 'PM' Mounting Type
- 24" standard length. Consult factory for custom lengths.
- † Standard reflector is gloss white inside & outside. With RMH Option, spun reflector finish will match Housing Finish selection outside only
- § Available only with 'PM' Mounting Type
- * n/a with EPLB-12
- ^ EPLB-12 only

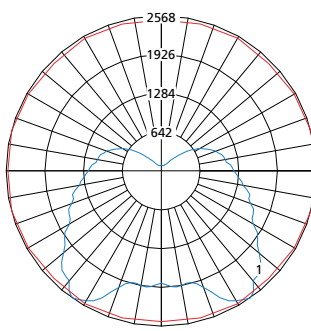
PERFORMANCE

Model: EPLB-12-E-CA-42L-40K8-DCC



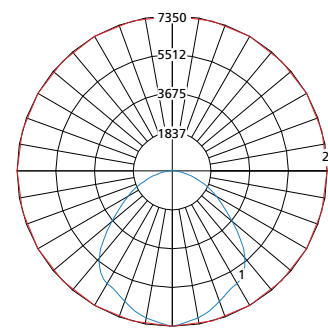
Max Candela = 1059 Located At Horiz. Angle = 0, Vertical Angle = 0
 — 1 - Vertical Plane Through Horiz. Angles (0-180) (Through Max. Cd.)
 — 2 - Horizontal Cone Through Vert. Angle (0) (Through Max. Cd.)

Model: EPLB-16-E-CA-GW-144L-40K7-DCC-DV



Max Candela = 2568 Located At Horiz. Angle = 15, Vertical Angle = 35
 — 1 - Vertical Plane Through Horiz. Angles (15-195) (Through Max. Cd.)
 — 2 - Horizontal Cone Through Vert. Angle (35) (Through Max. Cd.)

Model: EPLB-22-E-ACA-GW-192L-40K7-DCC-DV



Max Candela = 6915 Located At Horiz. Angle = 0, Vertical Angle = 0
 — 1 - Vertical Plane Through Horiz. Angles (0-180) (Through Max. Cd.)
 — 2 - Horizontal Cone Through Vert. Angle (0) (Through Max. Cd.)



www.kenall.com | P: 800-4-Kenall | F: 262-891-9701 | 10200 55th Street Kenosha, Wisconsin 53144, USA

A brand of **Legrand**

This product complies with the Buy American Act: manufactured in the United States with more than 50% of the component cost of US origin. It may be covered by patents found at www.kenall.com/patents. Content of specification sheets is subject to change; please consult www.kenall.com for current product details. ©2019 Kenall Mfg. Co.

ENVIROPRO™ LOW BAY
EPLB SERIES – TECHNICAL DATA

For additional photometry, go to www.kenall.com

PERFORMANCE– 12" & 16"

Reflector Size	Lamp Code	Flux @ 25C, By Optic Type (lm)				Efficacy (lm/W)	Input Power (W)	Estd. L ₇₀ LED Life (Hrs)
		E-CA	E-ACA	O-CA	O-AO			
12	17L-40K8	2,325	1,864	2,456	2,093	98 - 129	19	115,000
	17L-40K9	1,979	1,586	2,090	1,781	83 - 110	19	115,000
	17L-35K8	2,350	1,884	2,482	2,115	99 - 130	19	115,000
	17L-35K9	1,931	1,548	2,039	1,738	81 - 107	19	115,000
	17L-30K8	2,297	1,841	2,426	2,067	97 - 127	19	115,000
	17L-30K9	1,885	1,511	1,991	1,697	79 - 105	19	115,000
	25L-40K8	3,273	2,623	3,457	2,946	99 - 130	27	95,000
	25L-40K9	2,786	2,233	2,942	2,507	84 - 110	27	95,000
	25L-35K8	3,309	2,652	3,494	2,977	100 - 131	27	95,000
	25L-35K9	2,718	2,178	2,871	2,446	82 - 108	27	95,000
	25L-30K8	3,234	2,592	3,415	2,910	97 - 128	27	95,000
	25L-30K9	2,654	2,127	2,803	2,388	80 - 105	27	95,000
	42L-40K8	5,090	4,079	5,375	4,580	85 - 112	48	75,000
	42L-40K9	4,332	3,471	4,574	3,898	73 - 96	48	75,000
	42L-35K8	5,145	4,123	5,433	4,630	86 - 114	48	75,000
	42L-35K9	4,227	3,387	4,464	3,803	71 - 93	48	75,000
	42L-30K8	5,029	4,030	5,311	4,525	84 - 111	48	75,000
	42L-30K9	4,127	3,307	4,358	3,714	69 - 91	48	75,000
16	47L-50K7	5,669	4,947	5,994	5,429	90 - 109	55	150,000
	47L-40K7	5,654	4,935	5,979	5,415	90 - 109	55	150,000
	47L-40K8	5,297	4,623	5,601	5,073	84 - 102	55	150,000
	47L-35K8	5,069	4,424	5,360	4,855	80 - 97	55	150,000
	47L-35K9	3,471	3,029	3,670	3,324	55 - 67	55	150,000
	47L-30K8	5,069	4,424	5,360	4,855	80 - 97	55	150,000
	47L-30K9	3,471	3,029	3,670	3,324	55 - 67	55	150,000
	94L-50K7	10,485	9,151	11,087	10,042	86 - 105	106	125,000
	94L-40K7	10,459	9,128	11,059	10,016	86 - 104	106	125,000
	94L-40K8	9,798	8,551	10,360	9,383	81 - 98	106	125,000
	94L-35K8	9,376	8,183	9,914	8,979	77 - 94	106	125,000
	94L-35K9	6,419	5,603	6,788	6,148	53 - 64	106	125,000
	94L-30K8	9,376	8,183	9,914	8,979	77 - 94	106	125,000
	94L-30K9	6,419	5,603	6,788	6,148	53 - 64	106	125,000
	144L-50K7	15,654	13,662	16,553	14,992	84 - 102	162	125,000
	144L-40K7	15,615	13,628	16,511	14,954	84 - 102	162	125,000
	144L-40K8	14,628	12,766	15,468	14,009	79 - 95	162	125,000
	144L-35K8	13,998	12,217	14,802	13,406	75 - 91	162	125,000
	144L-35K9	9,584	8,365	10,134	9,179	52 - 63	162	125,000
	144L-30K8	13,998	12,217	14,802	13,406	75 - 91	162	125,000
	144L-30K9	9,584	8,365	10,134	9,179	52 - 63	162	125,000
	192L-50K7	20,411	16,569	21,583	19,548	79 - 103	210	105,000
	192L-40K7	20,360	16,527	21,529	19,499	79 - 103	210	105,000
	192L-40K8	19,073	15,482	20,168	18,266	74 - 96	210	105,000
192L-35K8	18,252	14,816	19,300	17,480	71 - 92	210	105,000	
192L-35K9	12,497	10,144	13,214	11,968	48 - 63	210	105,000	
192L-30K8	18,252	14,816	19,300	17,480	71 - 92	210	105,000	
192L-30K9	12,497	10,144	13,214	11,968	48 - 63	210	105,000	

Displayed information is for selected luminaires only. Information is subject to change without notice. Visit www.kenall.com for IES files and additional information.



www.kenall.com | P: 800-4-Kenall | F: 262-891-9701 | 10200 55th Street Kenosha, Wisconsin 53144, USA

A brand of **legrand**

This product complies with the Buy American Act: manufactured in the United States with more than 50% of the component cost of US origin. It may be covered by patents found at www.kenall.com/patents. Content of specification sheets is subject to change; please consult www.kenall.com for current product details. ©2019 Kenall Mfg. Co.

ENVIROPRO™ LOW BAY
EPLB SERIES – TECHNICAL DATA

For additional photometry, go to www.kenall.com

PERFORMANCE – 22"

Reflector Size	Lamp Code	Flux @ 25C, By Optic Type (lm)				Efficacy (lm/W)	Input Power (W)	Estd. L ₇₀ LED Life (Hrs)
		E-CA	E-ACA	O-CA	O-AO			
22	94L-50K7	12,366	9,697	12,455	10,377	91 - 117	106	150,000
	94L-40K7	12,335	9,673	12,424	10,351	91 - 117	106	150,000
	94L-40K8	11,555	9,061	11,638	9,697	85 - 110	106	150,000
	94L-35K8	11,058	8,671	11,137	9,280	82 - 105	106	150,000
	94L-35K9	7,571	5,937	7,625	6,354	56 - 72	106	150,000
	94L-30K8	11,058	8,671	11,137	9,280	82 - 105	106	150,000
	94L-30K9	7,571	5,937	7,625	6,354	56 - 72	106	150,000
	144L-50K7	18,370	14,405	18,502	15,416	89 - 114	162	125,000
	144L-40K7	18,324	14,369	18,456	15,377	89 - 114	162	125,000
	144L-40K8	17,166	13,461	17,289	14,405	83 - 107	162	125,000
	144L-35K8	16,427	12,882	16,545	13,785	80 - 102	162	125,000
	144L-35K9	11,247	8,820	11,328	9,438	54 - 70	162	125,000
	144L-30K8	16,427	12,882	16,545	13,785	80 - 102	162	125,000
	144L-30K9	11,247	8,820	11,328	9,438	54 - 70	162	125,000
	192L-50K7	24,005	18,824	24,178	20,145	90 - 116	209	105,000
	192L-40K7	23,945	18,777	24,117	20,094	90 - 115	209	105,000
	192L-40K8	22,431	17,590	22,592	18,824	84 - 108	209	105,000
	192L-35K8	21,466	16,833	21,620	18,014	81 - 103	209	105,000
	192L-35K9	14,697	11,525	14,802	12,334	55 - 71	209	105,000
	192L-30K8	21,466	16,833	21,620	18,014	81 - 103	209	105,000
192L-30K9	14,697	11,525	14,802	12,334	55 - 71	209	105,000	

Displayed information is for selected luminaires only. Information is subject to change without notice. Visit www.kenall.com for IES files and additional information.



www.kenall.com | P: 800-4-Kenall | F: 262-891-9701 | 10200 55th Street Kenosha, Wisconsin 53144, USA

A brand of **legrand**

This product complies with the Buy American Act: manufactured in the United States with more than 50% of the component cost of US origin. It may be covered by patents found at www.kenall.com/patents. Content of specification sheets is subject to change; please consult www.kenall.com for current product details. ©2019 Kenall Mfg. Co.