

ENVIROPRO™ HIGH BAY

EPHB SERIES

PRODUCT FEATURES:

- » Lumen output ranging from 15,470 – 31,510 lm
- » Rated -40 to +40°C, some rated -40 to +50°C ambient
- » Classic industrial high-bay luminaire design aesthetic with modern lamp technology
- » Internal diffuser option for applications requiring higher vertical illuminance levels
- » Available with up to 11% uplight options
- » Peace of Mind Guarantee® against breakage



PROJECT INFORMATION

Job Name _____

Fixture Type _____

Catalog Number _____

Approved by _____

SPECIFICATIONS

HOUSING: Marine-grade forged aluminum construction with deep convective fins for efficient thermal transfer from junction to ambient. Sealed center hub for pendant or hook & loop mounting.

REFRACTOR/REFLECTOR: **REFRACTOR (CP):** Clear prismatic UV-stabilized polycarbonate reduces contrast and improves uniformity. **REFLECTOR (AO):** 0.063" corrosion-resistant spun aluminium with gloss white high reflectance powder coat finish. Finished edge flange adds strength, resisting damage.

DIFFUSER ASSEMBLY: Internal glass lens (G) or for uplight distribution: injection molded polycarbonate diffuser (U1, U2). Sealed to housing with a continuous silicone gasket. Clear tempered glass or optional uplight diffuser, sealed to housing with continuous silicone gasket.

ELECTRICAL: Mid-power high-brightness LED array on a metal core circuit board for cool operation and extended service life. See Ordering Information for color temperature options. 80 CRI minimum. Replaceable high power factor electronic, constant-current driver (<10% THD, >0.90PF). Minimum 85% driver efficiency. 120-277VAC, 50/60Hz electrical input. Standard 0-10V dimming with 10-100% range, 450µA maximum source current. Includes 12V, 20mA power source for external auxiliary controls (by others). Integral 4kV surge protection (L-L & L-G). Passes IEC 61000-4-4 Burst-EFT and IEC 61000-4-5 (Class 4) surge evaluation.

TEKLINK™ TL100: Centralized, wired zonal occupancy and closed-loop daylight harvesting control system. TL100 controllers are standalone devices and ordered separately for luminaire. [Click here for specifications.](#)

INSTALLATION: All models provided with 6 foot black power and dimming cords. **HOOK HANGER:** Top hub with hook style hanger with set screw to prevent rotation and safety screw to prevent accidental release. **PENDANT:** Sealed threaded hub supplied for 1/2" trade size rigid pendant (1/2" NPS size). Coupler is provided for conversion to 3/4" pendants. Pendant components by others or as supplied with PM24 option. Ambient temperature rating is -40°C to 50°C (40°C on 224L).

PHOTOMETRICS: Photometry tested to the IESNA LM-79-08 standard by an ILAC/ISO17025 accredited laboratory. For additional photometric data, please go to www.kenall.com.

WARRANTY: Limited five (5) year LED warranty.

LISTINGS: Luminaire is certified to UL Standards by Intertek Testing Laboratory for Wet Location. Certified IP65 rating per IEC 60598. Certain versions of this product are Designlights Consortium Premium and Designlights Consortium Standard (DLC) qualified. Consult factory and check the DLC Qualified Products List [here](#) for listed configuration details.



*SEE BELOW FOR EXCLUSIONS

ORDERING INFORMATION (Ex: EPHB-22-U1-HK-CP-GW-194L-40K8-DCC-DV)

Model	Size	Diffuser Type	Mount Type	Lens/Reflector	Finish	Lamp Power	Lamp Color	Driver Type	Voltage	Options
EPHB					GW			DCC	DV	
Size					Housing Finish			Driver Type		
12*	12" Nominal Diameter				GW Gloss White			DCC Dimming Constant-Current LED Driver (0-10V)		
16	16" Nominal Diameter									
22	22" Nominal Diameter									
Diffuser Type					Lamp Power			Voltage		
G*	Tempered Clear Glass (<1% Uplight; Std.)				125L 125 Watt LED			DV 120-277 Volts		
U1'	Uplight Generating Diffuser (8%)				156L 156 Watt LED					
U2'	Uplight Generating Diffuser (11%)				194L 194 Watt LED					
					224L 224 Watt LED					
Mounting Type					Lamp Color			Options		
HK	Hook & Loop Hanger with 6' Black Cord				35K8 3500K/80CRI min			PM24* Pendant Mount, Single Pendant (Damp Location)		
PM*	Pendant Mount (Use PM24 option or stems by others)				40K8 4000K/80CRI min			SCH Safety Chain & Hook Hanger (n/a with PM Mount)		
					50K8 5000K/80CRI min			TL100 TekLink TL100 Control System (Click here for specifications)		
Refractor/Reflector Type										
CP¹	Clear Prismatic Polycarbonate Refractor									
AO^{1*}	Aluminum Open Reflector									
NR^{2*}	No Refractor									

- * n/a with Peace of Mind Guarantee®
- ¹ n/a with 12" nominal diameter size. n/a with AO Refractor Type
- ² Required selection for 12" model. n/a with 16" or 22" model
- 24" standard length. Consult factory for custom lengths. Must be paired with PM Mounting Type



www.kenall.com P: 800-4-Kenall F: 262-891-9701 10200 55th Street Kenosha, Wisconsin 53144

This product may be covered by patents found at www.kenall.com/patents. Content of specification sheets is subject to change; please consult www.kenall.com for current product details. © 2018 Kenall Mfg. Co. All rights reserved.

EPHB-100918



ENVIROPRO™ HIGH BAY

EPHB SERIES

PERFORMANCE

Size	Optic		Lamp Power	Initial Delivered Lumens, By Lamp Color			Efficacy (lm/W)	Input Current (A)		Input Power (W)	Est'd. L70 LED Life @ 40°C Ambient (hrs)
	Diffuser Type	Refractor/Reflector		35K8	40K8	50K8		120	277		
12"	G	NR	125L	19,234	19,711	19,734	144 - 148	1.117	0.526	134	160,000
			156L	23,002	23,572	23,600	140 - 144	1.367	0.64	164	150,000
			194L	27,418	28,098	28,131	135 - 138	1.702	0.804	204	125,000
			224L	30,711	31,472	31,510	131 - 134	1.966	0.927	235	100,000
16"	G	CP	125L	17,968	18,413	18,435	134 - 138	1.117	0.526	134	160,000
			156L	21,487	22,020	22,046	131 - 134	1.367	0.64	164	125,000
			194L	25,613	26,248	26,279	126 - 129	1.702	0.804	204	100,000
			224L	28,689	29,401	29,435	122 - 125	1.966	0.927	235	80,000
		AO	125L	17,561	17,996	18,018	131 - 135	1.117	0.526	134	160,000
			156L	21,001	21,521	21,547	128 - 131	1.367	0.64	164	125,000
			194L	25,033	25,653	25,684	123 - 126	1.702	0.804	204	100,000
			224L	28,039	28,735	28,769	119 - 122	1.966	0.927	235	80,000
	U1	CP	125L	16,018	16,415	16,434	120 - 123	1.117	0.526	134	160,000
			156L	19,155	19,630	19,653	117 - 120	1.367	0.64	164	125,000
			194L	22,833	23,399	23,427	112 - 115	1.702	0.804	204	100,000
			224L	25,575	26,209	26,240	109 - 112	1.966	0.927	235	80,000
	U2	CP	125L	16,188	16,590	16,609	121 - 124	1.117	0.526	134	160,000
			156L	19,359	19,839	19,862	118 - 121	1.367	0.64	164	125,000
			194L	23,076	23,648	23,676	113 - 116	1.702	0.804	204	100,000
			224L	25,848	26,488	26,520	110 - 113	1.966	0.927	235	80,000
22"	G	CP	125L	17,574	18,009	18,030	131 - 135	1.117	0.526	134	160,000
			156L	21,016	21,536	21,562	128 - 131	1.367	0.64	164	125,000
			194L	25,051	25,672	25,702	123 - 126	1.702	0.804	204	100,000
			224L	28,059	28,755	28,789	119 - 122	1.966	0.927	235	80,000
		AO	125L	17,640	18,077	18,099	132 - 135	1.117	0.526	134	160,000
			156L	21,095	21,618	21,644	129 - 132	1.367	0.64	164	125,000
			194L	25,146	25,769	25,799	123 - 127	1.702	0.804	204	100,000
			224L	28,166	28,864	28,898	120 - 123	1.966	0.927	235	80,000
	U1	CP	125L	15,470	15,853	15,872	116 - 119	1.117	0.526	134	160,000
			156L	18,500	18,959	18,981	113 - 116	1.367	0.64	164	125,000
			194L	22,052	22,599	22,626	108 - 111	1.702	0.804	204	100,000
			224L	24,701	25,313	25,343	105 - 108	1.966	0.927	235	80,000
	U2	CP	125L	15,531	15,916	15,935	116 - 119	1.117	0.526	134	160,000
			156L	18,573	19,033	19,056	113 - 116	1.367	0.64	164	125,000
			194L	22,139	22,688	22,714	109 - 111	1.702	0.804	204	100,000
			224L	24,798	25,412	25,442	105 - 108	1.966	0.927	235	80,000

Information subject to change without notice. Visit www.kenall.com for IES files and additional information.

-  Designlights Consortium Premium Listed
-  Designlights Consortium Listed

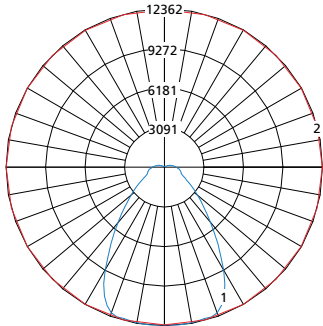


ENVIROPRO™ HIGH BAY

EPHB SERIES

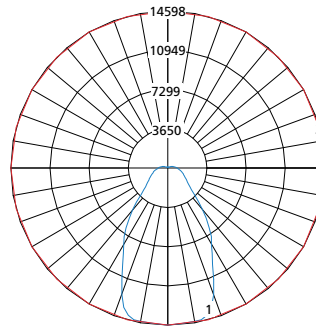
PERFORMANCE

Model: EPHB-16-U1-PM-CP-GW-224L-40K8-DCC-DV



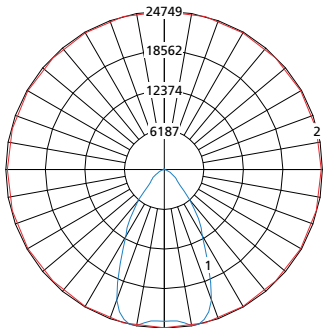
Max Candela = 12362 Located At Horiz. Angle = 0, Vertical Angle = 5
 1 - Vertical Plane Through Horiz. Angles (0-180) (Through Max. Cd.)
 2 - Horizontal Cone Through Vert. Angle (5) (Through Max. Cd.)

Model: EPHB-22-U1-PM-CP-GW-224L-40K8-DCC-DV



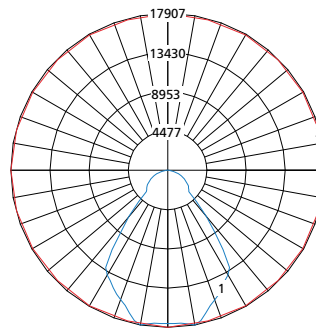
Max Candela = 14598 Located At Horiz. Angle = 0, Vertical Angle = 0
 1 - Vertical Plane Through Horiz. Angles (0-180) (Through Max. Cd.)
 2 - Horizontal Cone Through Vert. Angle (0) (Through Max. Cd.)

Model: EPHB-22-G-PM-CP-GW-224L-40K8-DCC-DV



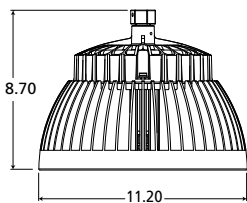
Max Candela = 24749 Located At Horiz. Angle = 75, Vertical Angle = 12.5
 1 - Vertical Plane Through Horiz. Angles (75-255) (Through Max. Cd.)
 2 - Horizontal Cone Through Vert. Angle (12.5) (Through Max. Cd.)

Model: EPHB-22-G-PM-AO-GW-224L-40K8-DCC-DV

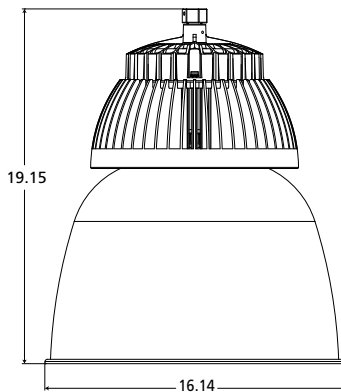


Max Candela = 17907 Located At Horiz. Angle = 90, Vertical Angle = 10
 1 - Vertical Plane Through Horiz. Angles (90-270) (Through Max. Cd.)
 2 - Horizontal Cone Through Vert. Angle (10) (Through Max. Cd.)

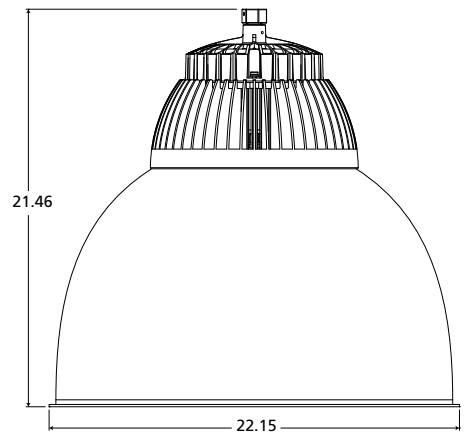
DIMENSIONAL DATA



12" SIZE



16" REFRACTOR SIZE



22" REFRACTOR SIZE

SUPPLY WIRING NOT SHOWN

