

# LUXTRAN™

## DLL948 SERIES

### PRODUCT FEATURES:

- » Surface ceiling mount – 9" x 48" (22.86 cm x 121.92 cm)
- » Stainless steel construction for corrosion resistance
- » Drop dish clear polycarbonate lens



### PROJECT INFORMATION

Job Name \_\_\_\_\_  
 Fixture Type \_\_\_\_\_  
 Catalog Number \_\_\_\_\_  
 Approved by \_\_\_\_\_

### SPECIFICATIONS:

**HOUSING:** 18-gauge, one-piece seam welded type 304 stainless steel construction. Brushed finish.

**REFLECTOR:** 20-gauge CRS. White TGIC polyester powder coat – 5-stage pre-treatment. Salt spray test: 1,000 hours; Reflectance: 92%.

**LENS:** Thermal formed 0.125" (.32 cm) polycarbonate clear lens. Lens silicone sealed to doorframe and secured with continuous lens retention angles.

**DOORFRAME:** 18-gauge brushed stainless steel. Continuous stainless steel piano hinge.

**ELECTRICAL:** Electronic ballast <10% THD standard. See Ordering Information for multiple ballasts and optional equipment. Lamps by others.

**FASTENERS:** Torx® Head stainless steel fasteners standard. See Options for stainless steel center-pin reject Allen Head (AH) or Phillips Head (PH) fasteners.

**INSTALLATION:** For housing without wiring and mounting holes, see Field Drilled Installation Holes Option (FDIH).

**WARRANTY:** Limited one (1) year LED warranty.

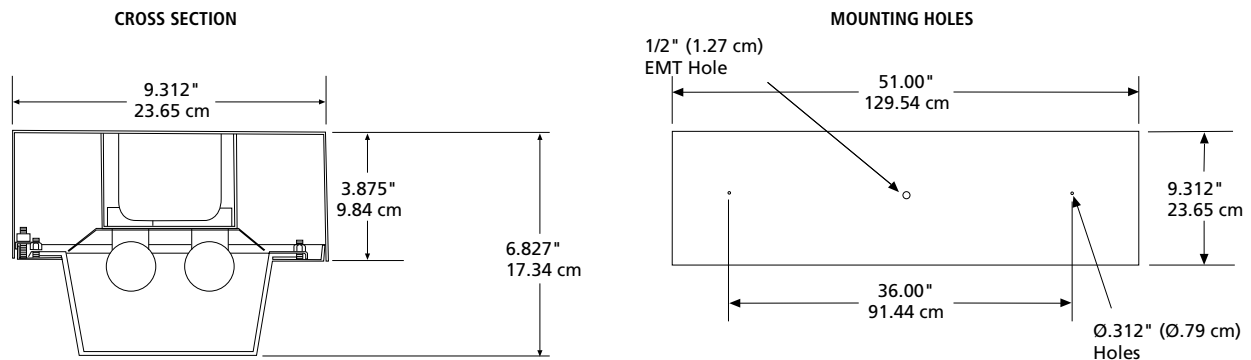
**LISTINGS:** UL and CUL listed for Wet Location.



### ORDERING INFORMATION (Ex: DLL9-48-1-32-IS-1-120)

Model	Length	Lamp Quantity	Lamp Type	Ballast Type	Ballast Quantity	Voltage	Options
<b>DLL9</b>	<b>48</b>						
	<b>Nominal Length</b> 48 4'	<b>Lamp Quantity</b> 1 One Lamp 2 Two Lamps	<b>Lamp Type</b> 32 F32T8 44 F48T8HO	<b>Ballast Type</b> IS Instant Start Electronic <10% THD (STD) RS Rapid Start Electronic <10% THD SB Specified Ballast	<b>Ballast Quantity</b> 1 One 2 Two	<b>Voltage</b> 120 120 Volts 277 277 Volts 347 347 Volts	<b>Options</b> EL Standard Lumen EL Pack PEL High Lumen EL Pack SEL Specified EL Pack AH Allen Head with center pins fasteners FDIH Field Drilled Installation Holes FS Single Fuse & Holder PH Phillips Head fasteners PSS Painted Stainless Steel Housing SSIN Stainless Steel Interior

### DIMENSIONAL DATA



www.kenall.com | P: 800-4-Kenall | F: 262-891-9701 | 10200 55th Street Kenosha, Wisconsin 53144, USA

This product complies with the Buy American Act: manufactured in the United States with more than 50% of the component cost of US origin. It may be covered by patents found at www.kenall.com/patents. Content of specification sheets is subject to change; please consult www.kenall.com for current product details. ©2019 Kenall Mfg. Co.

A brand of **legrand**