

# DEAD-FRONT DOWNLIGHT

## Luminaires for Wet Location/Shower Applications

### DFDL SERIES

#### PRODUCT FEATURES:

- » 6" sealed, recessed downlight with regressed or flush lens trim
- » Insulated trim section withstands 1000VAC dielectric breakdown
- » 900-2,100 delivered lumens with multiple distribution, reflector finish and lens options
- » Wet Location and IP64/IP65 ingress protection rating



#### SPECIFICATIONS

**HEAT SINK:** Die-cast aluminum with external radial fins for natural convection.

**ROUGH-IN FRAME:** 18-gauge die-formed, corrosion-resistant steel and aluminum. Enclosed housing prevents accidental contact of trim section with potential electrical conductors within the ceiling space. Vertically adjustable collar accommodates ceiling thicknesses up to 2", adjustable post-installation. Universal mounting brackets accept 3/4" and 1-1/2" lathers channel, 1/2" EMT conduit and hanger bars. Quick-access junction box accessible post-installation from above and below ceiling. Includes (4) 1/2" and (2) 3/4" knock-outs to allow straight conduit runs. Listed for (8) 12AWG, 90°C conductors and feed-thru branch wiring.

**TRIM SECTION:** IP-rated trim section incorporates the heat sink, LED module, optics and lower trim. All components with potential contact to rough-in section are insulated to withstand a minimum 1000VAC dielectric breakdown. Configurable with an IP64-rated Regressed or Flush lens trim that is secured to the Rough-In frame with hidden torsion springs, or an IP65 Flush lens trim secured with four (4) Phillips-head, captive fasteners. Anti-microbial finish standard on all exposed painted surfaces. See trim ordering information for available options.

**OPTICAL:** Diffused tempered glass upper lens. Available with various reflector distribution patterns and finishes. Flush lens trim options include a clear lens. See distribution and reflector finish ordering information for available options.

**ELECTRICAL:** LED source available in multiple CCT and CRI combinations with a maximum 3-step MacAdam variation allowance. See Trim Ordering Information for available options. 120-277VAC or 347VAC, 50/60Hz electrical input with serviceable constant current driver (<20% THD, >0.90 PF). Minimum 85% driver efficiency. Standard 0-10V dimming with 1-100% range and dim-to-dark capabilities (non dim-to-dark with 347V); 165µA maximum source current. Optional eldoLED ECODE DALI driver with 1-100% range.

**PHOTOMETRICS:** Photometry tested to the IESNA LM-79-08 standard by an ILAC/ISO17025 accredited laboratory. For photometric information, go to [www.kenall.com](http://www.kenall.com).

**WARRANTY:** Limited five (5) year LED warranty.

**LISTINGS:** Luminaire is certified to UL standards by Intertek Testing Laboratory for non-IC and Wet Location installations. IP64 and IP65 rating per IEC60598. NSF2 Splash/Non-Food Zone. Optional CCEA compliance.



#### ORDERING INFORMATION (EX: DFDL6-NF-5FW-9L-35K9-W-CSS-T-RID6-DV-DIM1-FS)

TRIM								ROUGH-IN			
Model	Trim Style	Trim Finish	Lamp Power	Lamp Color	Distribution	Reflector Finish	Flush Lens Type	Rough-In	Input Voltage	Driver Type	Options
<b>DFDL6</b>								<b>RID6</b>			
<b>Trim Style</b>				<b>Lamp Color</b>				<b>Rough-In</b>			
<b>R</b>	Regressed Lens (IP64)			<b>30K8</b>	3000K / 80 CRI min.			<b>RID6</b>	6" Dead-Front Rough-In		
<b>NF</b>	Flush Lens (Without Fasteners - IP64)			<b>35K8</b>	3500K / 80 CRI min.			<b>Input Voltage</b>			
<b>FF</b>	Flush Lens (With Fasteners - IP65)			<b>35K9</b>	3500K / 90 CRI min.			<b>DV</b>	120-277V, 50/60Hz		
<b>Trim Finish</b>				<b>40K8</b>	4000K / 80 CRI min.			<b>120</b>	120VAC, 60Hz		
<b>DCFW</b>	Die-Cast Aluminum in Flat White (R and NF Trim Style)			<b>40K9</b>	4000K / 90 CRI min.			<b>277</b>	277VAC, 60Hz		
<b>5BR</b>	Type 304 Stainless Steel with 4B Brushed Finish			<b>50K8</b>	5000K / 80 CRI min.			<b>347†</b>	347VAC, 60Hz		
<b>5FW</b>	Type 304 Stainless Steel in Flat White			<b>Distribution</b>				<b>Driver Type</b>			
<b>XBR</b>	Type 316 Stainless Steel with 4B Brushed Finish			<b>M</b>	Medium			<b>DIM1</b>	0-10V Dimming to 1% with Dim-to-Dark		
<b>XFW</b>	Type 316 Stainless Steel in Flat White			<b>W</b>	Wide			<b>DALI</b>	DALI Dimming to 1% without Dim-to-Dark		
<b>Lamp Power</b>				<b>Reflector Finish</b>				<b>Options</b>			
<b>9L</b>	9 Watt White LED			<b>FW</b>	Flat White			<b>FS</b>	Fuse & Holder		
<b>18L</b>	18 Watt White LED			<b>CS</b>	Clear Specular			<b>CCEA •</b>	CCEA Approved (specified voltage required)		
				<b>CSS</b>	Clear Semi-Specular						
<b>Flush Lens Type (n/a Regressed Trim Style)</b>											
				<b>T</b>	1/8" Clear High-Impact Acrylic			† N/A with DALI Driver Type. N/A with CCEA option			
				<b>G</b>	1/8" Clear Polycarbonate			• N/A with W-CS Distribution-Reflector Finish			



# DEAD-FRONT DOWNLIGHT

## Luminaires for Wet Location/Shower Applications

### DFDL SERIES

#### PERFORMANCE - REGRESSED LENS

Optic		Lamp Power	Initial Delivered Lumens, By Lamp Color						Efficacy (lm/W)	Input Power (W)	TM-21 Reported L90 (hrs)	TM-21 Reported L70 (hrs)
Distribution	Reflector Finish		30K8	35K8	35K9	40K8	40K9	50K8				
M	CS	9L	1,162	1,189	978	1,196	998	1,210	80 - 103	12	>55,000	>55,000
		18L	2,032	2,080	1,710	2,092	1,745	2,116	81 - 104	20	>55,000	>55,000
	CSS	9L	1,028	1,052	865	1,059	883	1,071	71 - 91	12	>55,000	>55,000
		18L	1,799	1,841	1,513	1,851	1,544	1,873	72 - 92	20	>55,000	>55,000
	FW	9L	1,056	1,081	888	1,087	907	1,099	73 - 94	12	>55,000	>55,000
		18L	1,847	1,890	1,554	1,901	1,586	1,923	74 - 95	20	>55,000	>55,000
W	CS	9L	1,139	1,166	958	1,173	978	1,186	79 - 101	12	>55,000	>55,000
		18L	1,993	2,039	1,676	2,051	1,711	2,075	80 - 102	20	>55,000	>55,000
	CSS	9L	1,099	1,125	924	1,131	944	1,144	76 - 98	12	>55,000	>55,000
		18L	1,922	1,967	1,617	1,979	1,651	2,001	77 - 99	20	>55,000	>55,000
	FW	9L	989	1,012	832	1,018	849	1,029	68 - 88	12	>55,000	>55,000
		18L	1,729	1,770	1,455	1,780	1,485	1,800	69 - 89	20	>55,000	>55,000

Subject to change without notice. Visit [www.kenall.com](http://www.kenall.com) for ies files and additional information.



[www.kenall.com](http://www.kenall.com) | P: 800-4-Kenall | F: 262-891-9700 | 10200 55th Street Kenosha, Wisconsin 53144, USA

This product is able to comply with the latest domestic preference legislation, such as the Buy American Act (BAA), Trade Agreement Act (TAA), Build America, Buy America Act (BABA), and others. It may be covered by patents found at [www.kenall.com/patents](http://www.kenall.com/patents). Content of specification sheets is subject to change; please consult [www.kenall.com](http://www.kenall.com) for current product details. ©2024 Kenall Mfg. Co.

A brand of **Legrand**

# DEAD-FRONT DOWNLIGHT

## Luminaires for Wet Location/Shower Applications

### DFDL SERIES

#### PERFORMANCE - REGRESSED LENS

Wide Distribution Candela Curve	DFDL6-R-18L-40K8-W-CS		Distance to illuminated plane (ft)	DFDL6-R-18L-40K8-M-CS		Medium Distribution Candela Curve
	Initial center beam foot-candles	Beam diameter (ft)		Initial center beam foot-candles	Beam diameter (ft)	
	57.7	6.8	5'	83.7	4.9	
	40.1	8.2	6'	58.1	5.9	
	29.5	9.6	7'	42.7	6.9	
	22.6	10.9	8'	32.7	7.8	
	17.8	12.3	9'	25.8	8.8	
	14.4	13.7	10'	20.9	9.8	
Spacing Criteria: 1.33	foot-candle multipliers for 30K8(.97), 35K8(.99), 35K9(.82), 40K9(.83), 50K8(1.01)				Spacing Criteria: 0.98	
Beam Angle: 69°	Beam diameter is where foot-candles drop to 50% of maximum				Beam Angle: 52°	

Wide Distribution Candela Curve	DFDL6-R-18L-40K8-W-CSS		Distance to illuminated plane (ft)	DFDL6-R-18L-40K8-M-CSS		Medium Distribution Candela Curve
	Initial center beam foot-candles	Beam diameter (ft)		Initial center beam foot-candles	Beam diameter (ft)	
	58.9	4.1	5'	117.1	4.5	
	40.9	4.9	6'	81.3	5.4	
	30.1	5.7	7'	59.7	6.3	
	23.0	6.5	8'	45.7	7.2	
	18.2	7.3	9'	36.1	8.1	
	14.7	8.1	10'	29.3	9.0	
Spacing Criteria: 1.31	foot-candle multipliers for 30K8(.97), 35K8(.99), 35K9(.82), 40K9(.83), 50K8(1.01)				Spacing Criteria: 0.71	
Beam Angle: 69°	Beam diameter is where foot-candles drop to 50% of maximum				Beam Angle: 48°	

Wide Distribution Candela Curve	DFDL6-R-18L-40K8-W-FW		Distance to illuminated plane (ft)	DFDL6-R-18L-40K8-M-FW		Medium Distribution Candela Curve
	Initial center beam foot-candles	Beam diameter (ft)		Initial center beam foot-candles	Beam diameter (ft)	
	60.6	6.4	5'	66.3	6.5	
	42.1	7.7	6'	46.0	7.9	
	30.9	9.0	7'	33.8	9.2	
	23.7	10.3	8'	25.9	10.5	
	18.7	11.5	9'	20.5	11.8	
	15.2	12.8	10'	16.6	13.1	
Spacing Criteria: 1.11	foot-candle multipliers for 30K8(.97), 35K8(.99), 35K9(.82), 40K9(.83), 50K8(1.01)				Spacing Criteria: 1.05	
Beam Angle: 65°	Beam diameter is where foot-candles drop to 50% of maximum				Beam Angle: 66°	



# DEAD-FRONT DOWNLIGHT

Luminaires for Wet Location/Shower Applications

## DFDL SERIES

### PERFORMANCE - FLUSH LENS

Optic			Lamp Power	Initial Delivered Lumens, By Lamp Color						Efficacy (lm/W)	Input Power (W)	TM-21 Reported L90 (hrs)	TM-21 Reported L70 (hrs)
Distribution	Reflector Finish	Lens Type		30K8	35K8	35K9	40K8	40K9	50K8				
M	CS	T	9L	1,119	1,145	941	1,152	961	1,165	77 - 99	12	>55,000	>55,000
			18L	1,957	2,002	1,646	2,014	1,680	2,037	78 - 100	20	>55,000	>55,000
		G	9L	1,079	1,104	908	1,111	926	1,123	75 - 96	12	>55,000	>55,000
			18L	1,887	1,931	1,587	1,942	1,620	1,965	75 - 97	20	>55,000	>55,000
	CSS	T	9L	983	1,006	827	1,012	844	1,024	68 - 87	12	>55,000	>55,000
			18L	1,720	1,760	1,447	1,771	1,477	1,791	69 - 88	20	>55,000	>55,000
		G	9L	948	971	798	976	814	987	66 - 84	12	>55,000	>55,000
			18L	1,659	1,697	1,395	1,707	1,424	1,727	66 - 85	20	>55,000	>55,000
	FW	T	9L	1,016	1,040	855	1,046	873	1,058	70 - 90	12	>55,000	>55,000
			18L	1,777	1,819	1,495	1,830	1,526	1,851	71 - 91	20	>55,000	>55,000
		G	9L	980	1,003	824	1,009	842	1,020	68 - 87	12	>55,000	>55,000
			18L	1,714	1,754	1,442	1,764	1,472	1,785	69 - 88	20	>55,000	>55,000
W	CS	T	9L	1,103	1,129	928	1,135	947	1,148	76 - 98	12	>55,000	>55,000
			18L	1,929	1,974	1,623	1,986	1,656	2,008	77 - 99	20	>55,000	>55,000
		G	9L	1,063	1,088	895	1,095	913	1,107	74 - 94	12	>55,000	>55,000
			18L	1,860	1,904	1,565	1,915	1,597	1,937	74 - 95	20	>55,000	>55,000
	CSS	T	9L	1,045	1,070	879	1,076	898	1,088	72 - 93	12	>55,000	>55,000
			18L	1,828	1,871	1,538	1,882	1,570	1,903	73 - 94	20	>55,000	>55,000
		G	9L	1,008	1,032	848	1,038	866	1,049	70 - 90	12	>55,000	>55,000
			18L	1,763	1,804	1,483	1,815	1,514	1,836	71 - 90	20	>55,000	>55,000
	FW	T	9L	932	954	784	959	800	970	65 - 83	12	>55,000	>55,000
			18L	1,630	1,668	1,371	1,678	1,400	1,697	65 - 84	20	>55,000	>55,000
		G	9L	899	920	756	925	772	936	62 - 80	12	>55,000	>55,000
			18L	1,572	1,609	1,323	1,618	1,350	1,637	63 - 81	20	>55,000	>55,000

Subject to change without notice. Visit [www.kenall.com](http://www.kenall.com) for ies files and additional information.



[www.kenall.com](http://www.kenall.com) | P: 800-4-Kenall | F: 262-891-9700 | 10200 55th Street Kenosha, Wisconsin 53144, USA  
 This product is able to comply with the latest domestic preference legislation, such as the Buy American Act (BAA), Trade Agreement Act (TAA), Build America, Buy America Act (BABA), and others. It may be covered by patents found at [www.kenall.com/patents](http://www.kenall.com/patents). Content of specification sheets is subject to change; please consult [www.kenall.com](http://www.kenall.com) for current product details. ©2024 Kenall Mfg. Co.

A brand of Legrand

# DEAD-FRONT DOWNLIGHT

## Luminaires for Wet Location/Shower Applications

### DFDL SERIES

#### PERFORMANCE - FLUSH LENS

Wide Distribution Candela Curve	DFDL6-xF-18L-40K8-W-CS-T		Distance to illuminated plane (ft)	DFDL6-xF-18L-40K8-M-CS-T		Medium Distribution Candela Curve
	Initial center beam foot-candles	Beam diameter (ft)		Initial center beam foot-candles	Beam diameter (ft)	
	56.5	5.3	5'	80.0	5.0	
	39.3	6.4	6'	55.6	6.0	
	28.8	7.5	7'	40.8	7.0	
	22.1	8.5	8'	31.3	8.0	
	17.5	9.6	9'	24.7	9.0	
	14.1	10.7	10'	20.0	10.0	
Spacing Criteria: 1.35	foot-candle multipliers for 30K8(.97), 35K8(.99), 35K9(.82), 40K9(.83), 50K8(1.01)					Spacing Criteria: 0.97
Beam Angle: 56°	Beam diameter is where foot-candles drop to 50% of maximum					Beam Angle: 53°

Wide Distribution Candela Curve	DFDL6-xF-18L-40K8-W-CSS-T		Distance to illuminated plane (ft)	DFDL6-xF-18L-40K8-M-CSS-T		Medium Distribution Candela Curve
	Initial center beam foot-candles	Beam diameter (ft)		Initial center beam foot-candles	Beam diameter (ft)	
	59.0	3.9	5'	108.9	4.5	
	41.0	4.6	6'	75.6	5.4	
	30.1	5.4	7'	55.6	6.3	
	23.1	6.2	8'	42.5	7.2	
	18.2	7.0	9'	33.6	8.1	
	14.8	7.7	10'	27.2	9.0	
Spacing Criteria: 1.28	foot-candle multipliers for 30K8(.97), 35K8(.99), 35K9(.82), 40K9(.83), 50K8(1.01)					Spacing Criteria: 0.72
Beam Angle: 42°	Beam diameter is where foot-candles drop to 50% of maximum					Beam Angle: 49°

Wide Distribution Candela Curve	DFDL6-xF-18L-40K8-W-FW-T		Distance to illuminated plane (ft)	DFDL6-xF-18L-40K8-M-FW-T		Medium Distribution Candela Curve
	Initial center beam foot-candles	Beam diameter (ft)		Initial center beam foot-candles	Beam diameter (ft)	
	57.7	6.3	5'	63.9	6.4	
	40.1	7.6	6'	44.3	7.7	
	29.4	8.8	7'	32.6	9.0	
	22.5	10.1	8'	24.9	10.3	
	17.8	11.4	9'	19.7	11.6	
	14.4	12.6	10'	16.0	12.9	
Spacing Criteria: 1.1	foot-candle multipliers for 30K8(.97), 35K8(.99), 35K9(.82), 40K9(.83), 50K8(1.01)					Spacing Criteria: 1.03
Beam Angle: 64.6°	Beam diameter is where foot-candles drop to 50% of maximum					Beam Angle: 65.6°

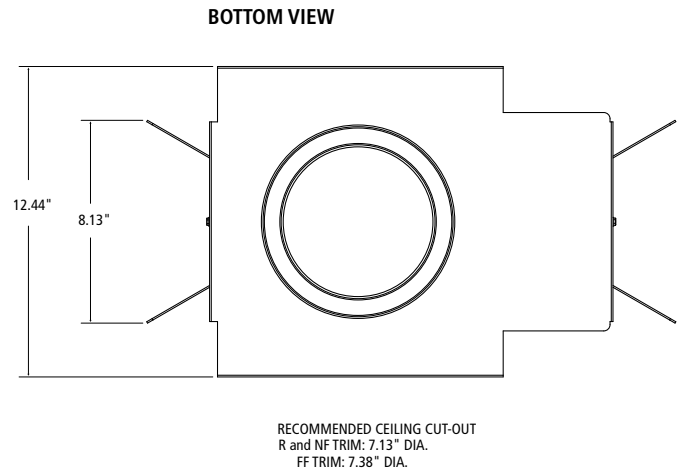
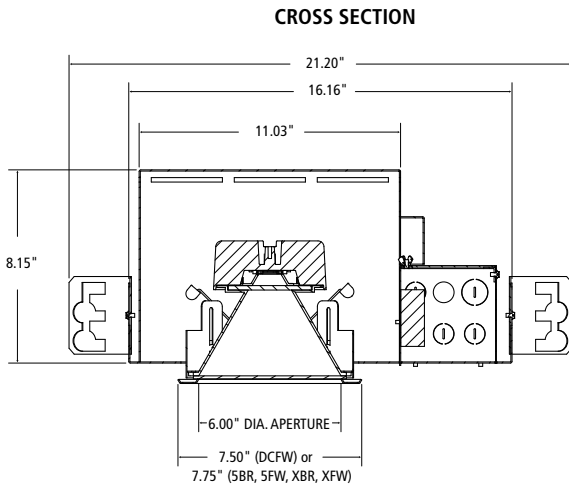


# DEAD-FRONT DOWNLIGHT

Luminaires for Wet Location/Shower Applications

## DFDL SERIES

### DIMENSIONAL DATA



www.kenall.com | P: 800-4-Kenall | F: 262-891-9700 | 10200 55th Street Kenosha, Wisconsin 53144, USA  
This product is able to comply with the latest domestic preference legislation, such as the Buy American Act (BAA), Trade Agreement Act (TAA), Build America, Buy America Act (BABA), and others. It may be covered by patents found at [www.kenall.com/patents](http://www.kenall.com/patents). Content of specification sheets is subject to change; please consult [www.kenall.com](http://www.kenall.com) for current product details. ©2024 Kenall Mfg. Co.

A brand of **legrand**