

SIMPLESEAL™

CSEFL SERIES – EXTENDED FLANGE

PRODUCT FEATURES:

- » Recessed ceiling mount – flange; 1'x4', 2'x2', 2'x4'
- » One-piece seam welded housing with extended flange assures seal against rough ceilings
- » One-piece doorframe provides air-tight integrity of luminaire
- » Suitable for Class 100 (ISO 5) environments



PROJECT INFORMATION

Job Name _____

Fixture Type _____

Catalog Number _____

Approved by _____

SPECIFICATIONS:

HOUSING: Standard 20-gauge cold rolled steel, hole-free, one-piece, seam-welded construction. White TGIC polyester powder coat finish with 5-step pre-treatment. Salt spray test: 1,000 hours; Reflectance: 92%. Housing flange is 18-gauge stainless steel or aluminum with mitered and welded corners. Flange finish matches doorframe except when PAH Housing Option (flange is painted white aluminum).

DOORFRAME: 20-gauge type 304 stainless steel (#4 finish-post fabrication) or .063 fabricated aluminum painted. One-piece 60° beveled perimeter construction. Continuous angle lens retention system. Mechanical guide for doorframe fastener alignment. Doorframe secured to housing with stainless steel aircraft cables and captive flush mounted phillips head stainless steel fasteners (8) for 2x2, (12) for 2x4; thumb screws optional.

LENS: Impact-resistant diffused acrylic lens sealed to perimeter ledge of lens aperture with silicone sealant and secured with continuous lens retention system. See Options for alternate lens selections. Lens orientation – smooth side out. Can be combined with prismatic inner lens; specify type in Lens Type field - overlay combination inner/outer (example: 2/SYM).

ELECTRICAL: Available 3500K, 4000K and 5000K color temperatures, 82 CRI; maximum 3-step MacAdam variation allowance. 120-277VAC, 50/60Hz electrical input with serviceable high power factor electronic, constant-current driver (<20% THD, >0.95 PF). Standard 0-10V dimming with 1-100% range and dim-to-dark capabilities (non dim-to-dark with 347V); 330µA maximum source current. Consult factory for fluorescent options.

INSTALLATION: Adjustable swing-out mounting brackets standard. See Options for continuous row mounting and plaster frames. Fixture should only be installed into flanged, hard ceilings; not suitable for grid ceilings.

WARRANTY: Limited five (5) year warranty.

LISTINGS: Luminaire is certified to UL standards by Intertek Testing Laboratories for Wet Location. Certified IP65 per IEC 60598. NSF2 Splash/Non-Food Zone. CCEA Approved. Suitable for BSL 1-4 laboratories.



NOT FOR GRID CEILING INSTALLATIONS

ORDERING INFORMATION (Ex: CSEFL24-45LD-35K8-DIM1-277-5F-2H-SYM-LEL)

Model	Lamp Power	Lamp Color	Driver Type	Voltage	Doorframe Option	Housing	Lens Type	Options
DIM1								
Model		Lamp Color		Voltage			Lens Type	
CSEFL14	1'x4'	35K8	3500K / 82 CRI min.	120	120 Volts		Acrylic	
CSEFL22	2'x2'	40K8	4000K / 82 CRI min.	277	277 Volts		SYM	Symmetric, Diffused DR Acrylic (STD)
CSEFL24	2'x4'	50K8	5000K / 82 CRI min.	347	347 Volts		U	.125" #12 Prismatic High Impact Acrylic
				DV	120-277 Volts		Polycarbonate	
							2	.125" #12 Prismatic
							Tempered Glass	
							TG	.125" Textured Tempered Glass
							Specified Lens	
							SL	Specified Lens
							Options	
							LEL [▲]	8.4W LED Emergency Battery Backup
							DLN	LED Night Light w/Light Level Control (100% - 20%; Voltage specific selection required; n/a 347V)
							FS	Fuse & Holder
							FN	Food Zone/Non-Contact
							TS	Stainless Steel Doorframe Thumb Screws
							HJ	Sealed Wireway
							PF	Plaster Frame
							RF	Radio Frequency Filter
							RM	Continuous Row Mounting (n/a with 347V; consult factory for ceiling cut-out)
							TH	1/2" Trade Size Threaded Hub

▲ Voltage-specific selection required. n/a with 347V 0°C/32°F min. operating environment.



www.kenall.com | P: 800-4-Kenall | F: 262-891-9701 | 10200 55th Street Kenosha, Wisconsin 53144, USA

A brand of **legrand**

This product complies with the Buy American Act: manufactured in the United States with more than 50% of the component cost of US origin. It may be covered by patents found at www.kenall.com/patents. Content of specification sheets is subject to change; please consult www.kenall.com for current product details. ©2019 Kenall Mfg. Co.

CSEFL_14_22_24-091520

SIMPLESEAL™

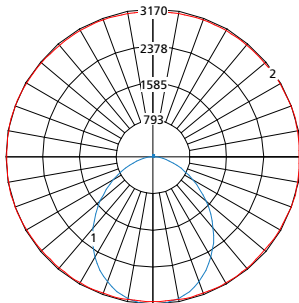
CSEFL SERIES – Technical Data

PERFORMANCE

Model	Lamp Type	Initial Delivered Lumens		Input Power (W)	Drive Current (mA)	Estd. L70 LED Life (Hrs)
		@ 25°C	Efficacy (lm/W)			
CSEFL14	45L-35K8	5,140	105	49	100	80,000
	45L-40K8	5,230	107	49	100	80,000
	45L-50K8	5,439	111	49	100	80,000
	67L-35K8	7,874	109	72	75	80,000
	67L-40K8	8,011	111	72	75	80,000
	67L-50K8	8,332	116	72	75	80,000
CSEFL22	45LD-35K8	5,461	111	46	50	80,000
	45LD-40K8	5,556	113	46	50	80,000
	45LD-50K8	5,779	118	46	50	80,000
	67L-35K8	8,365	116	72	75	80,000
	67L-40K8	8,511	118	72	75	80,000
	67L-50K8	8,852	123	72	75	80,000
CSEFL24	45LD-35K8	6,593	143	46	50	100,000
	45LD-40K8	6,709	146	46	50	100,000
	45LD-50K8	6,977	152	46	50	100,000
	67L-35K8	9,171	127	72	75	80,000
	67L-40K8	9,331	130	72	75	80,000
	67L-50K8	9,704	135	72	75	80,000
	90L-35K8	11,784	121	97	100	60,000
	90L-40K8	11,990	124	97	100	60,000
90L-50K8	12,470	129	97	100	60,000	

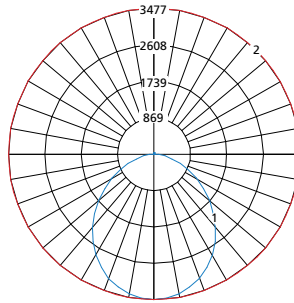
Displayed information is for selected luminaires only. Additional wattages and color temperatures are also available. Visit www.kenall.com for additional information.

Model: CSEFL14-67L-40K8-DIM1-DV-5F-2H-SYM



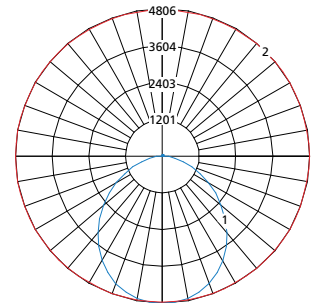
Maximum Candela = 3170 Located At Horizontal Angle = 15, Vertical Angle = 2.5
 1 - Vertical Plane Through Horizontal Angles (15-195) (Through Max. Cd.)
 2 - Horizontal Cone Through Vertical Angle (2.5) (Through Max. Cd.)

Model: CSEFL22-67L-40K8-DIM1-DV-5F-2H-SYM



Max Candela = 3477 Located At Horizontal Angle = 0, Vertical Angle = 0
 1 - Vertical Plane Through Horizontal Angles (0 - 180) (Through Max. Cd.)
 2 - Horizontal Cone Through Vertical Angle (0) (Through Max. Cd.)

Model: CSEFL24-90L-40K8-DIM1-DV-5F-2H-SYM



Max Candela = 4806 Located At Horizontal Angle = 0, Vertical Angle = 5
 1 - Vertical Plane Through Horizontal Angles (0 - 180) (Through Max. Cd.)
 2 - Horizontal Cone Through Vertical Angle (5) (Through Max. Cd.)



www.kenall.com | P: 800-4-Kenall | F: 262-891-9701 | 10200 55th Street Kenosha, Wisconsin 53144, USA

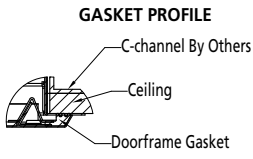
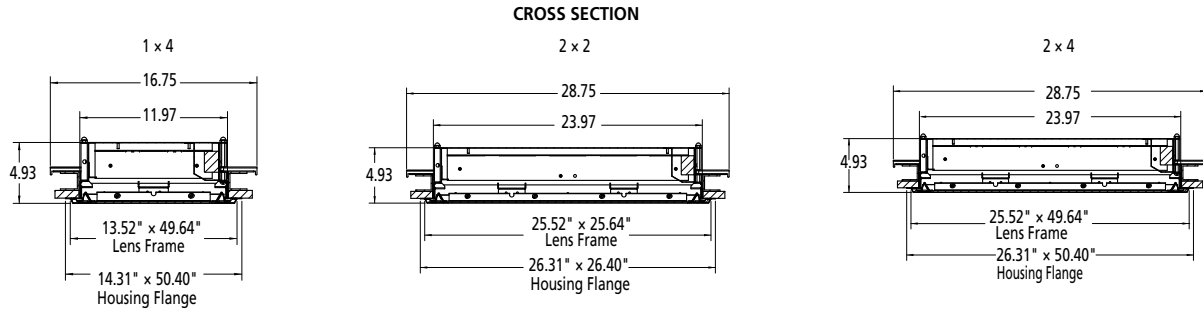
This product complies with the Buy American Act: manufactured in the United States with more than 50% of the component cost of US origin. It may be covered by patents found at www.kenall.com/patents. Content of specification sheets is subject to change; please consult www.kenall.com for current product details. ©2019 Kenall Mfg. Co.

A brand of **legrand**

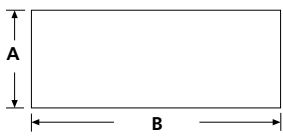
SIMPLESEAL™

CSEFL SERIES – Technical Data

DIMENSIONAL DATA



RECOMMENDED CEILING CUTOUT



CEILING CUT-OUT DIMENSIONS

	A	B
1x4	12.13	48.25
2x2	24.13	24.25
2x4	24.13	48.25



www.kenall.com | P: 800-4-Kenall | F: 262-891-9701 | 10200 55th Street Kenosha, Wisconsin 53144, USA

A brand of **legrand**

This product complies with the Buy American Act: manufactured in the United States with more than 50% of the component cost of US origin. It may be covered by patents found at www.kenall.com/patents. Content of specification sheets is subject to change; please consult www.kenall.com for current product details. ©2019 Kenall Mfg. Co.