

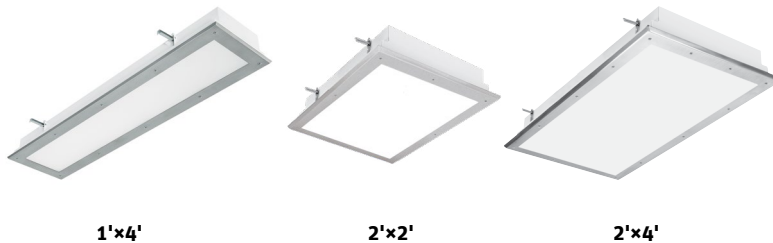
INDIGO-CLEAN™ CSEDOIC SERIES

Patented Continuous Environmental Disinfection System

Dual Mode White and Indigo Disinfection LED

PRODUCT FEATURES:

- » Two operational modes: White Disinfection Mode & Indigo Disinfection Mode
- » USP 797 and 800 compliant
- » High performance LED arrays provide uniform lens appearance
- » Diffused high-efficiency lens for reduced glare
- » Symmetric optical distribution
- » Universal housing accommodates either flange (drywall) or grid ceiling applications
- » One-piece sealed housing; smooth exterior doorframe and lens for infection control and simplified cleaning protocols



PROJECT INFORMATION	
Job Name	_____
Fixture Type	_____
Catalog Number	_____
Approved by	_____

SPECIFICATIONS

HOUSING: 20-gauge CRS. Hole-free, one-piece, seam-welded construction. Integral aluminum heatsink for thermal dissipation. 18-gauge housing flange with mitered and welded corners. Gloss white TGIC polyester powder-coat finish with 5-stage pre-treatment. Antimicrobial finish on all exposed painted surfaces of installed luminaire.

DOORFRAME: 20-gauge type 304 stainless steel (#4 finish-post fabrication). One-piece 60° beveled perimeter construction. Continuous angle lens retention system. Mechanical guide for doorframe fastener alignment. Doorframe secured to housing with stainless steel aircraft cables and captive flush mounted Phillips head stainless steel fasteners (8) for 2x2, (12) for 2x4. Thumb screws used for FN option.

OPTICS: Symmetric optic includes diffused, impact-resistant acrylic lens.

ELECTRICAL: Serviceable mid-power white LED array and high-power 405 nm indigo LED array. Available 3700K and 4300K color temperatures with maximum 3-step MacAdam variation allowance. Minimum 80 CRI standard with optional minimum 90 CRI available. 120-277VAC, 50/60Hz electrical input with serviceable high power factor electronic, constant-current drivers (<20% THD, >0.88 PF). Minimum 85% driver efficiency. Standard 0-10V dimming with 1-100% range with dim-to-dark capabilities in White Disinfection Mode. 1mA maximum source current. Two operational modes: White Disinfection Mode is a white LED array for ambient lighting plus simultaneous low-power 405nm indigo array for low-level continuous environmental disinfection. Indigo Disinfection Mode is a high power 405nm Indigo LED array for continuous environmental disinfection. Operational mode determined via internal low-voltage device based upon input provided by external IC150 room control system. EMC meets or exceeds MIL STD 461G conducted requirements.

INSTALLATION: Non-IC recessed ceiling mounting into grid and flange application types. Flange installation utilizes included adjustable swing-out mounting brackets. Grid installation suitable for 1" and 1.5" T-bar ceilings. Universal installation into flange (drywall) or grid ceiling applications.

PHOTOMETRICS: Photometry tested to the IESNA LM-79-08 standard. For additional photometric data, please contact Indigo-Clean@Kenall.com.

PATENT: Indigo-Clean products and technology covered by U.S. Patent No. US 9,039,966 and US 8,398,264. Product may also be covered by patents found at www.kenall.com/patents. Other patents pending.

WARRANTY: Limited five (5) year Kenall LED warranty.

LISTINGS: Luminaire is certified to UL standards by Intertek Testing Laboratories for IC and Wet Location installations. ETL certified IP66 per IEC 60598. NSF2 Splash/Non-Food Zone. Meets FED-STD-209E/Class 1 (ISO 3) Cleanrooms. Conducted emissions compliant with MIL-STD-461G limits. CCEA Approved. EPA Est. No. 99283-WI-1.



ORDERING INFORMATION (Ex: CSEDOIC-24-150I/100L-43K8-DCC-DV-2F-2H-SYM)

Model	Size	Lamp Power	Lamp Color	Driver	Input Voltage	Doorframe	Housing	Optics	Options
CSEDOIC				DCC	DV			SYM	
Size				Driver Type		Optics			
14	1'x4' Nominal			DCC	0-10V Dimming	SYM Symmetric, Diffused DR Acrylic			
22	2'x2' Nominal			Input Voltage		Options			
24	2'x4' Nominal			DV	120-277VAC, 50/60Hz	LEL 8.4W Integral Emergency Battery Pack			
Lamp Power				Doorframe Options		FS Fuse & Holder			
1'x4'				5F	20-Ga Type 304 SS (STD)	RM* Continuous Row Mounting			
75I/50L	75 Watt Indigo/50 Watt White Disinfection LED			2F	20-Ga CRS				
2'x2'				XF	20-Ga Type 316 SS				
75I/50L	75 Watt Indigo/50 Watt White Disinfection LED			PAF	.063" Painted Fabricated Aluminum				
2'x4'				Housing Options					
150I/100L	150 Watt Indigo/100 Watt White Disinfection LED			2H	20-Ga CRS; Painted Antimicrobial (STD)				
Lamp Color				5H	20-Ga Type 304 SS				
37K8	3700K, 80 CRI			PAH	.050" Painted Antimicrobial Aluminum				
37K9	3700K, 90 CRI								
43K8	4300K, 80 CRI								
43K9	4300K, 90 CRI								

* Only available when installing in drywall ceilings (flange mount)



www.kenall.com | P: 800-4-Kenall | F: 262-891-9701 | 10200 55th Street Kenosha, Wisconsin 53144, USA

This product complies with the Buy American Act: manufactured in the United States with more than 50% of the component cost of US origin. It may be covered by patents found at www.kenall.com/patents. Content of specification sheets is subject to change; please consult www.kenall.com for current product details. ©2019 Kenall Mfg. Co.

A brand of **legrand**

INDIGO-CLEAN™ CSEDOIC Series

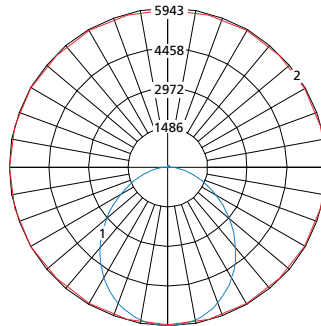
Patented Continuous Environmental Disinfection System

Dual Mode White and Indigo Disinfection LED

Size	Mode	Lamp Code	Delivered Lumens (lm)	Input Power (W)	Color Rendering		TM-30 Color Quality		Est. L70 LED Life (Hrs)
					R _a	R _g	R _f	R _g	
1'x4'	White Disinfection Mode	75I/50L-37K8	6,787	68	85	15	80	100	125,000
		75I/50L-37K9	5,576	68	96	59	92	100	
		75I/50L-43K8	6,767	68	84	11	80	99	
		75I/50L-43K9	5,759	68	93	53	90	98	
	Indigo Disinfection Mode	All	-	75	-	-	-	-	50,000
2'x2'	White Disinfection Mode	75I/50L-37K8	7,093	69	85	15	80	100	125,000
		75I/50L-37K9	5,827	69	96	59	92	100	
		75I/50L-43K8	7,073	69	84	11	80	99	
		75I/50L-43K9	6,019	69	93	53	90	98	
	Indigo Disinfection Mode	All	-	75	-	-	-	-	50,000
2'x4'	White Disinfection Mode	150I/100L-37K8	14,712	138	85	15	80	100	125,000
		150I/100L-37K9	11,434	138	96	59	92	100	
		150I/100L-43K8	14,669	138	84	11	80	99	
		150I/100L-43K9	12,483	138	93	53	90	98	
	Indigo Disinfection Mode	All	-	149	-	-	-	-	50,000

Information subject to change without notice. TM-30 Color Vector Graphic available upon request. Visit www.kenall.com for .ies files and additional information.

Model: CSEDOIC-24-150I/100L-43K8-DCC-DV-2F-2H-SYM

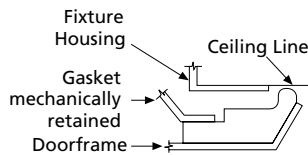


Maximum Candela = 5943 Located At Horizontal Angle = 0, Vertical Angle = 2.5

- 1 - Vertical Plane Through Horizontal Angles (0-180) (Through Max. Cd.)
- 2 - Horizontal Cone Through Vertical Angle (2.5) (Through Max. Cd.)

DIMENSIONAL DATA

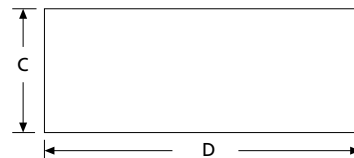
GASKET PROFILE



CROSS SECTION



CEILING CUTOUT



DIMENSIONAL DATA (IN INCHES)

	A	B	C	D
1x4	4.43	11.94 x 47.94	10.85	46.85
2x2	4.43	23.94 x 23.94	22.85	22.85
2x4	4.43	23.94 x 47.94	22.85	46.85



www.kenall.com | P: 800-4-Kenall | F: 262-891-9701 | 10200 55th Street Kenosha, Wisconsin 53144, USA

A brand of **legrand**

This product complies with the Buy American Act: manufactured in the United States with more than 50% of the component cost of US origin. It may be covered by patents found at www.kenall.com/patents. Content of specification sheets is subject to change; please consult www.kenall.com for current product details. ©2019 Kenall Mfg. Co.

CSEDOIC-010521

INDIGO-CLEAN™ ROOM CONTROLLER SYSTEM

IC150 SERIES

PRODUCT FEATURES:

- » Room-level Disinfection Mode Control
- » Infrared Occupancy Detection

SPECIFICATIONS

IC150 CONTROLLER: Centralized, zonal whole room continuous disinfection. Automatically switches Indigo-Clean luminaires between white disinfection and Indigo-Clean disinfection modes. Receives input from passive-infrared (PIR) with optional switch (by others). 0-10VDC dimming signal output to luminaires. Integral LED indicators provide system status. Maximum sink current per controller: 30mA.

IC150 SENSORS: Operates by low-voltage power provided by IC150 Controller. Infrared lenses provide 360° coverage, 48' diameter from 8' height. Adjustable occupancy time-out delay 0-30 min.

CONTROLLER HOUSING: Seam-welded 18-gauge CRS. White TGIC polyester powder coat finish with five-step pre-treatment. Housings provided with multiple 1/2" and 3/4" conduit knockouts. Controller housing includes clear polycarbonate window for viewing of system status indicators. Silicone gasketing. Pin-tumbler style keyed lock. All locks are keyed alike, two keys included.

INSTALLATION: Controller housing suitable for mounting to wall or ceiling surfaces with four-point mounting. Housing is not intended for installation within the cleanroom rated space. All signal cabling shall be wired Class I with 18AWG, 600V TFFN wire. IC150 PIR sensors suitable for mounting to ceiling junction box.

PROJECT INFORMATION

Job Name _____

Fixture Type _____

Catalog Number _____

Approved by _____



Controller



PIR Sensor

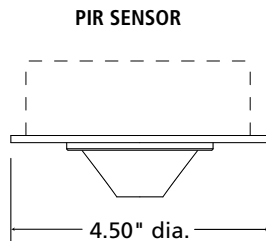
ORDERING INFORMATION

Model	PIR Sensor Quantity	Voltage
IC150		DV
	PIR Sensor Quantity 1IR One PIR Sensor 2IR Two PIR Sensors 3IR Three PIR Sensors 4IR Four PIR Sensors 5IR Five PIR Sensors	Voltage DV 120-277 Volts

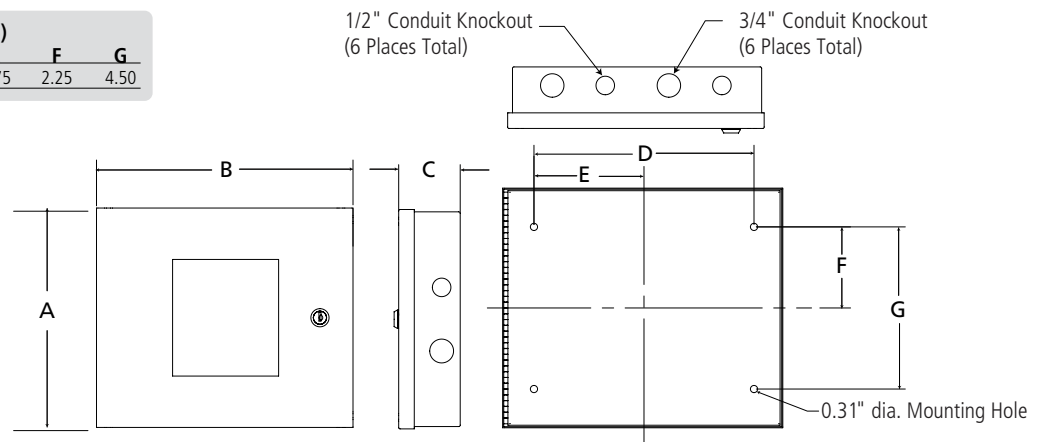
DIMENSIONAL DATA

DIMENSIONAL DATA (IN INCHES)

A	B	C	D	E	F	G
6.85	14.10	2.90	9.50	4.75	2.25	4.50



CONTROLLER HOUSING



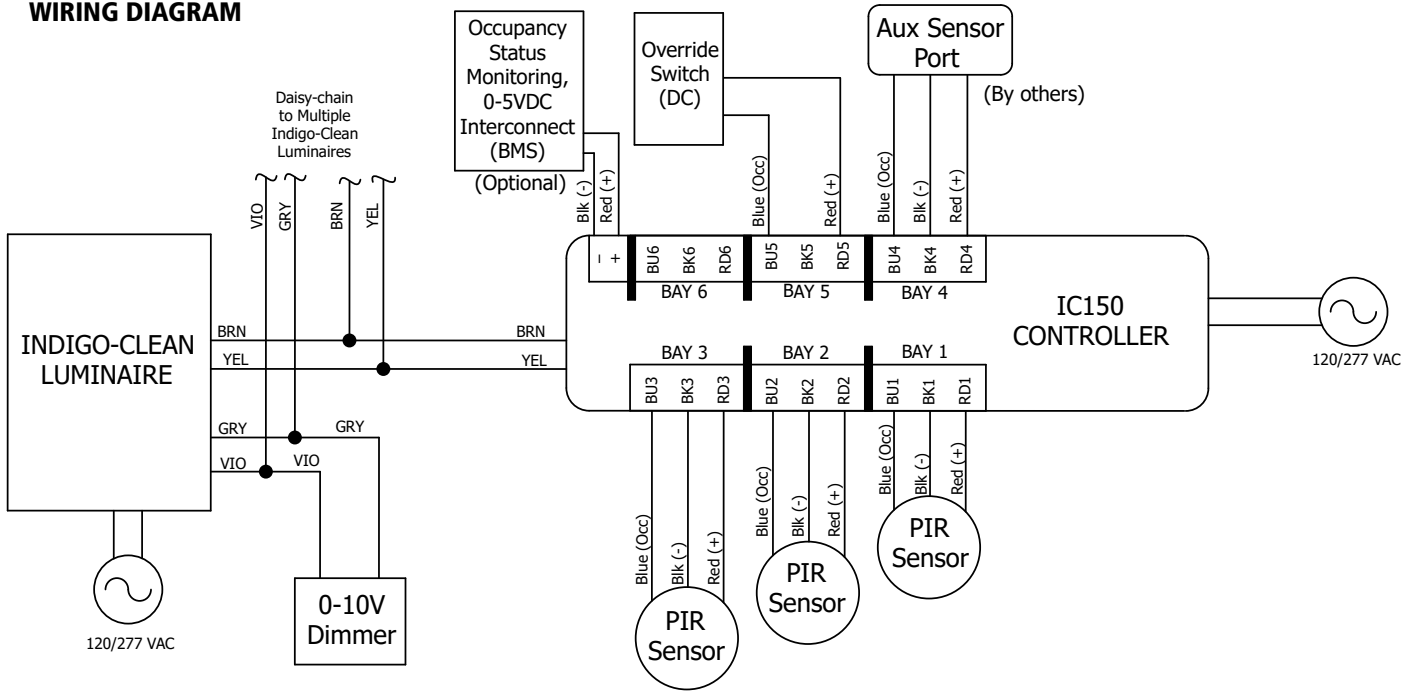
www.kenall.com | P: 800-4-Kenall | F: 262-891-9701 | 10200 55th Street Kenosha, Wisconsin 53144, USA

A brand of **legrand**

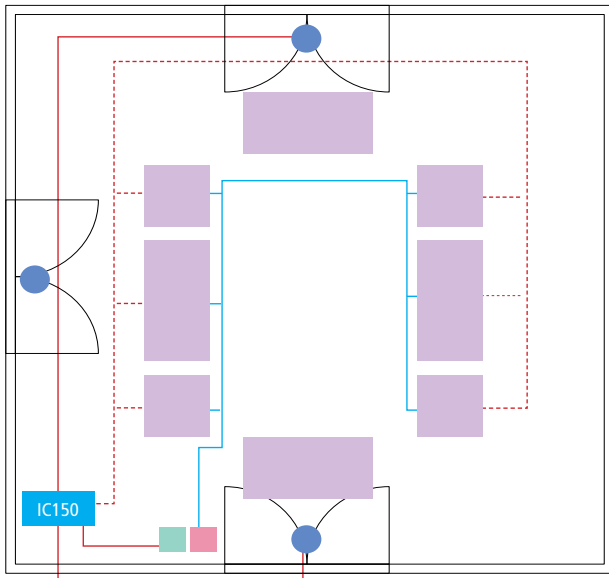
This product complies with the Buy American Act: manufactured in the United States with more than 50% of the component cost of US origin. It may be covered by patents found at www.kenall.com/patents. Content of specification sheets is subject to change; please consult www.kenall.com for current product details. ©2019 Kenall Mfg. Co.

INDIGO-CLEAN™ ROOM CONTROLLER SYSTEM

IC150 SERIES WIRING DIAGRAM



TYPICAL LUMINAIRE/IC150 CONTROLS ROOM LAYOUT



- Indigo-Clean Fixtures
- Passive Infrared Sensor
- External 0-10V Dimmer
- White Disinfection Mode Override Switch (DC) <OPTIONAL>

IC150 Mode Control Load Limits

Product	Source Current per Luminaire (mA)	Max Luminaires per IC150 Controller
CSEDOIC-14	0.5	60
CSEDOIC-22	0.5	60
CSEDOIC-24	1	30

NOTE: Multiple Indigo-Clean product types may be controlled from a single IC150 controller as long as the maximum sink current rating (30µA) is not exceeded.



www.kenall.com | P: 800-4-Kenall | F: 262-891-9701 | 10200 55th Street Kenosha, Wisconsin 53144, USA

This product complies with the Buy American Act: manufactured in the United States with more than 50% of the component cost of US origin. It may be covered by patents found at www.kenall.com/patents. Content of specification sheets is subject to change; please consult www.kenall.com for current product details. ©2019 Kenall Mfg. Co.

A brand of **legrand**