

SIMPLESEAL™ NARROW SPECTRUM CSEDI SERIES – RED & WHITE LED – INSET DOOR

PRODUCT FEATURES:

- » Narrow-spectrum 630nm red LED circuit provides only high-purity light for spectrally-sensitive applications
- » High-output, high-CRI white LED circuit provides visual acuity and accurate color rendition
- » Diffused high-efficiency lens for reduced glare
- » One-piece inset doorframe, secured to housing with aircraft cables
- » Suitable for universal installation into 1.0" and 1.5" grid or flange (drywall) ceilings

SPECIFICATIONS

HOUSING: 20-gauge CRS. Hole-free, one-piece, seam-welded construction. Integral aluminum heat sink for thermal dissipation. 18-gauge housing flange with mitered and welded corners. White TGIC polyester powder coat finish – 5-step pre-treatment. Salt spray test: 1,000 hours; Reflectance: 92%.

DOORFRAME: 18-gauge CRS. One-piece inset-style construction with welded corners. Gloss white TGIC polyester powder coat finish with 5-stage pre-treatment. Doorframe secured to housing with stainless steel aircraft cables and captive, flush-mounted Phillips-head fasteners. Closed-cell silicone gasket seals doorframe to housing.

OPTICS: Symmetric optic includes diffused, impact-resistant acrylic lens.

ELECTRICAL: Replaceable white mid-power LED array. Available 3500K, 4000K and 5000K color temperatures with maximum 3-step MacAdam variation allowance. Minimum 82 CRI, R9>0. 630nm red mid-power LED array (16nm FWHM bandwidth). 120/277VAC or 347VAC, 50/60Hz electrical input with replaceable high power factor electronic, constant-current driver (<10% THD, >0.90 PF). Minimum 85% driver efficiency. Standard 0-10V dimming with 1-100% range with dim-to-dark capabilities on white and red circuit. 495 µA maximum source current per circuit. White circuit and red circuit can be independently powered and dimmed.

INSTALLATION: Non-IC recessed ceiling mounting into grid and flange application types. Flange installation utilizes included adjustable swing-out mounting brackets. Grid installation suitable for 1" and 1.5" T-bar ceilings. Universal installation into grid or flange (drywall) ceiling applications. See Options for continuous row mounting and install frames.

PHOTOMETRICS: Photometry tested to the IESNA LM-79-08 standard. For additional photometric data, please go to www.kenall.com

WARRANTY: Limited five (5) year warranty.

LISTINGS: Luminaire is certified to UL standards by Intertek Testing Laboratories for Wet Location. Certified IP65 per IEC 60598. NSF2 Splash/Non-Food Zone. CCEA Approved. Meets K230 Leakage Standard for luminaire leakage in pressurized environments and FED-STD-209E/Class 1 (ISO 3) Cleanrooms. Suitable for BSL 1-2 laboratories.

PROJECT INFORMATION	
Job Name	_____
Fixture Type	_____
Catalog Number	_____
Approved by	_____



1'x4'

2'x2'

2'x4'



ORDERING INFORMATION (Ex: CSEDI-24-23R/67L-40K8-DCC-DV-2F-2H-SYM)

Model	Size	Lamp Power	Lamp Color	Driver	Voltage	Doorframe	Housing	Optics	Options
CSEDI				DCC				SYM	

Size

14	1'x4'
22	2'x2'
24	2'x4'

Lamp Power

1'x4'

23R/45L	23 Watt Red/45 Watt White LED
23R/67L	23 Watt Red/67 Watt White LED
23R	23 Watt Red LED

2'x2'

23R/45L	23 Watt Red/45 Watt White LED
23R/67L	23 Watt Red/67 Watt White LED
23R	23 Watt Red LED

2'x4'

23R/67L	23 Watt Red/67 Watt White LED
23R/90L	23 Watt Red/90 Watt White LED
23R/135L	23 Watt Red/135 Watt White LED
46R	46 Watt Red LED

Lamp Color†

35K8	3500K, 82 CRI
40K8	4000K, 82 CRI
50K8	5000K, 82 CRI

Driver Type

DCC Dimming Constant Current

Voltage

DV	120-277VAC, 50/60Hz
120	120VAC
277	277VAC
347	347VAC

Doorframe Options

2F	18-Ga CRS (STD)
5F	20-Ga Type 304 SS Brushed
AF	Anodized Aluminum
PAF	Painted Fabricated Aluminum

Housing Options

2H	20-Ga CRS (STD)
5H	20-Ga Type 304 SS
PAH	.050" Painted Aluminum

Optics

SYM Symmetric, Diffused DR Acrylic

Options

LEL▲	Emergency Battery Pack
10KV	10KV/KA Surge Protection per IEEE/ANSI C62.41 Cat. A
AMF▼	Antimicrobial Finish
FS	Fuse & Holder
HJ	Sealed Wireway
RF•	Radio Frequency Filter
RM†	Continuous Row Mounting

Accessories

IF*† Install Frame

* Add .375" to ceiling cut out dimensions

† Only available when installed in drywall ceilings (flange mount), Consult factory for ceiling layout assistance

• Voltage specific selection required. n/a with 23R/67L lamp on 1'x4' and 2'x2' sizes

▲ Voltage specific selection required; n/a with 347V wired to white LED when red white lamping is selected. Height of fixture is 5.875" with LEL Option

‡ Not applicable for all-red configurations

▼ Applied only to exposed painted surfaces of luminaire (not available on stainless steel doorframes)



www.kenall.com

P: 800-4-Kenall

F: 262-891-9701

10200 55th Street Kenosha, Wisconsin 53144

When you see this image, you will know the Kenall product shown or described is designed and manufactured in the USA with components purchased from US suppliers, and meets the Buy American requirements under the ARRA. Kenall has not determined the origin of its domestically purchased components or the subcomponents thereof. May be covered by patents found at www.kenall.com/patents. Content of specification sheets is subject to change; please consult www.kenall.com for current product details. © 2019 Kenall Mfg. Co. All rights reserved.

CSEDI_14_22_24-RED-101618

SIMPLESEAL™

CSEDI SERIES – TECHNICAL DATA

PERFORMANCE

Red/White LED

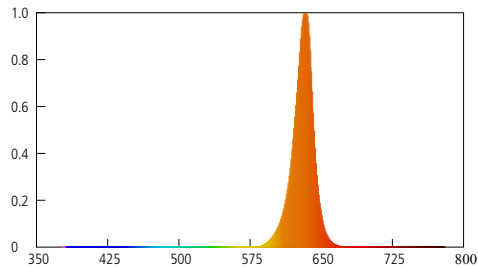
Size	Lamp Code	Initial Delivered Lumens			Initial Delivered Lumens			White/Red Estd. L ₇₀ LED Life (hrs)
		White Lamp @ 25°C (lm)	Efficacy - White (lm/W)	Input Power White (W)	Red Lamp @ 25°C (lm)	Efficacy - Red (lm/W)	Input Power Red (W)	
1' × 4'	23R/45L-35K8	5,403	110	49	1,021	36	28	80,000 / 36,000
	23R/45L-40K8	5,587	114	49	1,021	36	28	80,000 / 36,000
	23R/45L-50K8	5,970	122	49	1,021	36	28	80,000 / 36,000
	23R/67L-35K8	8,277	115	72	1,021	36	28	80,000 / 36,000
	23R/67L-40K8	8,559	119	72	1,021	36	28	,000 / 36,000
	23R/67L-50K8	9,144	127	72	1,021	36	28	80,000 / 36,000
2' × 2'	23R/45L-35K8	5,226	107	49	1,021	36	28	80,000 / 36,000
	23R/45L-40K8	5,404	110	49	1,021	36	28	80,000 / 36,000
	23R/45L-50K8	5,774	118	49	1,021	36	28	80,000 / 36,000
	23R/67L-35K8	8,005	111	72	1,021	36	28	80,000 / 36,000
	23R/67L-40K8	8,278	115	72	1,021	36	28	80,000 / 36,000
	23R/67L-50K8	8,844	123	72	1,021	36	28	80,000 / 36,000
2' × 4'	23R/67L-35K8	8,537	119	72	1,021	36	28	80,000 / 36,000
	23R/67L-40K8	8,828	123	72	1,021	36	28	80,000 / 36,000
	23R/67L-50K8	9,432	131	72	1,021	36	28	80,000 / 36,000
	23R/90L-35K8	10,970	112	98	1,021	36	28	60,000 / 36,000
	23R/90L-40K8	11,344	116	98	1,021	36	28	60,000 / 36,000
	23R/90L-50K8	12,120	124	98	1,021	36	28	60,000 / 36,000
	23R/135L-35K8	15,550	106	147	1,021	36	28	60,000 / 36,000
	23R/135L-40K8	16,081	109	147	1,021	36	28	60,000 / 36,000
	23R/135L-50K8	17,181	117	147	1,021	36	28	60,000 / 36,000

Red LED

Size	Lamp Type	Initial Delivered Lumens			Estd. L ₇₀ LED Life (hrs)
		Red Lamp @ 25°C (lm)	Efficacy - Red (lm/W)	Input Power Red (W)	
1' × 4'	23R	1,021	36	28	36,000
2' × 2'	23R	1,021	36	28	36,000
2' × 4'	46R	2,042	36	56	36,000

Subject to change without notice. Visit www.kenall.com for .ies files and additional information

Spectroradiometric Parameters



Purity: 1.0
 UV: 0.0000% (<390nm)
 Radiant Flux < 575nm: 0.000%
 Bandwidth: 16nm
 Peak Wavelength: 630nm



www.kenall.com

P: 800-4-Kenall

F: 262-891-9701

10200 55th Street Kenosha, Wisconsin 53144

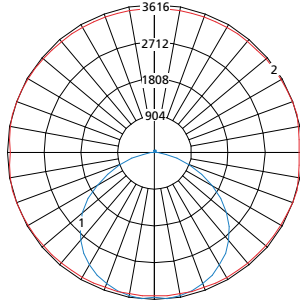
When you see this image, you will know the Kenall product shown or described is designed and manufactured in the USA with components purchased from US suppliers, and meets the Buy American requirements under the ARRA. Kenall has not determined the origin of its domestically purchased components or the subcomponents thereof. May be covered by patents found at www.kenall.com/patents. Content of specification sheets is subject to change; please consult www.kenall.com for current product details. © 2019 Kenall Mfg. Co. All rights reserved.

SIMPLESEAL™

CSEDI SERIES – TECHNICAL DATA

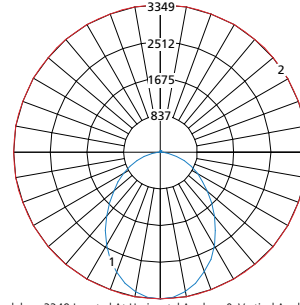
PERFORMANCE

Model: CSEDI14-23R/67L-40K8-DCC-120-2F-2H-SYM (White Mode)



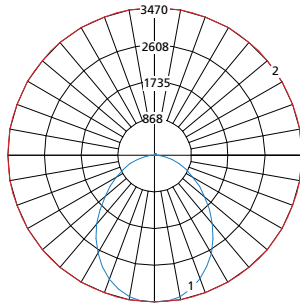
Maximum Candela = 3616 Located At Horizontal Angle = 15, Vertical Angle = 5
 1 - Vertical Plane Through Horizontal Angles (15-195) (Through Max. Cd.)
 2 - Horizontal Cone Through Vertical Angle (5) (Through Max. Cd.)

Model: CSEDI22-23R/67L-40K8-DCC-120-2F-2H-SYM (White Mode)



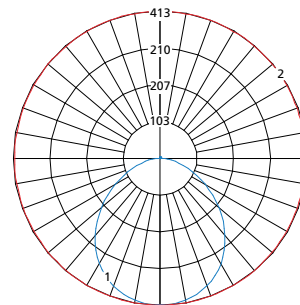
Maximum Candela = 3349 Located At Horizontal Angle = 0, Vertical Angle = 0
 1 - Vertical Plane Through Horizontal Angles (0-180) (Through Max. Cd.)
 2 - Horizontal Cone Through Vertical Angle (0) (Through Max. Cd.)

Model: CSEDI24-23R/67L-40K8-DCC-120-2F-2H-SYM (White Mode)



Maximum Candela = 3470 Located At Horizontal Angle = 0, Vertical Angle = 0
 1 - Vertical Plane Through Horizontal Angles (0-180) (Through Max. Cd.)
 2 - Horizontal Cone Through Vertical Angle (0) (Through Max. Cd.)

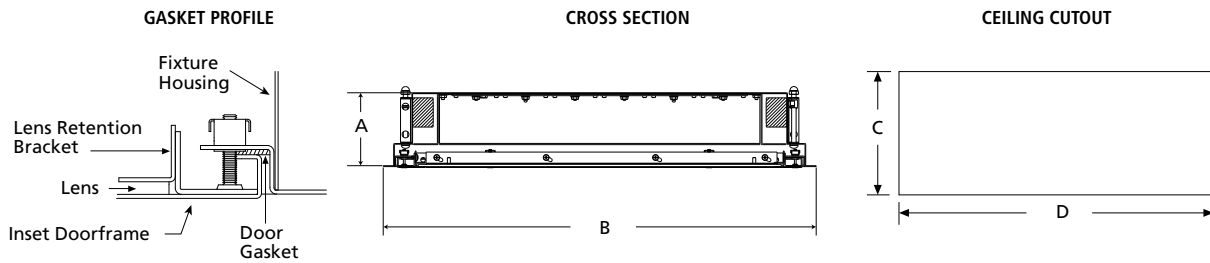
Model: CSEDI24-23R/67L-40K8-DCC-120-2F-2H-SYM (Red Mode)*



Maximum Candela = 413 Located At Horizontal Angle = 75, Vertical Angle = 2.5
 1 - Vertical Plane Through Horizontal Angles (75-255) (Through Max. Cd.)
 2 - Horizontal Cone Through Vertical Angle (2.5) (Through Max. Cd.)

*Luminous intensity of "red" mode is equal across all product sizes

DIMENSIONAL DATA



DIMENSIONAL DATA (IN INCHES)

	A	B	C	D
1x4	4.20	11.75 x 47.75	10.85	46.85
2x2	4.20	23.75 x 23.75	22.85	22.85
2x4	4.20	23.75 x 47.75	22.85	46.85

* Add .375" to ceiling cut out dimensions when IF Option is specified

** Height is 5.875" with LEL option



www.kenall.com

P: 800-4-Kenall

F: 262-891-9701

10200 55th Street Kenosha, Wisconsin 53144

When you see this image, you will know the Kenall product shown or described is designed and manufactured in the USA with components purchased from US suppliers, and meets the Buy American requirements under the ARRA. Kenall has not determined the origin of its domestically purchased components or the subcomponents thereof. May be covered by patents found at www.kenall.com/patents. Content of specification sheets is subject to change; please consult www.kenall.com for current product details. © 2019 Kenall Mfg. Co. All rights reserved.

CSEDI_14_22_24-RED-101618