

SIMPLESEAL™

CSECL14 SERIES – LF CORNER

PROJECT INFORMATION

Job Name _____

Fixture Type _____

Catalog Number _____

Approved by _____

PRODUCT FEATURES:

- » Surface corner mount – 8" x 48"
- » One-piece seam welded housing with extruded aluminum extended flange assures seal against rough ceilings
- » One-piece doorframe provides air-tight integrity of luminaire
- » Suitable for Class 100 (ISO 5) environments



SPECIFICATIONS:

HOUSING: 20-gauge CRS. Hole-free one-piece seam welded construction. White TGIC polyester powder coat finish – 5-step pre-treatment. Salt spray test: 1,000 hours; Reflectance: 92%.

DOORFRAME: Heavy duty extruded marine grade aluminum with anodized finish. Continuous angle lens retention system. Mechanical guide for doorframe fastener alignment. Doorframe secured to housing with stainless steel aircraft cables and (10) captive flush mounted Phillips head stainless steel fasteners.

LENS: .125" #12 high impact acrylic lens sealed to perimeter ledge of lens aperture with silicone sealant and secured with continuous lens retention system. Lens orientation – smooth side out. See Options for alternate lens selections. If required, specify lens overlay combinations inner/outer (Example: R/T).

DOORFRAME GASKET: One-piece closed cell extruded nitrile gasket seals doorframe to housing.

ELECTRICAL: Electronic ballast <10% THD standard. See Ordering Information for alternate or multiple ballasts, sealed wireway and optional equipment. Lamps by others.

INSTALLATION: Four .312" (.79cm) holes for surface mounting.

WARRANTY: Limited one (1) year Kenall fluorescent warranty.

LISTINGS: UL and CUL Listed for Wet Locations. UL Classified IP65. FED-STD 209E/Class 100 (ISO 5) Cleanrooms.



ORDERING INFORMATION (Ex: CSECL14-1-54-RS-1-277-AF-2H-U-FS)

Model	Lamp Qty/Type	Ballast Type	Ballast Qty	Voltage	Doorframe Option	Housing	Lens Type	Options
CSECL14								
Lamp Qty/Lamp Type		Ballast Quantity		Doorframe Options		Lens Type		
1-32	One F32T8	1	One	AF	Anodized Aluminum (STD)	Acrylic		
2-32	Two F32T8	2	Two	PAF	.063" Painted Fabricated Aluminum	T	.125" Clear	
3-32	Three F32T8					U	.125" #12 Prismatic High Impact Acrylic (STD)	
1-44	One F48T8HO	Voltage		Housing Options		Polycarbonate		
2-44	Two F48T8HO	120	120 Volts	2H	20-Ga CRS (STD)	2	.125" #12 Prismatic	
1-54	One F54T5HO	277	277 Volts	5H	20-Ga Type 304 SS	G	.125" Clear	
2-54	Two F54T5HO	347	347 Volts	XH	20-Ga Type 316 SS	Tempered Glass		
Ballast Type				PAH	.050" Painted Aluminum	TG	.125" Textured Tempered Glass	
IS	Instant Start Electronic <10% THD					Specified Lens		
RS	Rapid Start Electronic <10% THD (STD)					SL	Specified Lens	
SB	Specified Ballast					Options		
						EL	One-Lamp Indoor Battery Pack (32°F)	
						FS	Fuse & Holder	
						HJ	Sealed Wireway	
						RF	Radio Frequency Filter	
						TH	1/2" Trade Size Threaded Hub	
						TN	5/7/9 Watt Night Light (FL)	
						UV	UV Filtering Lens (Specify)	



www.kenall.com | P: 800-4-Kenall | F: 262-891-9701 | 10200 55th Street Kenosha, Wisconsin 53144, USA

This product complies with the Buy American Act: manufactured in the United States with more than 50% of the component cost of US origin. It may be covered by patents found at www.kenall.com/patents. Content of specification sheets is subject to change; please consult www.kenall.com for current product details. ©2019 Kenall Mfg. Co.

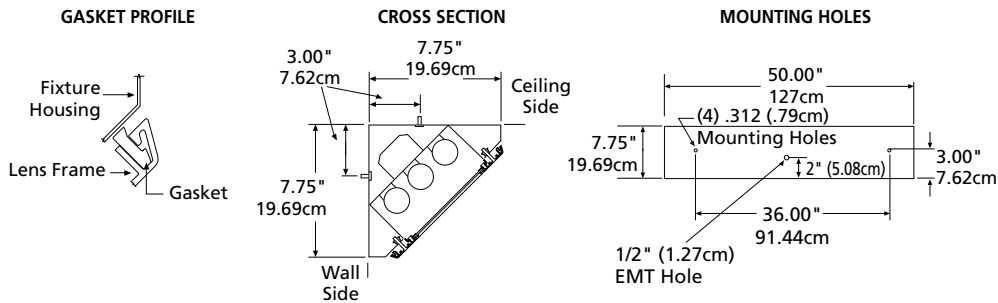
A brand of **Legrand**

CSECL14-071520

SIMPLESEAL™

CSECL14 SERIES – Technical Data

DIMENSIONAL DATA



www.kenall.com | P: 800-4-Kenall | F: 262-891-9701 | 10200 55th Street Kenosha, Wisconsin 53144, USA

A brand of **Legrand**

This product complies with the Buy American Act: manufactured in the United States with more than 50% of the component cost of US origin. It may be covered by patents found at www.kenall.com/patents. Content of specification sheets is subject to change; please consult www.kenall.com for current product details. ©2019 Kenall Mfg. Co.