

SIMPLESEAL™ ARCHITECTURAL

CSEAI SERIES

PRODUCT FEATURES:

- » Surface, recessed grid or recessed flange mount
1'x4', 2'x2', 2'x4' sizes
- » Center diffuser provides indirect ambient lighting
- » Ingress Barrier Door provides consistent surface for cleanability



PROJECT INFORMATION

Job Name _____

Fixture Type _____

Catalog Number _____

Approved by _____

SPECIFICATIONS

HOUSING: 20-gauge CRS (18-gauge with Surface Mounting). Hole-free, one-piece, seam-welded construction. 18-gauge housing flange with mitered and welded corners (Grid and Flange Mounting). White TGIC polyester powder coat with 5-stage pre-treatment. Salt spray test 1,000 hours. Reflectance 92%. See Ordering Options for Antimicrobial Finish.

DOORFRAME: Heavy duty extruded aluminum with clear satin anodized finish. Doorframe supported to housing with aircraft cables. Phillips head stainless steel fasteners secure door to housing – eight (8) with (1x4, 2x2), ten (10) with (2x4). Extruded closed cell gasket seals doorframe to housing.

OPTICS: Extruded high-efficiency frosted DR acrylic inner diffuser. Clear impact-resistant acrylic outer lens is sealed to door frame with vinyl gasketing.

ELECTRICAL: Available 3000K, 3500K, 4000K and 5000K color temperatures, 82 CRI. 120-277VAC and 347V, 50/60Hz electrical input with serviceable high power factor electronic, constant-current driver (<20% THD, >0.95 PF). Standard 0-10V dimming with 1-100% range and dim-to-dark capabilities (non dim-to-dark with 347V); 330µA maximum source current.

SENSOR & CONTROLS: Optional sensor available with compatible third party controls. To see the full list of compatible controls, [click here](#).

INSTALLATION: SURFACE MOUNT: Four .312" diameter holes. GRID MOUNT: Designed for 1" and 1.5" grid. (Housing includes hanging brackets to secure housing with wire to super structure). FLANGE MOUNT: Yoke mounting hardware & brackets included. Install Frame and Plaster Frames both positively locates yoke brackets within ceiling opening assures alignment of fixture. Install frame has no need for drywall backing; backing is supplied on the frame brackets.

WARRANTY: Limited five (5) year LED warranty.

LISTINGS: Luminaire is certified to UL Standards by Intertek Testing Laboratory for Wet Locations and non-IC recessed installations. ETL certified IP65 per IEC 60598. NSF2 Splash Zone.



ORDERING INFORMATION (Ex: CSEAI-24-G-67L-35K8-DIM1-277-LEL)

Model	Size	Mounting	Lamp Power	Lamp Color	Driver Type	Voltage	Options	Accessories
CSEAI					DIM1			
Size			Lamp Power			Input Voltage		
14	1'x4'		1x4/2x2			DV	120-277VAC, 50/60Hz	
22	2'x2'		45L	45 Watt LED		120	120VAC, 50/60Hz	
24	2'x4'					277	277VAC, 50/60Hz	
			2x4			347	347VAC, 50/60Hz	
Mounting Options			45L	45 Watt LED				
F	Flange		67L	67 Watt LED				
S	Surface		90L	90 Watt LED				
G	Grid (1" and 1.5")							
			Lamp Color				Options	
			30K8	3000K/82CRI min			LEL*	8.4W LED Emergency Battery Pack
			35K8	3500K/82CRI min			AMF	Antimicrobial Finish on exposed painted surfaces
			40K8	4000K/82CRI min			FS	Single Fuse & Holder
			50K8	5000K/82CRI min			RF	Radio Frequency Filter
							RM	Continuous Row Mount (Flange only)
							TH	1/2" Trade Size Threaded Hub
			Driver Type				Accessories	
			DIM1	0-10V Dimming to 1%			IF†	Install Frame
							PF†	Plaster Frame

* Voltage-specific selection required; n/a 347V; 0°C/32°F min. ambient
† Add 0.375" to ceiling cutout dimensions. Flange mounting only.



www.kenall.com | P: 800-4-Kenall | F: 262-891-9701 | 10200 55th Street Kenosha, Wisconsin 53144, USA

A brand of **legrand**

This product complies with the Buy American Act: manufactured in the United States with more than 50% of the component cost of US origin. It may be covered by patents found at www.kenall.com/patents. Content of specification sheets is subject to change; please consult www.kenall.com for current product details. ©2022 Kenall Mfg. Co.

CSEAI-14_22_24-012722

SIMPLESEAL™ ARCHITECTURAL

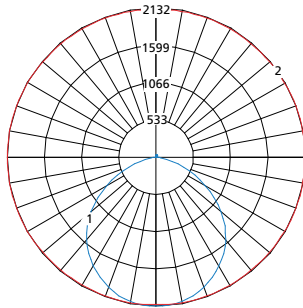
CSEAI SERIES

PERFORMANCE

Model	Lamp Type	Initial Delivered Lumens		Input Power (W)	Drive Current (mA)	Estd. L70 LED Life (Hrs)
		@ 25°C	Efficacy (lm/W)			
CSEAI-14	45L-30K8	4,559	93	49	100	80,000
	45L-35K8	4,700	96			
	45L-40K8	4,861	99			
	45L-50K8	5,193	106			
CSEAI-22	45L-30K8	4,350	89	49	100	80,000
	45L-35K8	4,484	92			
	45L-40K8	4,638	95			
	45L-50K8	4,955	101			
CSEAI-24	45L-30K8	4,983	102	49	100	80,000
	45L-35K8	5,137	105			
	45L-40K8	5,312	108			
	45L-50K8	5,675	116			
	67L-30K8	7,580	105	72	75	80,000
	67L-35K8	7,815	109			
	67L-40K8	8,082	112			
	67L-50K8	8,634	120			
	90L-30K8	9,741	100	97	100	80,000
	90L-35K8	10,042	104			
90L-40K8	10,385	107				
90L-50K8	11,095	114				

Information subject to change without notice. Visit www.kenall.com for IES files and additional information

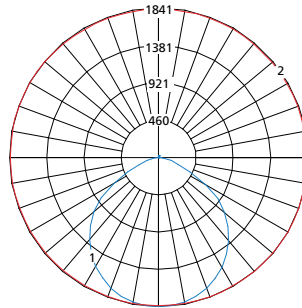
Model: CSEAI-14-y-45L-40K8-DIM1-zzz



Maximum Candela = 2132 Located At Horizontal Angle = 75, Vertical Angle = 2.5

- 1 - Vertical Plane Through Horizontal Angles (75-255) (Through Max. Cd.)
- 2 - Horizontal Cone Through Vertical Angle (2.5) (Through Max. Cd.)

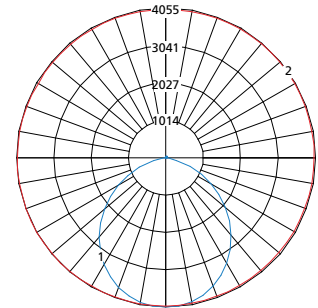
Model: CSEAI-22-y-45L-40K8-DIM1-zzz



Maximum Candela = 1841 Located At Horizontal Angle = 90, Vertical Angle = 2.5

- 1 - Vertical Plane Through Horizontal Angles (90-270) (Through Max. Cd.)
- 2 - Horizontal Cone Through Vertical Angle (2.5) (Through Max. Cd.)

Model: CSEAI-24-y-90L-40K8-DIM1-zzz



Maximum Candela = 4055 Located At Horizontal Angle = 75, Vertical Angle = 2.5

- 1 - Vertical Plane Through Horizontal Angles (75-255) (Through Max. Cd.)
- 2 - Horizontal Cone Through Vertical Angle (2.5) (Through Max. Cd.)



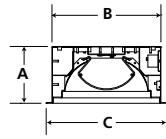
SIMPLESEAL™ ARCHITECTURAL

CSEAI SERIES

DIMENSIONAL DATA

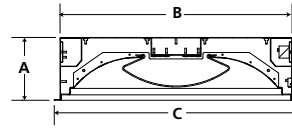
GRID DIMENSIONAL DATA (IN INCHES)

	A	B	C	D	E
1×4	5.56	10.60	11.75	46.60	47.75
2×2	6.10	22.60	23.75	22.60	23.75
2×4	6.10	22.60	23.75	46.60	47.75



CSEAI-14

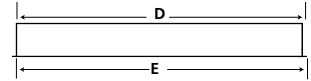
CROSS SECTION



CSEAI-22/24

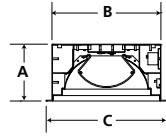
GRID MOUNT

SIDE VIEW



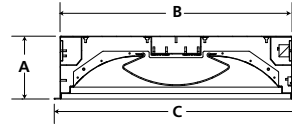
FLANGE DIMENSIONAL DATA (IN INCHES)

	A	B	C	D	E	F	G
1×4	5.56	10.60	11.75	46.60	47.75	30.00	5.25
Recommended Ceiling Cutout: 10.88" × 46.88"							
2×2	6.10	22.60	23.75	22.60	23.75	12.00	12.00
Recommended Ceiling Cutout: 22.88" × 22.88"							
2×4	6.10	22.60	23.75	46.60	47.75	30.00	12.00
Recommended Ceiling Cutout: 22.88" × 46.88"							



CSEAI-14

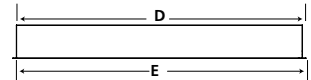
CROSS SECTION



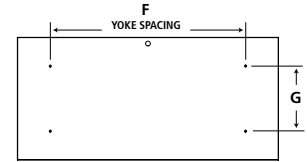
CSEAI-22/24

FLANGE MOUNT

SIDE VIEW

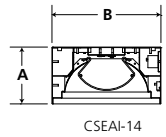


TOP VIEW



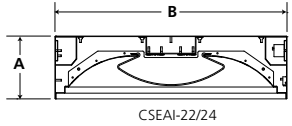
SURFACE DIMENSIONAL DATA (IN INCHES)

	A	B	C	D	E
1×4	5.56	10.60	30.00	5.25	46.60
2×2	6.13	22.60	12.00	12.00	22.60
2×4	6.13	22.60	30.00	12.00	46.60



CSEAI-14

CROSS SECTION



CSEAI-22/24

SURFACE MOUNT

TOP VIEW

