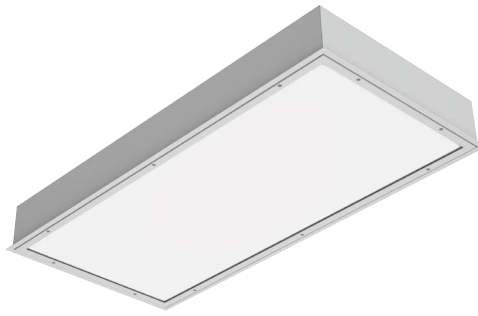


SIMPLESEAL™ ARCHITECTURAL

CSEA SERIES

PRODUCT FEATURES:

- » Grid, flange or surface mount – 2'x4' (60.96cmx121.92cm)
- » Decorative indirect basket provides ambient lighting
- » One-piece seam welded housing
- » Extruded aluminum inset doorframe



PROJECT INFORMATION

Job Name _____

Fixture Type _____

Catalog Number _____

Approved by _____

SPECIFICATIONS

HOUSING: FLANGE & GRID – 20-gauge CRS. SURFACE – 18-gauge CRS. One-piece seam welded construction.

HOUSING FLANGES: FLANGE & GRID – 18-gauge CRS.

HOUSING FINISH: White TGIC polyester powder coat – 5-stage pre-treatment. Salt spray test 1,000 hours. Reflectance 92%. (See options for Antimicrobial Finish).

DOORFRAME: Heavy duty extruded marine grade aluminum with clear satin anodized finish. Doorframe supported to housing with aircraft cables. Phillips head stainless steel fasteners and captive extruded closed cell gasket seals doorframe to housing.

LENS: .125" (.32cm) clear high impact acrylic. Sealed to extruded aluminum frame with a vinyl gasket.

LAMP SHIELDING: Outer compartment shielded by frosted linear prismatic high impact acrylic. Inner compartment shielded by 100% internal fluted high impact acrylic.

ELECTRICAL: Fluorescent electronic 120/277V ballasts, high power factor <10% THD. Two ballast fixture - outer compartments controlled by first ballast, inner compartment controlled by second ballast. See Ordering Information for optional equipment. Lamps by others.

INSTALLATION: SURFACE MOUNT – Four .312" (.79cm) diameter holes. GRID MOUNT – Designed for 1" (2.54cm) and 1.5" (3.81cm) grid. (Housing includes hanging brackets – to secure housing with wire to super structure). FLANGE MOUNT – Mounting yoke brackets – Yoke mounting hardware included. See Accessory for additional mounting options for Flange Mount fixtures. Install Frame and Plaster Frames both positively locates yoke brackets within ceiling opening assures alignment of fixture. Install frame has no need for drywall backing. Backing is supplied on the frame brackets.

WARRANTY: Limited one (1) year Kenall fluorescent warranty.

LISTINGS: UL and CUL Listed for Wet Location and UL certified IP65 per IEC 60598. NSF2 Splash/Non-Food Zone. Meets K230 Leakage Standard for luminaire leakage in pressurized environments and FED-STD-209E/Class 100 (ISO 5) Cleanrooms.



ORDERING INFORMATION (Ex: CSEA4I24-F-1-2-54-RS-120)

Model	Mounting	Lamp Qty	Lamp Type	Ballast Type	Voltage	Options	Accessories
CSEA4I24		/					

Mounting Options

- G** Grid (1" and 1.5") (2.54cm and 3.81cm)
- F** Flange
- S** Surface

Lamp Quantity

Inner Compartment

- 1** One Lamp
- 2** Two Lamps

Outer Compartment

- 2** Two Lamps (1 per Compartment)
- 4** Four Lamps (2 per Compartment)

Lamp Type

- 28†** F28T5
- 54** F54T5HO
- 32** F32T8

Ballast Type

- IS** Instant Start Electronic <10% THD (T8)
- RS** Rapid Start Electronic <10% THD (T8,T5,T5HO)
- SB** Specified Ballast

Voltage

- 120** 120 Volts
- 277** 277 Volts
- 347** 347 Volts

Options

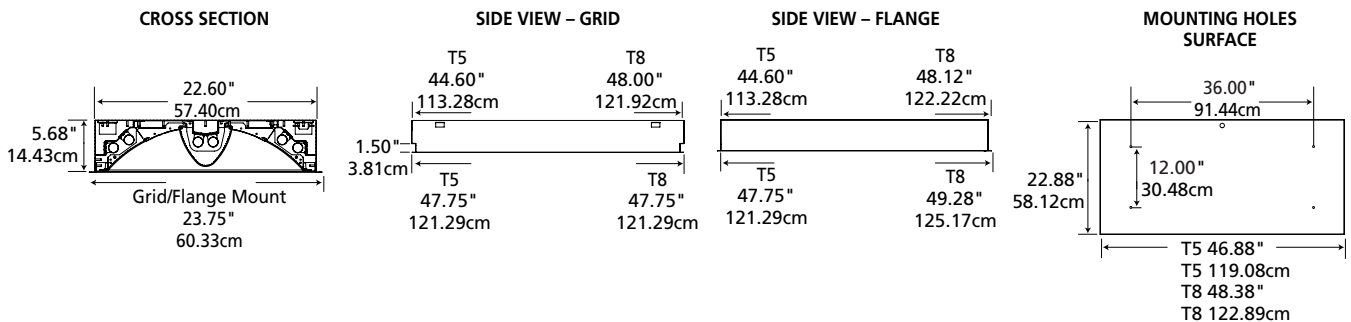
- AMF** Antimicrobial Finish on exposed surfaces
- DLN** LED Night Light w/Light Level Control (100%-20%)
- EL** Standard Lumen One-Lamp EL Pack (347V dry location only)
- FS** Single Fuse & Holder (1 per ballast)
- HD** Continuous piano hinge door (n/a w/ NSF2 listing)
- LRL** LED Reading Lights (2 lamps included)
- MRL†** MR16 Reading Lights (2) (20W watt lamps included)
- RF†** Radio Frequency Filter (1 per ballast)
- TN†** Night Light – 5/7/9 Watt PL (Lamp supplied by other)

Accessories

- IF**** Install Frame (Flange only)
- PF**** Plaster Frame (Flange only)
- RM** Continuous Row Mount (Flange only)
- TH** 1/2" (1.27cm) Trade Size Threaded Hub

† n/a with 347V
 **Add .25" (.64cm) to Ceiling Cutout dimensions

DIMENSIONAL DATA



www.kenall.com | P: 800-4-Kenall | F: 262-891-9701 | 10200 55th Street Kenosha, Wisconsin 53144, USA

A brand of **legrand**

This product complies with the Buy American Act: manufactured in the United States with more than 50% of the component cost of US origin it may be covered by patents found at www.kenall.com/patents. Content of specification sheets is subject to change; please consult www.kenall.com for current product details. ©2019 Kenall Mfg. Co.

CSEA4I24-101618