

SIMPLESEAL™ ARCHITECTURAL

CSEA4I SERIES

PRODUCT FEATURES:

- » Ceiling mount – recessed grid, recessed flange or surface; 2'x2' & 2'x4'
- » Two independently-circuited lamping functions
- » Ingress Barrier Door provides consistent surface for cleanability



PROJECT INFORMATION

Job Name _____

Fixture Type _____

Catalog Number _____

Approved by _____

SPECIFICATIONS

HOUSING: 20-gauge CRS (18-gauge with Surface Mounting). Hole-free, one-piece, seam-welded construction. 18-gauge housing flange with mitered and welded corners (Grid and Flange Mounting). White TGIC polyester powder coat with 5-stage pre-treatment. Salt spray test 1,000 hours. Reflectance 92%. See Ordering Options for Antimicrobial Finish.

DOORFRAME: Heavy duty extruded aluminum with clear satin anodized finish. Doorframe supported to housing with aircraft cables Ordering Information below. Phillips head stainless steel fasteners secure door to housing – eight (8) with (1x4, 2x2), ten (10) with (2x4). Extruded closed cell gasket seals doorframe to housing.

OPTICS: Interior lamping compartment contains a central linear frosted acrylic diffuser paired with dual outer frosted acrylic diffusers. Clear impact-resistant acrylic external lens; sealed to door frame with vinyl gasketing.

ELECTRICAL: Available 3500K, 4000K and 5000K color temperatures, 82 CRI. 120-277VAC and 347V, 50/60Hz electrical input with serviceable high power factor electronic, constant-current driver (<20% THD, >0.95 PF). Standard 0-10V dimming with 1-100% range and dim-to-dark capabilities (non dim-to-dark with 347V); 330µA maximum source current. Inner and Outer lamping compartments can be independently powered and dimmed.

INSTALLATION: SURFACE MOUNT: Four .312" diameter holes. GRID MOUNT: Designed for 1" and 1.5" grid. (Housing includes hanging brackets to secure housing with wire to super structure). FLANGE MOUNT: Yoke mounting hardware & brackets included. Install Frame and Plaster Frames both positively locates yoke brackets within ceiling opening assures alignment of fixture. Install frame has no need for drywall backing. Backing is supplied on the frame brackets.

WARRANTY: Limited five (5) year warranty on LED lamps.

LISTINGS: Luminaire is certified to UL Standards by Intertek Testing Laboratory for Wet Locations and non-IC recessed installations. ETL certified IP65 per IEC 60598. NSF2 Splash Zone. CCEA approved for grid or flange mount.



GRID/FLANGE

ORDERING INFORMATION (Ex: CSEA4I-24-5-45L/90L-35K8-DIM1-277-LEL)

Model	Size	Mounting	Lamp Power	Lamp Color	Driver Type	Voltage	Options	Accessories	
CSEA4I					DIM1				
Size			Lamp Power			Input Voltage			
22	2'x2'		2x2			DV	120-277VAC, 50/60Hz		
4	2'x4'		25L/45L	25 Watt/45 Watt LED		120	120VAC, 50/60Hz		
Mounting Options			2x4			277	277VAC, 50/60Hz		
F	Flange		45L/90L	45 Watt LED/ 90 Watt LED		347	347VAC, 50/60Hz		
S	Surface								
G	Grid (1" and 1.5")		Lamp Color						
			35K8	3500K/82CRI min					
			40K8	4000K/82CRI min					
			50K8	5000K/82CRI min					
			Driver Type						
			DIM1	0-10V Dimming to 1%					
							Options		
							LEL*	8.4W LED Emergency Battery Pack	
							AMF	Antimicrobial Finish on exposed painted surfaces	
							FS	Single Fuse & Holder	
							RF	Radio Frequency Filter	
							RM	Continuous Row Mount (Flange only)	
							TH	1/2" Trade Size Threaded Hub	
								Accessories	
								IF†	Install Frame
								PF†	Plaster Frame

* Voltage-specific selection required; n/a 347V; 0°C/32°F min. ambient

† Add 0.250" to ceiling cutout dimensions. Flange mounting only.



www.kenall.com | P: 800-4-Kenall | F: 262-891-9701 | 10200 55th Street Kenosha, Wisconsin 53144, USA

A brand of Legrand

This product complies with the Buy American Act: manufactured in the United States with more than 50% of the component cost of US origin. It may be covered by patents found at www.kenall.com/patents. Content of specification sheets is subject to change; please consult www.kenall.com for current product details. ©2019 Kenall Mfg. Co.

CSEA4I-22_24-022820

SIMPLESEAL™ ARCHITECTURAL

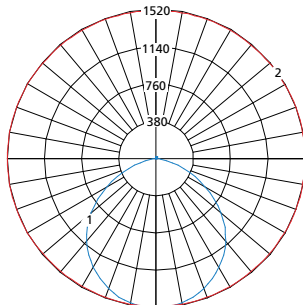
CSEA4I SERIES

PERFORMANCE

Model	Function	Lamp Type	Initial Delivered Lumens		Input Power (W)	Drive Current (mA)	Estd. L ₇₀ LED Life (Hrs)
			@ 25°C	Efficacy (lm/W)			
CSEA4I-22	Inner	25L-35K8	1705	66	26	117	80,000
		25L-40K8	1818	70	26	117	80,000
		25L-50K8	1891	73	26	117	80,000
	Outer	45L-35K8	3027	62	49	100	80,000
		45L-40K8	3227	66	49	100	80,000
		45L-50K8	3356	68	49	100	80,000
	All	25L/45L-35K8	4763	64	75	117/100	80,000
		25L/45L-40K8	5078	68	75	117/100	80,000
		25L/45L-50K8	5281	70	75	117/100	80,000
CSEA4I-24	Inner	45L-35K8	3854	79	49	100	80,000
		45L-40K8	4109	84	49	100	80,000
		45L-50K8	4274	87	49	100	80,000
	Outer	90L-35K8	6931	69	100	100	80,000
		90L-40K8	7389	74	100	100	80,000
		90L-50K8	7684	77	100	100	80,000
	All	45L/90L-35K8	10728	72	148	100/100	80,000
		45L/90L-40K8	11437	77	148	100/100	80,000
		45L/90L-50K8	11894	80	148	100/100	80,000

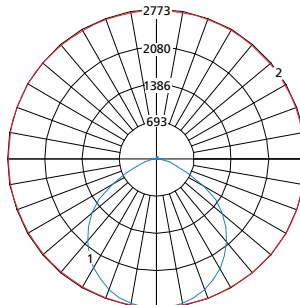
Information subject to change without notice. Visit www.kenall.com for IES files and additional information

Model: CSEA4I-24-y-45L/90L-40K8-DIM1-zzz Inner



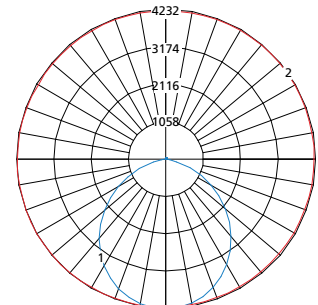
Maximum Candela = 1520 Located At Horizontal Angle = 195, Vertical Angle = 5
 1 - Vertical Plane Through Horizontal Angles (195-375) (Through Max. Cd.)
 2 - Horizontal Cone Through Vertical Angle (5) (Through Max. Cd.)

Model: CCSEA4I-24-y-45L/90L-40K8-DIM1-zzz Outer



Maximum Candela = 2773 Located At Horizontal Angle = 165, Vertical Angle = 5
 1 - Vertical Plane Through Horizontal Angles (165-345) (Through Max. Cd.)
 2 - Horizontal Cone Through Vertical Angle (5) (Through Max. Cd.)

Model: CSEA4I-24-y-45L/90L-40K8-DIM1-zzz All



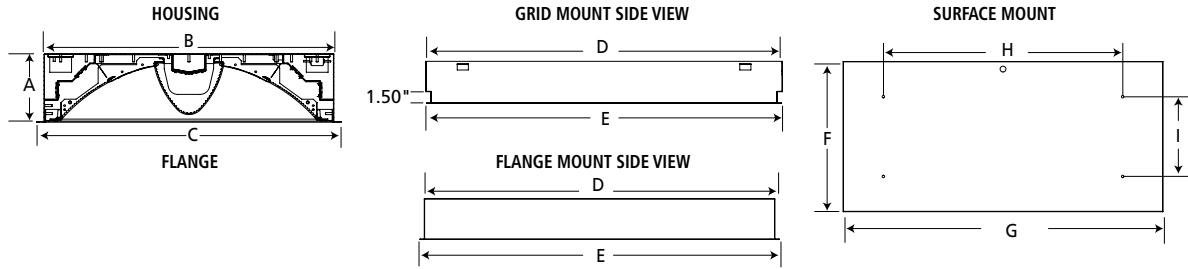
Maximum Candela = 4232 Located At Horizontal Angle = 0, Vertical Angle = 0
 1 - Vertical Plane Through Horizontal Angles (0-180) (Through Max. Cd.)
 2 - Horizontal Cone Through Vertical Angle (0) (Through Max. Cd.)



SIMPLESEAL™ ARCHITECTURAL

CSEA4I SERIES

DIMENSIONAL DATA



DIMENSIONAL DATA (IN INCHES)

	A	B	C	D	E	F	G	H	I
2x2 (Flange)	5.93	22.60	23.75	24.13	25.28	-	-	-	-
2x2 (Grid)	5.93	22.60	23.75	24.00	23.75	-	-	-	-
2x2 (Surface)	5.93	-	-	-	-	22.60	24.13	8.00	12.00
2x4 (Flange)	5.93	22.60	23.75	48.13	49.28	-	-	-	-
2x4 (Grid)	5.93	22.60	23.75	48.00	47.75	-	-	-	-
2x4 (Surface)	5.93	-	-	-	-	22.60	48.13	30.00	12.00

FLANGE CEILING CUTOUT**

2x2	22.88 × 24.38
2x4	22.88 × 48.38

**Add .25" to each cut-out dimension when Install Frame (IF) or Plaster Frame (PF) Accessory is specified

