

SIMPLESEAL™ ARCHITECTURAL

CSEA3I SERIES



PROJECT INFORMATION

Job Name _____

Fixture Type _____

Catalog Number _____

Approved by _____

PRODUCT FEATURES:

- » Ceiling mount – surface, grid, or flange; 2'x2' & 2'x4'
- » Indirect ambient lighting
- » Ingress Barrier Door provides consistent surface for cleanability

SPECIFICATIONS

HOUSING: 20-gauge CRS (18-gauge with Surface Mounting). Hole-free, one-piece, seam-welded construction. 18-gauge housing flange with mitered and welded corners (Grid and Flange Mounting). White TGIC polyester powder coat with 5-stage pre-treatment. Salt spray test 1,000 hours. Reflectance 92%. See Ordering Options for Antimicrobial Finish.

DOORFRAME: Heavy duty extruded aluminum with clear satin anodized finish. Doorframe supported to housing with aircraft cables. Phillips head stainless steel fasteners secure door to housing – eight (8) with (2x2), ten (10) with (2x4). Extruded closed cell gasket seals doorframe to housing.

OPTICS: Interior perforated white aluminum basket with frost-acrylic diffuser. Clear impact-resistant acrylic external lens is sealed to doorframe with vinyl gasketing.

ELECTRICAL: Available 3000K, 3500K, 4000K and 5000K color temperatures, 82 CRI. 120-277VAC and 347V, 50/60Hz electrical input with serviceable high power factor electronic, constant-current driver (<20% THD, >0.95 PF). Standard 0-10V dimming with 1-100% range and dim-to-dark capabilities (non dim-to-dark with 347V); 330µA maximum source current.

SENSOR & CONTROLS: Optional sensor available with compatible third party controls. To see the full list of compatible controls, [click here](#).

INSTALLATION: **SURFACE MOUNT:** Four .312" diameter holes. **GRID MOUNT:** Designed for 1" and 1.5" grid. (Housing includes hanging brackets to secure housing with wire to super structure). **FLANGE MOUNT:** Yoke mounting hardware & brackets included. Install Frame and Plaster Frames both positively locates yoke brackets within ceiling opening assures alignment of fixture. Install frame has no need for drywall backing; backing is supplied on the frame brackets.

WARRANTY: Limited five (5) year LED warranty.

LISTINGS: Luminaire is certified to UL Standards by Intertek Testing Laboratory for Wet Locations and non-IC recessed installations. ETL certified IP65 per IEC 60598. NSF2 Splash/Non-Food Zone.



ORDERING INFORMATION (Ex: CSEA3I-24-G-67L-35K8-DIM1-277-LEL)

Model	Size	Mounting	Lamp Power	Lamp Color	Driver Type	Voltage	Options	Accessories
CSEA3I					DIM1			
Size			Lamp Power			Input Voltage		
22	2'x2'		2x2			DV	120-277VAC, 50/60Hz	
24	2'x4'		45L	45 Watt LED		120	120VAC, 50/60Hz	
						277	277VAC, 50/60Hz	
						347	347VAC, 50/60Hz	
Mounting Options			2x4			Options		
F	Flange		45L	45 Watt LED		LEL*	8.4W LED Emergency Battery Pack	
S	Surface		67L	67 Watt LED		AMF	Antimicrobial Finish on exposed painted surfaces	
G	Grid (1" and 1.5")		90L	90 Watt LED		FS	Single Fuse & Holder	
			Lamp Color			RF	Radio Frequency Filter	
			30K8	3000K/82CRI min		RM	Continuous Row Mount (Flange only)	
			35K8	3500K/82CRI min		TH	1/2" Trade Size Threaded Hub	
			40K8	4000K/82CRI min		Accessories		
			50K8	5000K/82CRI min		IF†	Install Frame	
			Driver Type			PF†	Plaster Frame	
			DIM1	0-10V Dimming to 1%				

* Voltage-specific selection required; n/a 347V; 0°C/32°F min. ambient
 † Add 0.250" to ceiling cutout dimensions. Flange mounting only.



www.kenall.com | P: 800-4-Kenall | F: 262-891-9701 | 10200 55th Street Kenosha, Wisconsin 53144, USA

A brand of legrand

This product complies with the Buy American Act: manufactured in the United States with more than 50% of the component cost of US origin. It may be covered by patents found at www.kenall.com/patents. Content of specification sheets is subject to change; please consult www.kenall.com for current product details. ©2022 Kenall Mfg. Co.

CSEA3I-22_24-012722

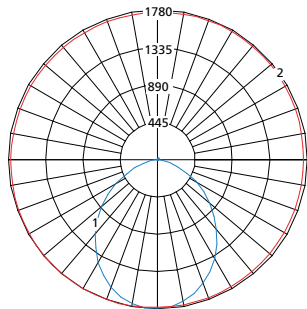
SIMPLESEAL™ ARCHITECTURAL

CSEA31 SERIES

PERFORMANCE		Initial Delivered Lumens		Input Power (W)	Drive Current (mA)	Estd. L70 LED Life (Hrs)
Model	Lamp Type	@ 25°C	Efficacy (lm/W)			
CSEA31-22	45L-30K8	3,816	78	49	100	80,000
	45L-35K8	3,934	80			
	45L-40K8	4,068	83			
	45L-50K8	4,231	86			
CSEA31-24	45L-30K8	4,162	85	49	100	80,000
	45L-35K8	4,291	88			
	45L-40K8	4,437	91			
	45L-50K8	4,614	94			
	67L-30K8	6,543	91	72	75	80,000
	67L-35K8	6,746	94			
	67L-40K8	6,976	97			
	67L-50K8	7,255	101			
	90L-30K8	8,323	86	97	100	80,000
	90L-35K8	8,580	88			
90L-40K8	8,873	91				
90L-50K8	9,228	95				

Information subject to change without notice. Visit www.kenall.com for IES files and additional information

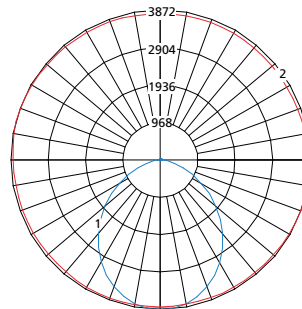
Model: CSEA31-22-y-45L-40K8-DIM1-zzz



Maximum Candela = 1780 Located At Horizontal Angle = 240, Vertical Angle = 5

- 1 - Vertical Plane Through Horizontal Angles (240-60) (Through Max. Cd.)
- 2 - Horizontal Cone Through Vertical Angle (5) (Through Max. Cd.)

Model: CSEA31-24-y-90L-40K8-DIM1-zzz

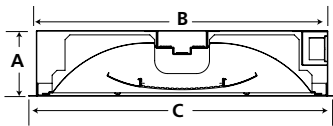


Maximum Candela = 3872 Located At Horizontal Angle = 165, Vertical Angle = 5

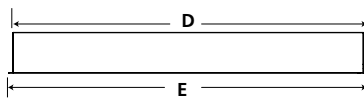
- 1 - Vertical Plane Through Horizontal Angles (165-345) (Through Max. Cd.)
- 2 - Horizontal Cone Through Vertical Angle (5) (Through Max. Cd.)

DIMENSIONAL DATA

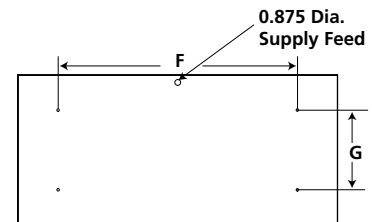
CROSS-SECTION



SIDE VIEW



TOP VIEW
(FLANGE YOKE / SURFACE MOUNTING HOLE SPACING)



Model	Mounting	A	B	C	D	E	F	G
2x2	Surface	6.13	22.60	-	22.60	-	12.00	12.00
	Grid	6.10	22.60	23.75	22.60	23.75	-	-
	Flange	6.10	22.60	23.75	22.60	23.75	12.00	12.00
	Ceiling Cutout*: 22.88" × 22.88"							
2x4	Surface	6.13	22.60	-	46.60	-	36.00	12.00
	Grid	6.10	22.60	23.75	46.60	47.75	-	-
	Flange	6.10	22.60	23.75	46.60	47.75	36.00	12.00
	Ceiling Cutout*: 22.88" × 48.88"							

*Add 0.250" to cutout dimensions when Install Frame (IF) or Plaster Frame (PF) are specified



www.kenall.com | P: 800-4-Kenall | F: 262-891-9701 | 10200 55th Street Kenosha, Wisconsin 53144, USA

A brand of Legrand

This product complies with the Buy American Act: manufactured in the United States with more than 50% of the component cost of US origin. It may be covered by patents found at www.kenall.com/patents. Content of specification sheets is subject to change; please consult www.kenall.com for current product details. ©2022 Kenall Mfg. Co.