

SIMPLESEAL® CLEANSLOT™

Luminaires for Cleanrooms

CRS4 SERIES

PRODUCT FEATURES:

- » 4" recessed linear slot luminaire in multiple lengths
- » Designed for use in ISO 3-9 rated cleanrooms where ceiling space is limited
- » Symmetric and 15° asymmetric optical distribution options
- » No visible room-side fasteners for clean aesthetic
- » High-output, high-CRI LED lamp sources



PROJECT INFORMATION

Job Name _____

Fixture Type _____

Catalog Number _____

Approved by _____

SPECIFICATIONS

HOUSING: Extruded 6063-T5 aluminum construction with gasketed aluminum endcaps. Low-gloss anti-microbial white TGIC polyester powder-coat finish with five-stage pre-treatment.

OPTIC: Symmetric (Lambertian) or 15° asymmetric distribution option. Snap-in, one-piece extruded frost DR acrylic diffuser.

LED MODULE: Serviceable mid-power LED array. Minimum 82 CRI standard (R9>20). See Ordering Information for available color temperature options.

DRIVER: 120-277VAC or 347VAC, 50/60Hz electrical input with serviceable constant-current driver (<20% THD, >0.90 PF). Minimum 85% driver efficiency. Standard 0-10V dimming with 1-100% range and dim-to-dark capabilities (non dim-to-dark with 347V); maximum 330 μA maximum source current. Optional eldoLED ECODrive DALI drivers with 1-100% range.

INSTALLATION: Suitable for Type-IC recessed ceiling installation into 9/16" and 15/16" lay-in grid and flanged drywall (5/8" max). See Ordering Information for selection. Suitable for 0°C - 40°C ambient temperature environments.

PHOTOMETRICS: Photometry tested to the IESNA LM-79-08 standard by an ILAC/ISO17025 accredited laboratory. For detailed photometric information, please visit www.kenall.com.

WARRANTY: Limited five (5) year warranty.

LISTINGS: Luminaire is certified to UL standards by Intertek Testing Laboratories for Type-IC and Wet Location installations. IP65 rating per IEC60598. Suitable for biosafety labs rated BSL 1 and 2. Meets FED-STD-209E/Class 1 (ISO 3) Cleanrooms. NSF2 Splash/Non-Food Zone rated. Standard CCEA compliance.



ORDERING INFORMATION (Ex: CRS4-48-G-SYM-1200LF-35K9-DIM1-DV-LEL)

Model	Length	Ceiling Configuration	Optical Distribution	Lumen Output	Lamp Color	Driver Type	Voltage	Options
CRS4								
	Nominal Length			Lumen Output		Driver Type		
	24 2'			500LF 500 lumens/ft		DIM1 0-10V Dimming to 1%		
	36 3'			750LF 750 lumens/ft		DALI* DALI Dimming to 1% (n/a with 6' length, and 1200LF in 8' length)		
	48 4'			1200LF 1200 lumens/ft		Input Voltage		
	72 6'					DV 120-277VAC, 50/60Hz		
	96 8'			Lamp Color		347 347VAC, 60Hz (n/a with 2' and 3' lengths)		
	Ceiling Configuration			30K8 3000K / 80 CRI min.		Options		
	G 9/16" and 15/16" Lay-In Grid			30K9 3000K / 90 CRI min.		LEL* 10W Integral Emergency Battery Backup with Remote Test Button		
	FL Flange			35K8 3500K / 80 CRI min.		FS Fuse & Holder		
	Optical Distribution			35K9 3500K / 90 CRI min.				
	SYM Symmetric			40K8 4000K / 80 CRI min.				
	ASYM Asymmetric			40K9 4000K / 90 CRI min.				

* n/a with 347V



www.kenall.com | P: 800-4-Kenall | F: 262-891-9701 | 10200 55th Street Kenosha, Wisconsin 53144, USA

A brand of **legrand**

This product complies with the Buy American Act: manufactured in the United States with more than 50% of the component cost of US origin. It may be covered by patents found at www.kenall.com/patents. Content of specification sheets is subject to change; please consult www.kenall.com for current product details. ©2022 Kenall Mfg. Co.

Luminaires for Cleanrooms

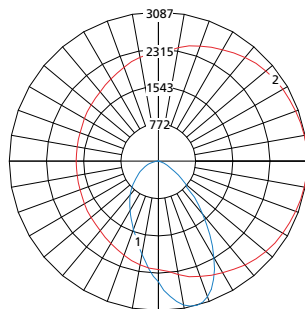
CRS4 SERIES

PERFORMANCE

Distribution Type	Nominal Lumen Output	Initial Delivered Lumens per Foot, by Lamp Color (lm/ft)						Efficacy (lm/W)	Unit Input Power (W/ft)	Estd. L70 LED Life (Hrs)
		30K8	30K9	35K8	35K9	40K8	40K9			
ASYM	500LF	517	424	529	434	523	445	88 - 110	5	85,000
	750LF	757	621	774	636	766	652	87 - 108	7	85,000
	1200LF	1,188	975	1,215	998	1,202	1,023	79 - 99	12	85,000
SYM	500LF	473	409	488	419	504	429	104 - 128	4	85,000
	750LF	707	611	729	626	754	641	104 - 128	6	85,000
	1200LF	1,137	983	1,172	1,007	1,212	1,032	98 - 121	10	85,000

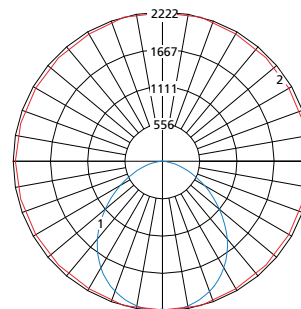
Nominal Lumen Output values based on 40K8 lamp color. Information subject to change without notice. Visit www.kenall.com for IES files and additional information.

Model: CRS4-48-yy-ASYM-1200LF-40K8-DIM1-zzz



Maximum Candela = 3087 Located At Horizontal Angle = 0, Vertical Angle = 15
 1 - Vertical Plane Through Horizontal Angles (0-180) (Through Max. Cd.)
 2 - Horizontal Cone Through Vertical Angle (15) (Through Max. Cd.)

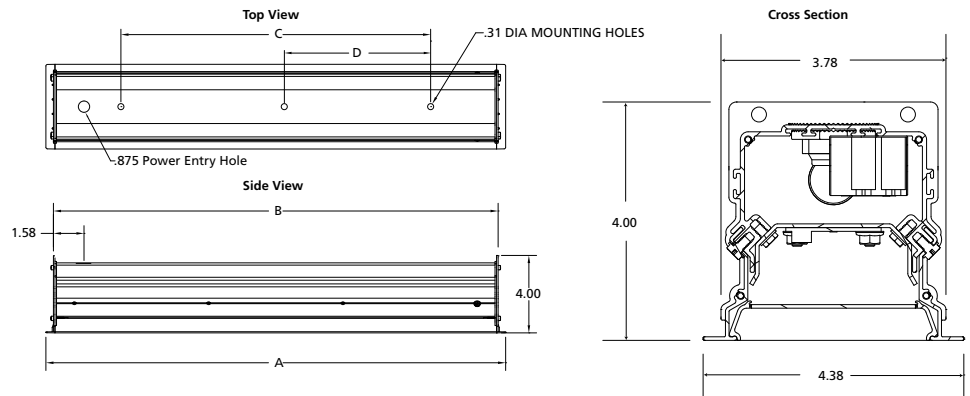
Model: CRS4-48-yy-SYM-1200LF-40K8-DIM1-zzz



Maximum Candela = 2222 Located At Horizontal Angle = 75, Vertical Angle = 2.5
 1 - Vertical Plane Through Horizontal Angles (75-255) (Through Max. Cd.)
 2 - Horizontal Cone Through Vertical Angle (2.5) (Through Max. Cd.)

DIMENSIONAL DATA

FLANGE



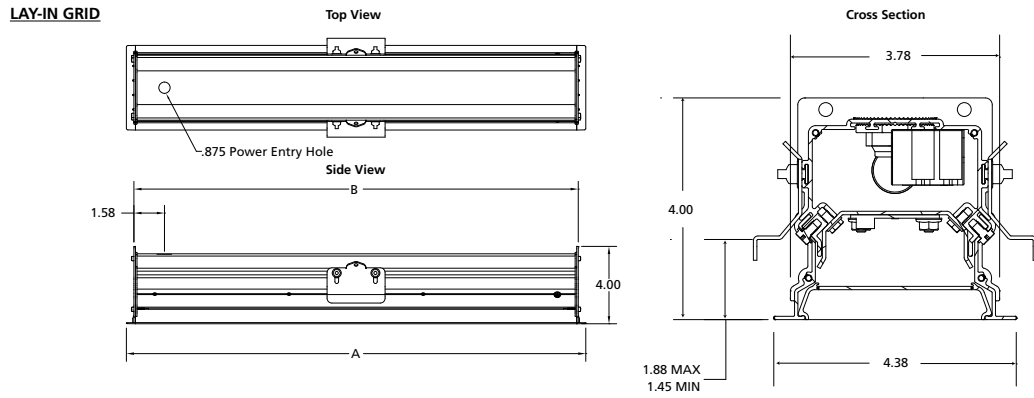
Nominal Length	Ceiling Configuration	A	B	C	D	Ceiling Cut-Out
24	FLANGE	23.75"	22.97"	16.00"	----	3.875" × 23.25"
36	FLANGE	35.75"	34.97"	28.00"	----	3.875" × 35.25"
48	FLANGE	47.75"	46.97"	40.00"	----	3.875" × 47.25"
72	FLANGE	71.75"	70.97"	64.00"	32.00"	3.875" × 71.25"
96	FLANGE	95.75"	94.97"	88.00"	44.00"	3.875" × 95.25"



SIMPLESEAL® CLEANSLOT™

Luminaires for Cleanrooms

CRS4 SERIES



Nominal Length	Ceiling Configuration	A	B
24	LAY-IN GRID	23.75"	22.97"
36	LAY-IN GRID	35.75"	34.97"
48	LAY-IN GRID	47.75"	46.97"
72	LAY-IN GRID	71.75"	70.97"
96	LAY-IN GRID	95.75"	94.97"



www.kenall.com | P: 800-4-Kenall | F: 262-891-9701 | 10200 55th Street Kenosha, Wisconsin 53144, USA

A brand of **legrand**

This product complies with the Buy American Act: manufactured in the United States with more than 50% of the component cost of US origin. It may be covered by patents found at www.kenall.com/patents. Content of specification sheets is subject to change; please consult www.kenall.com for current product details. ©2022 Kenall Mfg. Co.