

SIMPLESEAL® CLEANSLOT™

Luminaires for Cleanrooms

CRS4 SERIES – Tunable White LED

PRODUCT FEATURES:

- » 4" recessed linear slot luminaire in multiple lengths
- » Designed for use in ISO 3-9 rated cleanrooms where ceiling space is limited
- » High-output, high-CRI LED lamp source with 2700K-6500K white tuning capability
- » Symmetric optical distribution type
- » No visible room-side fasteners for clean aesthetic



PROJECT INFORMATION

Job Name _____

Fixture Type _____

Catalog Number _____

Approved by _____

SPECIFICATIONS

HOUSING: Extruded 6063-T5 aluminum construction with gasketed aluminum endcaps. Low-gloss anti-microbial white TGIC polyester powder-coat finish with five-stage pre-treatment.

OPTIC: Symmetric (Lambertian) distribution option. Snap-in, one-piece extruded frosted DR acrylic diffuser.

LED MODULE: Serviceable tunable-white, mid-power LED array provides 2700K through 6500K CCT range with a two-point path. Minimum 82 CRI standard (R9 >20) with optional minimum 90 CRI (R9 >50).

DRIVER: 120-277VAC, 50/60Hz electrical input (PF ≥ 0.9, THD < 20%). Minimum 85% electrical efficiency. Serviceable, constant-current multi-channel programmable driver with dual analog (0-10V) control inputs for intensity and CCT. Optional DALI (Type 8) driver. Logarithmic intensity profile with 0.1-100% range, with dim-to-dark capabilities. Linear profile on CCT adjustment. Refer to charts on page 2 for further details.

INSTALLATION: Suitable for Insulation Contact (IC) recessed ceiling installation into 9/16" and 15/16" grid and flanged drywall ceilings (5/8" max.). See Ordering Information for selection. Suitable for 0°C - 40°C ambient temperature environments.

PHOTOMETRICS: Photometry tested to the IESNA LM-79-08 standard by an ILAC/ISO17025 accredited laboratory. For detailed photometric information, please visit www.kenall.com.

WARRANTY: Limited five (5) year warranty.

LISTINGS: Luminaire is certified to UL standards by Intertek Testing Laboratories for Type-IC and Wet Location installations. IP65 rating per IEC60598. Suitable for biosafety labs rated BSL 1 and 2. Meets FED-STD-209E/Class 1 (ISO 3) Cleanrooms. NSF2 Splash/Non-Food Zone rated. Standard CCEA compliance.



ORDERING INFORMATION (Ex: CRS4-48-G-SYM-1200LFT-27/65K9-ATW-DV)

Model	Length	Ceiling Configuration	Optical Distribution	Lumen Output	Lamp Color	Driver Type	Voltage	Options
CRS4							DV	
Nominal Length		Optical Distribution		Driver Type				
24*	2'	SYM Symmetric		ATW Analog (0-10V) Dimming Tunable White Driver				
48	4'			DTW DALI Tunable White Driver				
96	8'			DMX DMX Tunable White Driver (Consult Factory)				
Ceiling Configuration		Lumen Output		Input Voltage				
G	9/16" and 15/16" Lay-In Grid	500LFT 500 lumens/ft		DV 120-277VAC, 50/60Hz				
FL	Flange	750LFT 750 lumens/ft		Options				
		1200LFT 1200 lumens/ft		LEL 10W Integral Emergency Battery Backup with Remote Test Button				
		Lamp Color		LFS Fuse & Holder				
		27/65K8 2700K-6500K CCT Range (82 CRI min.)						
		27/65K9 2700K-6500K CCT Range (92 CRI min.)						

* 24" model available only with 1200LFT Lumen Output



www.kenall.com | P: 800-4-Kenall | F: 262-891-9701 | 10200 55th Street Kenosha, Wisconsin 53144, USA

A brand of **legrand**

This product complies with the Buy American Act: manufactured in the United States with more than 50% of the component cost of US origin. It may be covered by patents found at www.kenall.com/patents. Content of specification sheets is subject to change; please consult www.kenall.com for current product details. ©2022 Kenall Mfg. Co.

SIMPLESEAL® CLEANSLOT™

Luminaires for Cleanrooms

CRS4 SERIES – Tunable White LED

PERFORMANCE

Delivered Lumens at 4000K Tuning, by Lamp Color (lm/ft)

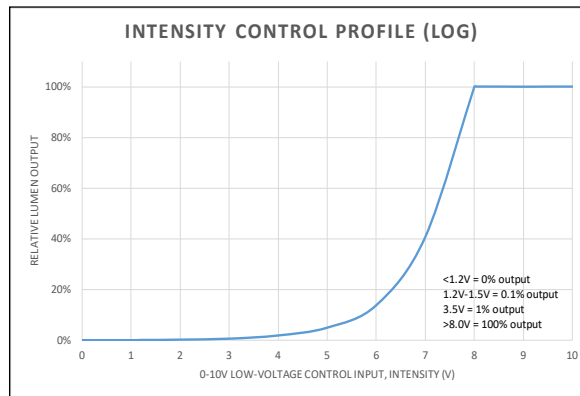
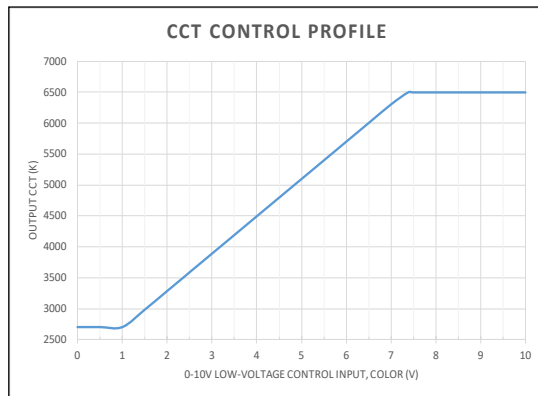
Distribution Type	Nominal Lumen Output	27/65K8	27/65K9	Efficacy (lm/W)	Unit Input Power (W/ft)	Estd. L70 LED Life (Hrs)
SYM	500LFT	518	417	98 - 122	4	85,000
	750LFT	779	628	98 - 122	6	85,000
	1200LFT	1,248	1,006	92 - 114	11	85,000

Nominal Lumen Output values based on 27/65K8 lamp color. Information subject to change without notice. Visit www.kenall.com for IES files and additional information.

PERFORMANCE SCALING, BY LAMP COLOR

CCT (K)	27/65K8					27/65K9				
	LUMEN SCALE FACTOR	Ra	R9	Rf	Rg	LUMEN SCALE FACTOR	Ra	R9	Rf	Rg
2700	0.92	83	10	83	97	0.95	92	57	89	98
3000	0.95	84	15	83	98	0.97	94	70	91	99
3500	0.99	86	23	84	98	0.99	95	77	92	99
4000	1.00	86	26	84	98	1.00	96	83	92	99
4600	1.00	86	28	84	98	1.00	96	90	92	100
5000	1.01	86	25	83	98	1.01	96	96	91	101
5700	0.99	85	23	82	98	0.99	96	96	91	100
6500	0.99	84	16	82	96	0.99	96	96	90	100

CCT AND INTENSITY ADJUSTMENT PROFILE - ATW DRIVER TYPE



NOTE: The provided information is the typical expected performance of a single luminaire. Additional luminaires on the same 0-10V line may result in different control profiles. Fine tuning of system performance should be completed after installation is complete. To avoid CCT shift between luminaires, care should be taken to minimize voltage drop on the CCT Control line. It is recommended to limit the load on the CCT control circuit to twenty (20) luminaires or less.



www.kenall.com | P: 800-4-Kenall | F: 262-891-9701 | 10200 55th Street Kenosha, Wisconsin 53144, USA

This product complies with the Buy American Act: manufactured in the United States with more than 50% of the component cost of US origin. It may be covered by patents found at www.kenall.com/patents. Content of specification sheets is subject to change; please consult www.kenall.com for current product details. ©2022 Kenall Mfg. Co.

A brand of Legrand

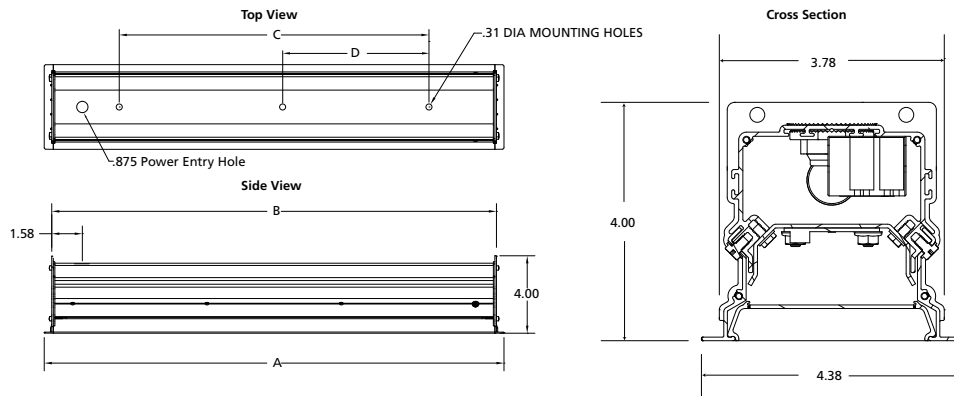
SIMPLESEAL® CLEANSLOT™

Luminaires for Cleanrooms

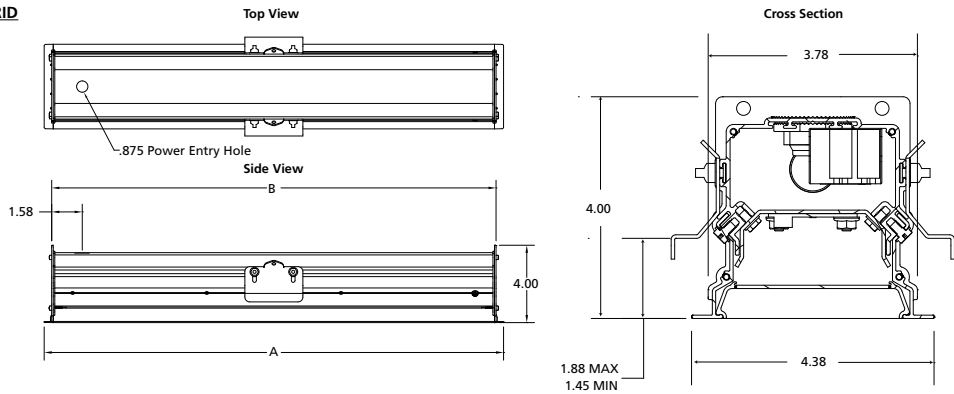
CRS4 SERIES – Tunable White LED

DIMENSIONAL DATA

FLANGE



LAY-IN GRID



Nominal Length	Ceiling Configuration	A	B	C	D	Ceiling Cut-Out
24	FLANGE	23.75"	22.97"	16.00"	----	3.875" × 23.25"
48	FLANGE	47.75"	46.97"	40.00"	----	3.875" × 47.25"
96	FLANGE	95.75"	94.97"	88.00"	44.00"	3.875" × 95.25"

Nominal Length	Ceiling Configuration	A	B
24	LAY-IN GRID	23.75"	22.97"
48	LAY-IN GRID	47.75"	46.97"
96	LAY-IN GRID	95.75"	94.97"



www.kenall.com | P: 800-4-Kenall | F: 262-891-9701 | 10200 55th Street Kenosha, Wisconsin 53144, USA

This product complies with the Buy American Act: manufactured in the United States with more than 50% of the component cost of US origin. It may be covered by patents found at www.kenall.com/patents. Content of specification sheets is subject to change; please consult www.kenall.com for current product details. ©2022 Kenall Mfg. Co.

A brand of Legrand