

SIMPLESEAL DOWNLIGHT

Luminaires for Cleanroom Applications

CDL SERIES

PRODUCT FEATURES:

- » 6" sealed, recessed downlight with flush lens trim
- » Delivered lumens: 794 - 5,305 lm
- » 1% Dimming via 0-10V, DALI or EcoSystem control



PROJECT INFORMATION

Job Name _____
 Fixture Type _____
 Catalog Number _____
 Approved by _____

SPECIFICATIONS

HEAT SINK: Die-cast aluminum with external radial fins for natural convection.

ROUGH-IN FRAME: 18-gauge die-formed, corrosion-resistant steel. Vertically adjustable collar accommodates ceiling thicknesses up to 2", adjustable post-installation. Universal mounting brackets accept 3/4" and 1-1/2" lathers channel, 1/2" EMT conduit and hanger bars. Quick-access junction box accessible post-installation from above and below ceiling. Includes (4) 1/2" and (2) 3/4" knock-outs to allow straight conduit runs. Listed for (8) 12AWG, 90°C conductors and feed-thru branch wiring. Provided with FMC with electrical quick-connect to Trim Section.

TRIM/HOUSING SECTION: IP-rated housing section incorporates the heat sink, LED module, optics and lower trim. Configurable with an IP64-rated Flush lens trim that is secured to the Rough-In frame with hidden torsion springs, and an IP65 Flush lens trim secured with four (4) Phillips-head, captive fasteners. See trim ordering information for available options.

OPTICAL: High-Efficiency mixing chamber design with regressed diffused tempered-glass lens producing uniform light output. Available with various reflector distribution patterns and finishes. Flush lens trim options include a clear lens. See distribution and reflector finish ordering information for available options.

ELECTRICAL: LED array available in multiple CCT and CRI combinations with a maximum 3-step MacAdam variation allowance. See Trim Ordering Information for available options. 120-277VAC or 347VAC, 50/60Hz electrical input with serviceable constant current driver (<20% THD, >0.90 PF). Minimum 85% driver efficiency. Standard 0-10V dimming with 1-100% range; 200µA max. source current. Optional DALI and Lutron EcoSystem dimming drivers with 1-100% range.

PHOTOMETRICS: Photometry tested to the IESNA LM-79-08 standard by an ILAC/ISO17025 accredited laboratory. For photometric information, go to www.kenall.com.

WARRANTY: Limited five (5) year LED warranty

LISTINGS: Luminaire is certified to UL standards by Intertek Testing Laboratory for non-IC and Wet Location installations. IP64 and IP65 rating per IEC60598. NSF2 Splash/Non-Food Zone. Optional CCEA compliance. Meets FED-STD-209E/Class 100 (ISO 5) Cleanrooms.



ORDERING INFORMATION (EX: CDL6-FF-2FW-22L-40K8-W-CSS-T-RIG6-DV-DIM1)

TRIM								ROUGH-IN			
Model	Trim Style	Trim Finish	Lamp Power	Lamp Color	Distribution	Reflector Finish	Flush Lens Type	Rough-In	Input Voltage	Driver Type	Options
CDL6								RIG6			
Trim Style				Lamp Color				Rough-In			
FF Flush Lens (With Fasteners - IP65)				30K8 3000K / 80 CRI min.				RIG6 6" Rough-In			
NF Flush Lens (Without Fasteners - IP64)				30K9 3000K / 90 CRI min.				Input Voltage			
Trim Finish				35K8 3500K / 80 CRI min.				DV 120-277V, 50/60Hz			
2FW Cold-Rolled Steel in Flat White				35K9 3500K / 90 CRI min.				347* 347VAC, 60Hz			
5BR Type 304 Stainless Steel with 4B Brushed Finish				40K8 4000K / 80 CRI min.				Driver Type			
5FW Type 304 Stainless Steel in Flat White				40K9 4000K / 90 CRI min.				DIM1 0-10V Dimming to 1%			
Lamp Power				50K8 5000K / 80 CRI min.				DALI DALI Dimming to 1%			
12L 12 Watt LED				Distribution				ECO1 Lutron EcoSystem®			
22L 22 Watt LED				M Medium				Options			
33L 33 Watt LED				W Wide				LEL Emergency Battery Backup with Remote Test Switch			
55L*▲ 55 Watt LED				Reflector Finish				FS Fuse & Holder			
				FW Flat White				CCEA CCEA Approved			
				CS Clear Specular							
				CSS Clear Semi-Specular							
				Flush Lens Type							
				T 1/8" Clear High-Impact Acrylic							
				G 1/8" Clear Polycarbonate							

* N/A with DALI or ECO1 Driver Type. N/A with LEL option
 ▲ Must be installed with a minimum 24" on-center spacing, 12" from wall, and have 3" clearance above the Trim/Housing



www.kenall.com

P: 800-4-Kenall

F: 262-891-9701

10200 55th Street Kenosha, Wisconsin 53144

When you see this image, you will know the Kenall product shown or described is designed and manufactured in the USA with components purchased from US suppliers, and meets the Buy American requirements under the ARRA. Kenall has not determined the origin of its domestically purchased components or the subcomponents thereof. May be covered by patents found at www.kenall.com/patents. Content of specification sheets is subject to change; please consult www.kenall.com for current product details. © 2018 Kenall Mfg. Co. All rights reserved.

CDL6-101618

SIMPLESEAL DOWNLIGHT

Luminaires for Cleanroom Applications

CDL SERIES

PERFORMANCE

Optic			Lamp Power	Initial Delivered Lumens, By Lamp Color							Efficacy (lm/W)	Input Power (W)	Estd. L70 LED Life (hrs)	
Distribution	Reflector Finish	Lens Type		30K8	30K9	35K8	35K9	40K8	40K9	50K8				
M	CS	T	12L	1,024	856	1,024	867	1,065	867	1,088	57 - 73	15	80,000	
			22L	1,677	1,402	1,677	1,419	1,744	1,419	1,782	58 - 74	24	85,000	
			33L	2,430	2,032	2,430	2,056	2,527	2,056	2,581	58 - 74	35	70,000	
			55L	4,334	3,624	4,334	3,668	4,508	3,668	4,605	58 - 74	62	75,000	
		G	12L	1,048	876	1,048	887	1,090	887	1,114	58 - 74	15	80,000	
			22L	1,716	1,435	1,716	1,452	1,785	1,452	1,823	60 - 76	24	85,000	
			33L	2,487	2,079	2,487	2,104	2,586	2,104	2,642	59 - 75	35	70,000	
			55L	4,436	3,709	4,436	3,754	4,613	3,754	4,713	60 - 76	62	75,000	
		CSS	T	12L	961	804	961	814	1,000	814	1,021	54 - 68	15	80,000
				22L	1,574	1,316	1,574	1,332	1,637	1,332	1,672	55 - 70	24	85,000
				33L	2,281	1,907	2,281	1,930	2,372	1,930	2,423	54 - 69	35	70,000
				55L	4,069	3,402	4,069	3,443	4,231	3,443	4,323	55 - 70	62	75,000
	G		12L	984	823	984	833	1,023	833	1,045	55 - 70	15	80,000	
			22L	1,611	1,347	1,611	1,363	1,675	1,363	1,712	56 - 71	24	85,000	
			33L	2,334	1,952	2,334	1,975	2,427	1,975	2,480	56 - 71	35	70,000	
			55L	4,164	3,482	4,164	3,524	4,330	3,524	4,424	56 - 71	62	75,000	
	FW		T	12L	950	794	950	804	988	804	1,009	53 - 67	15	80,000
				22L	1,555	1,300	1,555	1,316	1,617	1,316	1,652	54 - 69	24	85,000
				33L	2,253	1,884	2,253	1,906	2,343	1,906	2,394	54 - 68	35	70,000
				55L	4,019	3,360	4,019	3,401	4,180	3,401	4,270	54 - 69	62	75,000
		G	12L	972	813	972	822	1,011	822	1,033	54 - 69	15	80,000	
			22L	1,591	1,331	1,591	1,347	1,655	1,347	1,691	55 - 70	24	85,000	
			33L	2,305	1,928	2,305	1,951	2,398	1,951	2,450	55 - 70	35	70,000	
			55L	4,113	3,439	4,113	3,481	4,277	3,481	4,370	55 - 70	62	75,000	
W		CS	T	12L	1,153	964	1,153	976	1,199	976	1,225	66 - 84	15	80,000
				22L	1,888	1,578	1,888	1,597	1,963	1,597	2,006	66 - 84	24	85,000
				33L	2,735	2,287	2,735	2,314	2,844	2,314	2,906	65 - 83	35	70,000
				55L	4,879	4,079	4,879	4,129	5,074	4,129	5,184	66 - 84	62	75,000
	G		12L	1,180	986	1,180	998	1,227	998	1,253	67 - 86	15	80,000	
			22L	1,932	1,615	1,932	1,635	2,009	1,635	2,052	67 - 86	24	85,000	
			33L	2,799	2,340	2,799	2,369	2,911	2,369	2,974	67 - 85	35	70,000	
			55L	4,993	4,175	4,993	4,225	5,193	4,225	5,305	67 - 86	62	75,000	
	CSS		T	12L	978	818	978	828	1,017	828	1,039	56 - 71	15	80,000
				22L	1,602	1,339	1,602	1,356	1,666	1,356	1,702	56 - 71	24	85,000
				33L	2,321	1,941	2,321	1,964	2,414	1,964	2,466	55 - 70	35	70,000
				55L	4,141	3,462	4,141	3,504	4,306	3,504	4,399	56 - 71	62	75,000
		G	12L	1,001	837	1,001	847	1,041	847	1,064	57 - 73	15	80,000	
			22L	1,639	1,371	1,639	1,387	1,705	1,387	1,742	57 - 73	24	85,000	
			33L	2,375	1,986	2,375	2,010	2,470	2,010	2,524	57 - 72	35	70,000	
			55L	4,238	3,543	4,238	3,586	4,407	3,586	4,502	57 - 73	62	75,000	
		FW	T	12L	1,084	906	1,084	917	1,127	917	1,152	62 - 79	15	80,000
				22L	1,775	1,484	1,775	1,502	1,846	1,502	1,886	62 - 79	24	85,000
				33L	2,572	2,150	2,572	2,176	2,675	2,176	2,732	61 - 78	35	70,000
				55L	4,588	3,836	4,588	3,883	4,771	3,883	4,875	62 - 79	62	75,000
	G		12L	1,109	928	1,109	939	1,154	939	1,179	63 - 81	15	80,000	
			22L	1,817	1,519	1,817	1,537	1,889	1,537	1,930	63 - 80	24	85,000	
			33L	2,632	2,201	2,632	2,227	2,737	2,227	2,796	63 - 80	35	70,000	
			55L	4,695	3,926	4,695	3,974	4,883	3,974	4,989	63 - 80	62	75,000	

Subject to change without notice. Visit www.kenall.com for ies files and additional information.



www.kenall.com

P: 800-4-Kenall

F: 262-891-9701

10200 55th Street Kenosha, Wisconsin 53144

When you see this image, you will know the Kenall product shown or described is designed and manufactured in the USA with components purchased from US suppliers, and meets the Buy American requirements under the ARRA. Kenall has not determined the origin of its domestically purchased components or the subcomponents thereof. May be covered by patents found at www.kenall.com/patents. Content of specification sheets is subject to change; please consult www.kenall.com for current product details. © 2018 Kenall Mfg. Co. All rights reserved.

SIMPLESEAL DOWNLIGHT

Luminaires for Cleanroom Applications

CDL SERIES

PERFORMANCE

Wide Distribution Candela Curve	CDL6-FF-12L-40K8-W-CS-T		Distance to illuminated plane (ft)	CDL6-FF-12L-40K8-M-CS-T		Medium Distribution Candela Curve
	Initial center beam foot-candles	Beam diameter (ft)		Initial center beam foot-candles	Beam diameter (ft)	
	27.8	7.5	5'	84.4	3.2	
	22.0	7.8	6'	58.6	3.5	
	16.1	9.0	7'	43.1	4.0	
	12.3	11.0	8'	33.0	4.6	
	9.8	11.7	9'	26.0	5.2	
	7.9	12.6	10'	21.1	5.8	
Spacing Criteria: 1.4	foot-candle multipliers for 30K8(.96), 30K9(.80), 35K8(.96), 35K9(.81), 40K9(.81), 50K8(1.0)				Spacing Criteria: 0.62	
Beam Angle: 59°	Beam diameter is where foot-candles drop to 50% of maximum				Beam Angle: 34°	

Wide Distribution Candela Curve	CDL6-FF-22L-40K8-W-CS-T		Distance to illuminated plane (ft)	CDL6-FF-22L-40K8-M-CS-T		Medium Distribution Candela Curve
	Initial center beam foot-candles	Beam diameter (ft)		Initial center beam foot-candles	Beam diameter (ft)	
	45.5	7.5	5'	138.2	3.2	
	36.0	7.8	6'	96.0	3.5	
	26.3	9.0	7'	70.5	4.0	
	20.2	11.0	8'	54.0	4.6	
	16.1	11.7	9'	42.7	5.2	
	13.0	12.6	10'	34.5	5.8	
Spacing Criteria: 1.4	foot-candle multipliers for 30K8(.96), 30K9(.80), 35K8(.96), 35K9(.81), 40K9(.81), 50K8(1.0)				Spacing Criteria: 0.62	
Beam Angle: 59°	Beam diameter is where foot-candles drop to 50% of maximum				Beam Angle: 34°	

Wide Distribution Candela Curve	CDL6-FF-33L-40K8-W-CS-T		Distance to illuminated plane (ft)	CDL6-FF-33L-40K8-M-CS-T		Medium Distribution Candela Curve
	Initial center beam foot-candles	Beam diameter (ft)		Initial center beam foot-candles	Beam diameter (ft)	
	65.9	7.5	5'	200.2	3.2	
	52.1	7.8	6'	139.0	3.5	
	38.2	9.0	7'	102.2	4.0	
	29.3	11.0	8'	78.2	4.6	
	23.3	11.7	9'	61.8	5.2	
	18.8	12.6	10'	50.1	5.8	
Spacing Criteria: 1.36	foot-candle multipliers for 30K8(.96), 30K9(.80), 35K8(.96), 35K9(.81), 40K9(.81), 50K8(1.0)				Spacing Criteria: 0.36	
Beam Angle: 54°	Beam diameter is where foot-candles drop to 50% of maximum				Beam Angle: 21°	

Wide Distribution Candela Curve	CDL6-FF-55L-40K8-W-CS-T		Distance to illuminated plane (ft)	CDL6-FF-55L-40K8-M-CS-T		Medium Distribution Candela Curve
	Initial center beam foot-candles	Beam diameter (ft)		Initial center beam foot-candles	Beam diameter (ft)	
	117.6	7.5	5'	357.2	3.2	
	93.0	7.8	6'	248.0	3.5	
	68.1	9.0	7'	182.2	4.0	
	52.2	11.0	8'	139.5	4.6	
	41.5	11.7	9'	110.2	5.2	
	33.6	12.6	10'	89.3	5.8	
Spacing Criteria: 1.36	foot-candle multipliers for 30K8(.96), 30K9(.80), 35K8(.96), 35K9(.81), 40K9(.81), 50K8(1.0)				Spacing Criteria: 0.36	
Beam Angle: 54°	Beam diameter is where foot-candles drop to 50% of maximum				Beam Angle: 21°	



www.kenall.com

P: 800-4-Kenall

F: 262-891-9701

10200 55th Street Kenosha, Wisconsin 53144

When you see this image, you will know the Kenall product shown or described is designed and manufactured in the USA with components purchased from US suppliers, and meets the Buy American requirements under the ARRA. Kenall has not determined the origin of its domestically purchased components or the subcomponents thereof. May be covered by patents found at www.kenall.com/patents. Content of specification sheets is subject to change; please consult www.kenall.com for current product details. © 2018 Kenall Mfg. Co. All rights reserved.

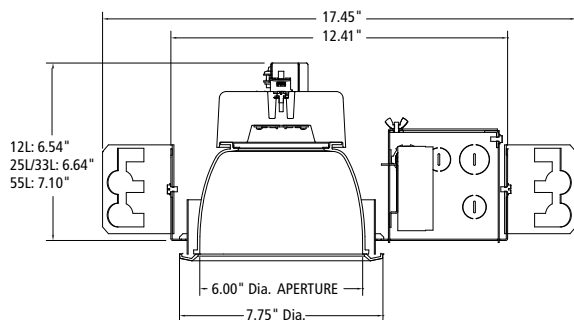
SIMPLESEAL DOWNLIGHT

Luminaires for Cleanroom Applications

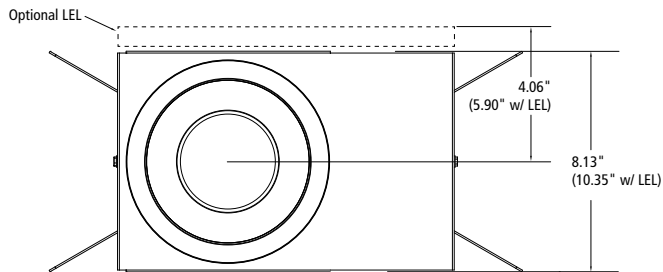
CDL SERIES

DIMENSIONAL DATA

CROSS SECTION



BOTTOM VIEW



RECOMMENDED CEILING CUT-OUT

NF Trims: 7.13" Dia.

FF Trims: 7.38" Dia.



www.kenall.com

P: 800-4-Kenall

F: 262-891-9701

10200 55th Street Kenosha, Wisconsin 53144

When you see this image, you will know the Kenall product shown or described is designed and manufactured in the USA with components purchased from US suppliers, and meets the Buy American requirements under the ARRA. Kenall has not determined the origin of its domestically purchased components or the subcomponents thereof. May be covered by patents found at www.kenall.com/patents. Content of specification sheets is subject to change; please consult www.kenall.com for current product details. © 2018 Kenall Mfg. Co. All rights reserved.