

SIMPLESEAL DOWNLIGHT

Luminaires for Cleanroom Applications

CDL SERIES

PRODUCT FEATURES:

- » 6" sealed, recessed downlight with flush lens trim
- » High-output, high CRI LED lamp sources with 2700K-6500K white tuning capability



PROJECT INFORMATION

Job Name _____

Fixture Type _____

Catalog Number _____

Approved by _____

SPECIFICATIONS

HEAT SINK: Die-cast aluminum with external radial fins for natural convection.

ROUGH-IN FRAME: 18-gauge die-formed, corrosion-resistant steel. Vertically adjustable collar accommodates ceiling thicknesses up to 2", adjustable post-installation. Universal mounting brackets accept 3/4" and 1-1/2" lathers channel, 1/2" EMT conduit and hanger bars. Quick-access junction box accessible post-installation from above and below ceiling. Includes (4) 1/2" and (2) 3/4" knock-outs to allow straight conduit runs. Listed for (4) 12AWG, 90°C conductors and feed-thru branch wiring. Provided with FMC with electrical quick-connect to Trim Section.

TRIM/HOUSING SECTION: IP-rated housing section incorporates the heat sink, LED module, optics and lower trim. Configurable with an IP64-rated Flush lens trim that is secured to the Rough-In frame with hidden torsion springs, and an IP65 Flush lens trim secured with four (4) Phillips-head, captive fasteners. See trim ordering information for available options.

OPTICAL: High-efficiency mixing chamber design producing uniform light output. Clear flush-mounted outer lens. Available with various reflector distribution patterns, finishes and lens materials—see Ordering Information for available options.

LED MODULE: Tunable-white LED array provides 2700K through 6500K CCT range with a two-point path. 3-step MacAdam variation allowance on each CCT. Minimum 82 CRI (R9 >20).

DRIVER: 120-277VAC, 50/60Hz electrical input (PF ≥ 0.9, THD < 20%). Minimum 85% electrical efficiency. Serviceable, constant-current multi-channel programmable driver with dual analog (0-10V) control inputs for intensity and CCT. Linear intensity and CCT adjustment profiles with 1-100% range and dim-to-dark capabilities on intensity. Optional DALI-2 driver with 0.1-100% range and dim-to-dark intensity dimming with linear intensity and CCT adjustment profiles.

PHOTOMETRICS: Photometry tested to the IESNA LM-79-08 standard by an ILAC/ISO17025 accredited laboratory. For photometric information, go to www.kenall.com.

WARRANTY: Limited five (5) year LED warranty.

LISTINGS: Luminaire is certified to UL standards by Intertek Testing Laboratory for non-IC and Wet Location installations. IP64 and IP65 rating per IEC60598. NSF2 Splash/Non-Food Zone. Optional CCEA compliance. Meets FED-STD-209E/Class 100 (ISO 5) Cleanrooms.



ORDERING INFORMATION (EX: CDL6-FF-2FW-22T-27/65K8-W-CSS-T-RIG6-DV-DTW-LEL)

TRIM

Model	Trim Style	Trim Finish	Lamp Power	Lamp Color	Distribution	Reflector Finish	Flush Lens Type
-------	------------	-------------	------------	------------	--------------	------------------	-----------------

CDL6 _____ **27/65K8** _____ **T** _____

Trim Style

- FF** Flush Lens (With Fasteners - IP65)
NF Flush Lens (Without Fasteners - IP64)

Trim Finish

- 2FW** Cold-Rolled Steel in Flat White
5BR Type 304 Stainless Steel with 4B Brushed Finish
5FW Type 304 Stainless Steel in Flat White

Lamp Power

- 22T** 22W Tunable White LED
28T 28W Tunable White LED

Lamp Color

- 27/65K8** 2700-6500K CCT Range (82 CRI min)

Distribution

- M** Medium
W Wide

Reflector Finish

- FW** Flat White
CS Clear Specular
CSS Clear Semi-Specular

Flush Lens Type

- T** 1/8" Clear High-Impact Acrylic

ROUGH-IN

Rough-In	Input Voltage	Driver Type	Options
----------	---------------	-------------	---------

RIG6 _____

Rough-In

- RIG6** 6" Rough-In

Input Voltage

- DV** 120-277V, 50/60Hz

Driver Type

- ATW** Analog (0-10V) Dimming Tunable White Driver
DTW DALI-2 Tunable White Driver

Options

- LEL** Emergency Battery Backup with Remote Test Switch
FS Fuse & Holder
CCEA CCEA Approved



www.kenall.com

P: 800-4-Kenall

F: 262-891-9701

10200 55th Street Kenosha, Wisconsin 53144

When you see this image, you will know the Kenall product shown or described is designed and manufactured in the USA with components purchased from US suppliers, and meets the Buy American requirements under the ARRA. Kenall has not determined the origin of its domestically purchased components or the subcomponents thereof. May be covered by patents found at www.kenall.com/patents. Content of specification sheets is subject to change; please consult www.kenall.com for current product details. © 2018 Kenall Mfg. Co. All rights reserved.

CDL6-TW-101618

SIMPLESEAL DOWNLIGHT

Luminaires for Cleanroom Applications

CDL SERIES

PERFORMANCE

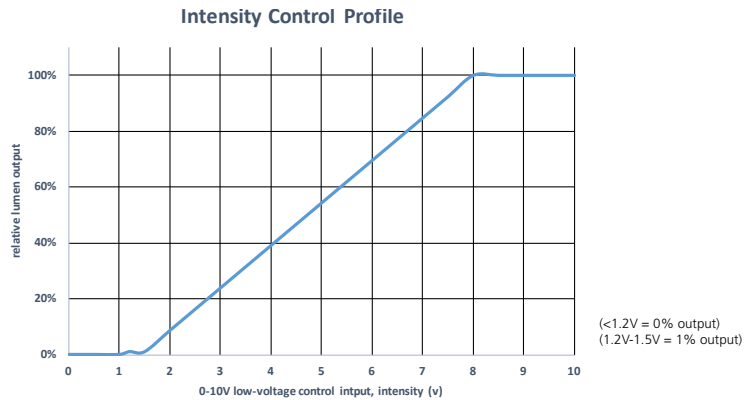
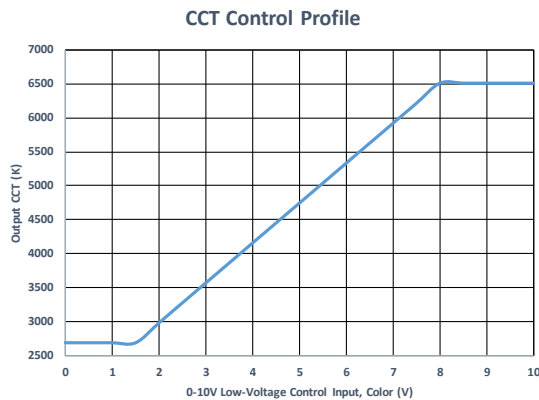
Optic		Lamp Code	Delivered Performance at 4000K			Estd. L70 LED Life (hrs)
Distribution	Reflector Finish		Lumen Output (lm)	Efficacy (lm/W)	Input Power (W)	
M	CS	22T-27/65K8	1,356	57	24	75,000
		28T-27/65K8	2,170	72	30	60,000
	CSS	22T-27/65K8	1,273	54	24	75,000
		28T-27/65K8	2,037	68	30	60,000
	FW	22T-27/65K8	1,257	53	24	75,000
		28T-27/65K8	2,012	67	30	60,000
W	CS	22T-27/65K8	1,526	64	24	75,000
		28T-27/65K8	2,442	81	30	60,000
	CSS	22T-27/65K8	1,295	55	24	75,000
		28T-27/65K8	2,073	69	30	60,000
	FW	22T-27/65K8	1,435	60	24	75,000
		28T-27/65K8	2,297	77	30	60,000

Subject to change without notice. Visit www.kenall.com for ies files and additional information.

PERFORMANCE SCALING, BY LAMP COLOR

CCT (K)	27/65K8				
	LUMEN SCALE FACTOR	Ra	R9	Rf	Rg
2700	0.95	82	3	82	94
3000	0.96	84	18	84	95
3500	0.96	87	27	85	96
4000	1.00	88	30	85	96
4600	1.00	88	33	85	96
5000	1.00	88	35	85	96
5700	1.00	88	33	85	96
6500	1.01	88	31	84	95

CCT AND INTENSITY ADJUSTMENT PROFILE - ATW DRIVER TYPE



NOTE: The provided information is the typical expected performance of a single luminaire. Additional luminaires on the same 0-10V line may result in different control profiles. Fine tuning of system performance should be completed after installation is complete. To avoid CCT shift between luminaires, care should be taken to minimize voltage drop on the CCT Control line. It is recommended to limit the load on the CCT control circuit to twenty (20) luminaires or less.



www.kenall.com

P: 800-4-Kenall

F: 262-891-9701

10200 55th Street Kenosha, Wisconsin 53144

When you see this image, you will know the Kenall product shown or described is designed and manufactured in the USA with components purchased from US suppliers, and meets the Buy American requirements under the ARRA. Kenall has not determined the origin of its domestically purchased components or the subcomponents thereof. May be covered by patents found at www.kenall.com/patents. Content of specification sheets is subject to change; please consult www.kenall.com for current product details. © 2018 Kenall Mfg. Co. All rights reserved.

CDL6-TW-101618

SIMPLESEAL DOWNLIGHT

Luminaires for Cleanroom Applications

CDL SERIES

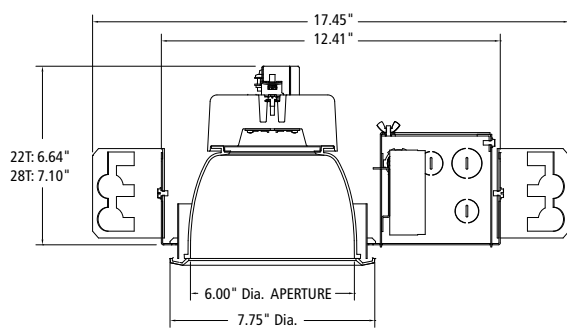
PERFORMANCE

Wide Distribution Candela Curve	CDL6-FF-22T-27/65K8-W-CS-T		Distance to illuminated plane (ft)	CDL6-FF-22T-27/65K8-M-CS-T		Medium Distribution Candela Curve
	Initial center beam foot-candles	Beam diameter (ft)		Initial center beam foot-candles	Beam diameter (ft)	
	35.4	7.2	5'	107.4	3.2	
	28.0	7.5	6'	74.6	3.5	
	20.5	9.2	7'	54.8	4.0	
	15.7	10.5	8'	42.0	4.6	
	12.5	11.5	9'	33.2	5.3	
	10.1	12.5	10'	26.9	5.8	
Spacing Criteria: 1.4	Delivered performance at 4000K. See "Performance Scaling, By Lamp Color" chart for foot-candle multipliers at alternate CCTs				Spacing Criteria: 0.62	
Beam Angle: 59°	Beam diameter is where foot-candles drop to 50% of maximum				Beam Angle: 34°	

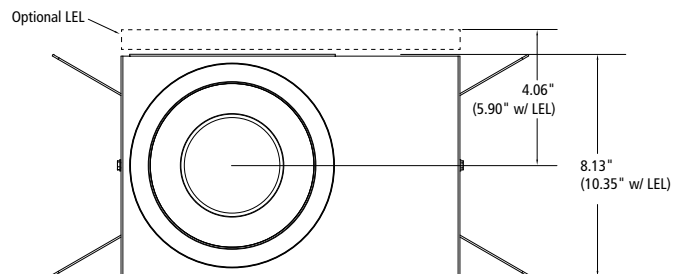
Wide Distribution Candela Curve	CDL6-FF-28T-27/65K8-W-CS-T		Distance to illuminated plane (ft)	CDL6-FF-28T-27/65K8-M-CS-T		Medium Distribution Candela Curve
	Initial center beam foot-candles	Beam diameter (ft)		Initial center beam foot-candles	Beam diameter (ft)	
	59.5	6.9	5'	339.1	2.9	
	52.8	7.0	6'	235.5	3.0	
	38.9	8.2	7'	173.0	3.4	
	29.7	9.4	8'	132.4	3.8	
	23.4	10.6	9'	104.7	4.4	
	19.0	11.6	10'	84.8	4.8	
Spacing Criteria: 1.36	Delivered performance at 4000K. See "Performance Scaling, By Lamp Color" chart for foot-candle multipliers at alternate CCTs				Spacing Criteria: 0.36	
Beam Angle: 54°	Beam diameter is where foot-candles drop to 50% of maximum				Beam Angle: 21°	

DIMENSIONAL DATA

CROSS SECTION



BOTTOM VIEW



RECOMMENDED CEILING CUT-OUT

NF Trims: 7.13" Dia.
FF Trims: 7.38" Dia.



www.kenall.com

P: 800-4-Kenall

F: 262-891-9701

10200 55th Street Kenosha, Wisconsin 53144

When you see this image, you will know the Kenall product shown or described is designed and manufactured in the USA with components purchased from US suppliers, and meets the Buy American requirements under the ARRA. Kenall has not determined the origin of its domestically purchased components or the subcomponents thereof. May be covered by patents found at www.kenall.com/patents. Content of specification sheets is subject to change; please consult www.kenall.com for current product details. © 2018 Kenall Mfg. Co. All rights reserved.

CDL6-TW-101618