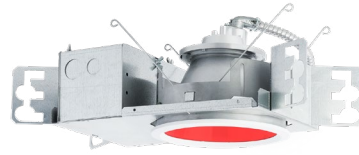


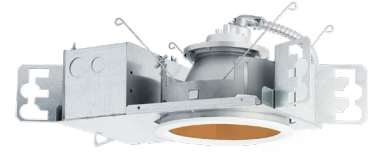
SIMPLESEAL NARROW SPECTRUM

Luminaires for Cleanroom Applications

CDL SERIES



630nm (Red)



590nm (Native Amber)

PRODUCT FEATURES:

- » 6" sealed, recessed downlight with flush lens trim
- » Native 630nm Red and 590nm Amber lamping options for narrow bandwidth, spectrally sensitive applications such as photo-sensitive manufacturing
- » 1% Dimming via 0-10V or DALI control

SPECIFICATIONS

HEAT SINK: Die-cast aluminum with external radial fins for natural convection.

ROUGH-IN FRAME: 18-gauge die-formed, corrosion-resistant steel. Vertically adjustable collar accommodates ceiling thicknesses up to 2", adjustable post-installation. Universal mounting brackets accept 3/4" and 1-1/2" lathers channel, 1/2" EMT conduit and hanger bars. Quick-access junction box accessible post-installation from above and below ceiling. Includes (4) 1/2" and (2) 3/4" knock-outs to allow straight conduit runs. Listed for (8) 12AWG, 90°C conductors and feed-thru branch wiring. Provided with FMC with electrical quick-connect to Trim Section.

TRIM/HOUSING SECTION: IP-rated housing section incorporates the heat sink, LED module, optics and lower trim. Configurable with an IP64-rated Flush lens trim that is secured to the Rough-In frame with hidden torsion springs, and an IP65 Flush lens trim secured with four (4) Phillips-head, captive fasteners. See trim ordering information for available options.

OPTICAL: Diffused tempered glass upper lens. No light filtering elements. Available with various reflector distribution patterns and finishes. Flush lens trim options include a clear lens. See distribution and reflector finish ordering information for available options.

ELECTRICAL: Native 630nm Red and 590nm Amber LED options (non phosphor-converted). Narrow bandwidth native sources provide optimal control over spectral emissions. 120-277VAC or 347VAC, 50/60Hz electrical input with serviceable constant current driver (<20% THD, >0.90 PF). Minimum 85% driver efficiency. Standard 0-10V dimming with 1-100% range and dim-to-dark capabilities (non dim-to-dark with 347V); 165µA maximum source current. Optional eldoLED ECOdrive DALI driver with 1-100% range.

PHOTOMETRICS: Photometry tested to the IESNA LM-79-08 standard by an ILAC/ISO17025 accredited laboratory. For photometric information, go to www.kenall.com.

WARRANTY: Limited three (3) year LED warranty.

LISTINGS: Luminaire is certified to UL standards by Intertek Testing Laboratory for non-IC and Wet Location installations. IP64 and IP65 rating per IEC60598. NSF2 Splash/Non-Food Zone. Optional CCEA compliance. Meets FED-STD-209E/Class 100 (ISO 5) Cleanrooms.



ORDERING INFORMATION (EX: CDL6-FF-2FW-10R-W-CSS-T-RIG6-DV-DIM1)

TRIM

Model	Trim Style	Trim Finish	Lamp Power	Distribution	Reflector Finish	Flush Lens Type
-------	------------	-------------	------------	--------------	------------------	-----------------

CDL6

Trim Style

FF Flush Lens (With Fasteners - IP65)
NF Flush Lens (Without Fasteners - IP64)

Distribution

M Medium
W Wide

Trim Finish

2FW Cold-Rolled Steel in Flat White
5BR Type 304 Stainless Steel with 4B Brushed Finish
5FW Type 304 Stainless Steel in Flat White

Reflector Finish

FW Flat White
CS Clear Specular
CSS Clear Semi-Specular

Lamp Power / Color

10R 10 Watt 630nm Native Red LED
12NA 12 Watt 590nm Native Amber LED

Flush Lens Type

T 1/8" Clear High-Impact Acrylic
G 1/8" Clear Polycarbonate

ROUGH-IN

Rough-In	Input Voltage	Driver Type	Options
----------	---------------	-------------	---------

RIG6

Rough-In

RIG6 6" Rough-In

Input Voltage

DV 120-277V, 50/60Hz
120 120VAC, 50/60Hz
277 277VAC, 50/60Hz
347* 347VAC, 60Hz

Driver Type

DIM1 0-10V Dimming to 1%
DALI DALI Dimming to 1%

Options

LEL 7W Emergency Battery Backup with Remote Test Switch
F5 Fuse & Holder
CCEA CCEA Approved (specified voltage required; n/a 347V)

* N/A with DALI Driver Type. N/A with LEL option



www.kenall.com | P: 800-4-Kenall | F: 262-891-9700 | 10200 55th Street Kenosha, Wisconsin 53144, USA

A brand of **legrand**

This product complies with the Buy American Act: manufactured in the United States with more than 50% of the component cost of US origin. It may be covered by patents found at www.kenall.com/patents. Content of specification sheets is subject to change; please consult www.kenall.com for current product details. ©2023 Kenall Mfg. Co.

SIMPLESEAL NARROW SPECTRUM

Luminaires for Cleanroom Applications

CDL SERIES

PHOTOMETRIC PERFORMANCE

Distribution	Optic			Lamp Code	Lamp Color	Initial Delivered Lumens	Input Power (W)	Estd. L70 LED Life (hrs)
	Distribution	Reflector Finish	Lens Type					
FF / NF	M	CS	T	10R	630nm Red	411	12	36,000
				12NA	590nm Native Amber	235	15	
			G	10R	630nm Red	400	12	
				12NA	590nm Native Amber	228	15	
		CSS	T	10R	630nm Red	386	12	
				12NA	590nm Native Amber	220	15	
			G	10R	630nm Red	375	12	
				12NA	590nm Native Amber	214	15	
		FW	T	10R	630nm Red	381	12	
				12NA	590nm Native Amber	218	15	
			G	10R	630nm Red	371	12	
				12NA	590nm Native Amber	212	15	
	W	CS	T	10R	630nm Red	463	12	
				12NA	590nm Native Amber	264	15	
			G	10R	630nm Red	450	12	
				12NA	590nm Native Amber	257	15	
		CSS	T	10R	630nm Red	393	12	
				12NA	590nm Native Amber	224	15	
			G	10R	630nm Red	382	12	
				12NA	590nm Native Amber	218	15	
		FW	T	10R	630nm Red	435	12	
				12NA	590nm Native Amber	248	15	
			G	10R	630nm Red	423	12	
				12NA	590nm Native Amber	242	15	

Subject to change without notice. Visit www.kenall.com for ies files and additional information.



SIMPLESEAL NARROW SPECTRUM

Luminaires for Cleanroom Applications

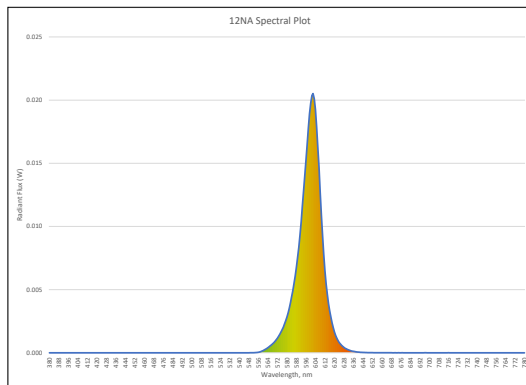
CDL SERIES

PHOTOMETRIC PERFORMANCE

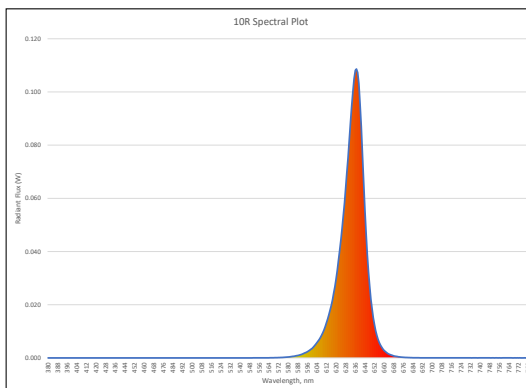
Wide Distribution Candela Curve	CDL6-vF-12NA-W-CS-T		Distance to illuminated plane (ft)	CDL6-vF-12NA-M-CS-T		Medium Distribution Candela Curve
	Initial center beam footcandles	Beam diameter (ft)		Initial center beam footcandles	Beam diameter (ft)	
	5.8	7.3	5'	18.7	2.8	
	4.1	8.8	6'	13.0	3.4	
	3.0	10.2	7'	9.6	3.9	
	2.3	11.7	8'	7.3	4.5	
	1.8	13.2	9'	5.8	5.0	
	1.5	14.6	10'	4.7	5.6	
Spacing Criteria: 1.38	foot-candle multipliers for 10R (1.75), 12NA (1.00)					Spacing Criteria: 0.61
Beam Angle: 72°	Beam diameter is where foot-candles drop to 50% of maximum					Beam Angle: 31°

Wide Distribution Candela Curve	CDL6-vF-12NA-W-CSS-T		Distance to illuminated plane (ft)	CDL6-vF-12NA-M-CSS-T		Medium Distribution Candela Curve
	Initial center beam footcandles	Beam diameter (ft)		Initial center beam footcandles	Beam diameter (ft)	
	6.35	5.7	5'	11.9	4.6	
	4.41	6.8	6'	8.2	5.5	
	3.24	7.9	7'	6.1	6.5	
	2.48	9.1	8'	4.6	7.4	
	1.96	10.2	9'	3.7	8.3	
	1.59	11.3	10'	3.0	9.2	
Spacing Criteria: 1.13	foot-candle multipliers for 10R (1.75), 12NA (1.00)					Spacing Criteria: 0.77
Beam Angle: 59°	Beam diameter is where foot-candles drop to 50% of maximum					Beam Angle: 50°

SPECTROPHOTOMETRIC PERFORMANCE



12NA	
Purity	1.0006
UV (<400nm)	0.000%
Radiant Flux (≤560nm)	0.000%
Bandwidth	17.8 nm
Peak Wavelength	590 nm



10R	
Purity	1.0003
UV (<400nm)	0.000%
Radiant Flux (≤560nm)	0.000%
Bandwidth	18.7 nm
Peak Wavelength	630 nm



www.kenall.com | P: 800-4-Kenall | F: 262-891-9700 | 10200 55th Street Kenosha, Wisconsin 53144, USA

A brand of **legrand**

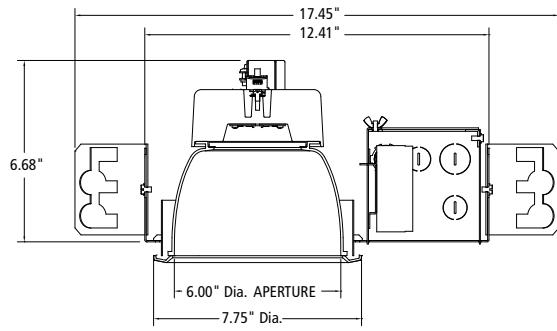
This product complies with the Buy American Act: manufactured in the United States with more than 50% of the component cost of US origin. It may be covered by patents found at www.kenall.com/patents. Content of specification sheets is subject to change; please consult www.kenall.com for current product details. ©2023 Kenall Mfg. Co.

SIMPLESEAL NARROW SPECTRUM Luminaires for Cleanroom Applications

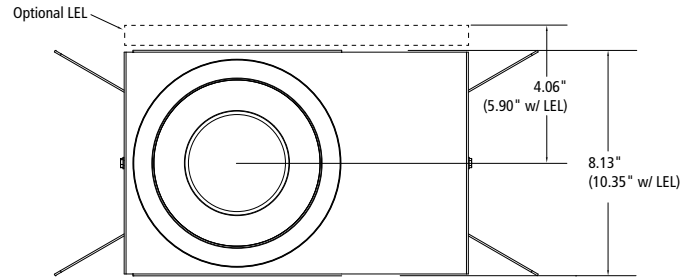
CDL SERIES

DIMENSIONAL DATA

CROSS SECTION



BOTTOM VIEW



RECOMMENDED CEILING CUT-OUT

NF Trims: 7.13" Dia.

FF Trims: 7.38" Dia.

