

# MIGHTY MAC™

## CC SERIES

### PRODUCT FEATURES:

- » Corner mount, hinged clamshell
- » Available in 9" x 24" and 48" lengths
- » Clamshell design prevents contraband concealment
- » Vertically adjustable 2-bracket lens retention via 6" thru-stud spacing



### PROJECT INFORMATION

Job Name \_\_\_\_\_

Fixture Type \_\_\_\_\_

Catalog Number \_\_\_\_\_

Approved by \_\_\_\_\_

### SPECIFICATIONS

**HOUSING:** One-piece die-formed prime grade material as specified – see Ordering Information. Corners continuously seam welded and smooth with no post grinding (TIG). Clamshell housing resistant to penetration and contraband concealment.

**BASEPLATE:** Prime grade material as specified – see Ordering Information. Die-formed blade trap (1/4" minimum) prevents contraband concealment and access. Embossed standoffs prevent distortion.

**LENS:** As specified – maximum total thickness .875" – see Ordering Information. Kenall recommends a clear outer lens with a prismatic, textured or diffused inner lens. Two clear lenses used in combination cannot be provided.

**LENS RETENTION:** Vertically adjustable continuous "Z" brackets of prime grade material, secured to housing via thru-studs (6" maximum spacing).

**HINGE:** 2' continuous heavy gauge internal piano hinge (1/2" knuckle/1/8" diameter pin) standard. Pin secured to knuckle. Hinge welded to housing and mounts to baseplate via keyholes. See Options for Full Length Internal Hinge (IHF) (standard on 1' housing).

**FASTENERS:** Hardened security screws as specified – see Ordering Information. Fully recessed.

**LUMINOUS SEAL:** Polyurethane foam prevents light leaks from luminaire base.

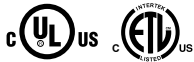
**FINISH:** TGIC polyester powder coat – 5-stage pre-treatment. Salt spray test: 1,000 hours; Reflectance: 92%.

**ELECTRICAL:** **LED:** Available 3000K, 3500K, 4000K and 5000K color temperatures, 82 CRI. 120-277VAC, 50/60Hz electrical input with serviceable high power factor electronic, constant-current driver (<20% THD, >0.95 PF). Standard 0-10V dimming with 1-100% range and dim-to-dark capabilities (non dim-to-dark with 347V); 330 µA max. source current. **LE:** Lamp quantity and type as specified – see Ordering Information. Lamps supplied by others. Ballast quantity and type as specified – see Ordering Information. All ballasts UL listed class P. Optional removable reflector/lamp/ballast tray with quick disconnect.

**INSTALLATION:** Corner mount, surface; Fixture not suitable for Surface Conduit or Continuous Row Mounting.

**WARRANTY:** Limited five (5) year LED warranty.

**LISTINGS:** **FL:** UL and CUL Listed for Damp Locations. **LED:** Luminaire is certified to UL1598 and UL8750 standards by Intertek Testing Services for Damp Locations. See Ordering Information for optional Wet Location rating.



### ORDERING INFORMATION (Ex: CC-2-0/0-25L40K-DCC-277-SYM/B-1-DLN)

Model	Size	Housing/Base	Lamp Qty	Lamp Type	Driver/Ballast Type	Ballast Qty	Voltage	Lens (Inner/Outer)	Fasteners	Options
<b>CC</b>		/						/		
<b>Nominal Size</b>		<b>Lamp Type</b>		<b>Ballast Quantity (n/a with LED)</b>			<b>Fastener</b>			
2	9" x 24"	<b>2' Nominal Length</b>		1	One	1 Torx® Head w/ Center Pin				
4	9" x 48"	<b>25L30K</b> 25 Watt 300K LED		2	Two	2 Allen Head w/ Center Pin				
<b>Housing/Base Material</b>		<b>25L35K</b> 25 Watt 3500K LED		<b>Voltage</b>			<b>Options</b>			
0	14-Ga CRS (Painted White)	<b>25L40K</b> 25 Watt 4000K LED		DV	120-277 Volts	<b>EL•</b> Standard Lumen EL Pack				
1	16-Ga CRS (Painted White)	<b>25L50K</b> 25 Watt 5000K LED		120	120 Volts	<b>LEL†</b> Integral 8.4W Emergency Battery Backup (4' only, 45L max; n/a 347V, 0°C min ambient)				
3	14-Ga SS (Painted White)	<b>17</b> F17T8		277	277 Volts	<b>LELST</b> Integral 6W Self-Testing Emergency Battery Backup (4' only, 45L max; n/a 347V, 0°C min ambient)				
4	16-Ga SS (Painted White)	<b>4' Nominal Length</b>		347	347 Volts	<b>DLN</b> LED Night Light w/Light Level Control (100%-20%; voltage-specific selection required, n/a with 347V)				
6*	14-Ga SS (Brushed)	<b>45L30K</b> 45 Watt 3000K LED		<b>Lens (Inner/Outer)‡</b>			<b>FS</b> Single Fuse & Holder			
7*	16-Ga SS (Brushed)	<b>45L35K</b> 45 Watt 3500K LED		0	No Lens	<b>IHF</b> Full Length Internal Hinge				
9	12-Ga CRS (Painted White)	<b>45L40K</b> 45 Watt 4000K LED		1	.125" Prismatic Acrylic	<b>RG</b> Removable Gear Tray				
<b>Lamp Quantity (n/a with LED)</b>		<b>45L50K</b> 45 Watt 5000K LED		2	.125" Prismatic Polycarbonate	<b>SK</b> Speaker Housing Extension				
1	One	<b>67L30K</b> 67 Watt 3000K LED		3	.125" Textured Polycarbonate	<b>WL</b> Wet Location Listed				
2	Two	<b>67L35K</b> 67 Watt 3500K LED		G▲	.125" Clear Polycarbonate	* n/a as Base Material				
3	Three	<b>67L40K</b> 67 Watt 4000K LED		4	.156" Prismatic Polycarbonate	• n/a with F54T5HO or LED lamping				
		<b>90L30K</b> 90 Watt 3000K LED		4	.156" Prismatic Polycarbonate	† LED lamping only				
		<b>90L35K</b> 90 Watt 3500K LED		6	.187" Prismatic Polycarbonate	» Can only be used with clear outer lens				
		<b>90L40K</b> 90 Watt 4000K LED		TG	.125" Textured Tempered Glass	‡ Refer to lens specifications				
		<b>90L50K</b> 90 Watt 5000K LED		6	.187" Prismatic Polycarbonate	▲ Must be paired with prismatic, textured or diffused lens when ordering LED lamps				
		<b>28</b> F28T5		7▲	.187" Clear Polycarbonate					
		<b>32</b> F32T8		8▲	.187" Clear Tempered Glass					
		<b>54</b> F54T5HO		9▲	.250" Clear Polycarbonate					
		<b>Driver/Ballast Type</b>		A▲	.250" Clear Tempered Glass					
		<b>DCC†</b> Dimming Constant Current LED Driver		B▲	.375" Clear Polycarbonate					
		<b>IS</b> Instant Start Electronic <10% THD (T8)		C▲	.375" Clear Tempered Glass					
		<b>RS</b> Rapid Start Electronic <10% THD (T8, T5, T5HO)		J▲	.500" Clear Polycarbonate					
		<b>SB</b> Specified Ballast		P▲	.500" Clear Tempered Glass					
				N▲	.750" Clear Tempered Glass					



www.kenall.com | P: 800-4-Kenall | F: 262-891-9701 | 10200 55th Street Kenosha, Wisconsin 53144, USA

This product complies with the Buy American Act: manufactured in the United States with more than 50% of the component cost of US origin. It may be covered by patents found at www.kenall.com/patents. Content of specification sheets is subject to change; please consult www.kenall.com for current product details. ©2019 Kenall Mfg. Co.

A brand of **legrand**

# MIGHTY MAC™

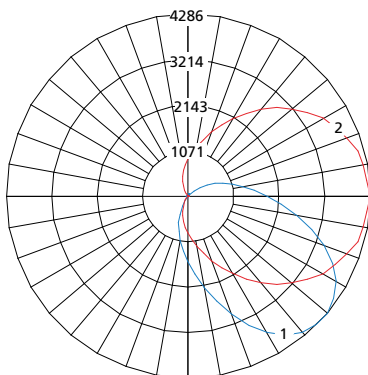
## CC SERIES

### PERFORMANCE

Model	Lamp Type	Initial Delivered Lumens		Input Power (W)	Drive Current (mA)	Estd. L70 LED Life (Hrs)
		@ 25°C	Efficacy (lm/W)			
CC-2	25L30K	2,199	77	28	117	80,000
	25L35K	2,267	80	28	117	80,000
	25L40K	2,345	83	28	117	80,000
	25L50K	2,438	86	28	117	80,000
CC-4	45L30K	4,164	90	47	100	80,000
	45L35K	4,293	92	47	100	80,000
	45L40K	4,439	95	47	100	80,000
	45L50K	4,621	99	47	100	80,000
	67L30K	6,649	89	74	75	80,000
	67L35K	6,854	92	74	75	80,000
	67L40K	7,088	95	74	75	80,000
	67L50K	7,379	99	74	75	80,000
	90L30K	8,210	85	97	100	80,000
	90L35K	8,464	87	97	100	80,000
	90L40K	8,753	90	97	100	80,000
	90L50K	9,112	94	97	100	80,000

NOTE: All products tested with SYM/B lens configuration. See "Lumen Output Scaling Factor" table for output values with alternate lens configurations. Information subject to change without notice. Visit [www.kenall.com](http://www.kenall.com) for IES files and additional information.

Model: CC-4-x-y-90L40K-DCC-z-SYM-B-1



Maximum Candela = 4286 Located At Horizontal Angle = 0, Vertical Angle = 50

- 1 - Vertical Plane Through Horizontal Angles (0-180) (Through Max. Cd.)
- 2 - Horizontal Cone Through Vertical Angle (50) (Through Max. Cd.)

### LUMEN OUTPUT SCALING FACTORS

Lens Configuration	Inner Lens	Outer Lens	Scaling Factor
SYM/G	1/8" Frost Acrylic	1/8" Clear PC	1.10
SYM/7		3/16" Clear PC	1.06
SYM/8		3/16" Clear TG	1.06
SYM/9		1/4" Clear PC	1.03
SYM/B		3/8" Clear PC	1.00
SYM/C		3/8" Clear TG	1.03
SYM/J		1/2" Clear PC	0.99
1/G	1/8" Prismatic Acrylic	1/8" Clear PC	1.04
1/9		1/4" Clear PC	0.99
1/B		3/8" Clear PC	0.99
2/J		1/2" Clear PC	0.87

NOTE: Use this table to determine the lumen output and efficacy of the desired lens configuration by multiplying the provided value with the appropriate number in the "Performance" table above.



[www.kenall.com](http://www.kenall.com) | P: 800-4-Kenall | F: 262-891-9701 | 10200 55th Street Kenosha, Wisconsin 53144, USA

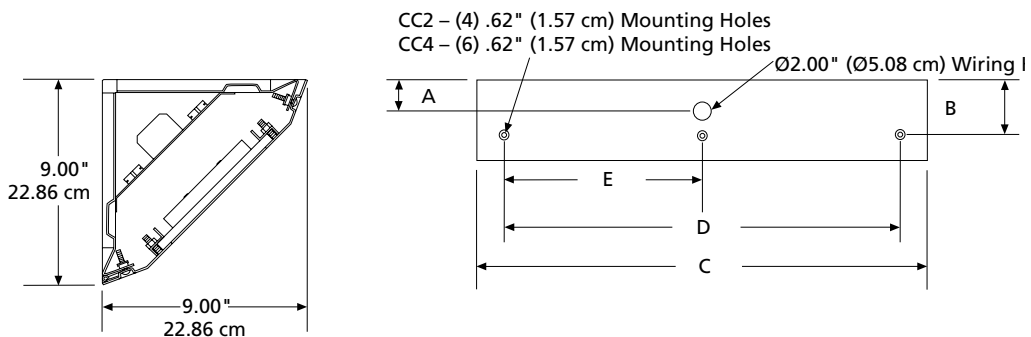
A brand of Legrand

This product complies with the Buy American Act: manufactured in the United States with more than 50% of the component cost of US origin. It may be covered by patents found at [www.kenall.com/patents](http://www.kenall.com/patents). Content of specification sheets is subject to change; please consult [www.kenall.com](http://www.kenall.com) for current product details. ©2019 Kenall Mfg. Co.

# MIGHTY MAC™

## CC SERIES

### DIMENSIONAL DATA



DIMENSIONAL DATA (IN INCHES/CM)					
	A	B	C	D	E
CC2	3.50/8.89	6.00/15.24	26.00/66.04	20.00/50.80	—
CC4	3.50/8.89	6.00/15.24	50.00/127	43.87/111	21.94/55.73

