

MIGHTY MAC™

CC SERIES using Indigo-Clean Technology

PRODUCT FEATURES:

- » Provides on-demand environmental disinfection via LED light
- » Single, white disinfection mode
- » Independent laboratory tested to kill harmful bacteria, including Staph*, such as MRSA**
- » Surface corner mount with hinged clamshell construction
- » TIG-welded housing without post-weld grinding for additional strength
- » Clamshell design prevents contraband concealment



PROJECT INFORMATION

Job Name _____
 Fixture Type _____
 Catalog Number _____
 Approved by _____

SPECIFICATIONS

HOUSING: One-piece die-formed prime grade material as specified – see Ordering Information. Corners continuously seam welded and smooth with no post grinding (TIG). Clamshell housing resistant to penetration and contraband concealment.

BASEPLATE: Prime grade material as specified – see Ordering Information. Die-formed blade trap (1/4" minimum) prevents contraband concealment and access. Embossed standoffs prevent distortion.

LENS: As specified – maximum thickness 0.375" – see Ordering Information. High-efficiency diffused DR acrylic inner lens.

LENS RETENTION: Vertically adjustable continuous "Z" brackets of prime grade material, secured to housing via thru-studs (6" maximum spacing).

HINGE: 2' continuous heavy gauge internal piano hinge (1/2" knuckle/1/8" diameter pin) standard. Pin secured to knuckle. Hinge welded to housing and mounts to baseplate via keyholes. See Options for Full Length Internal Hinge (IHF).

FASTENERS: Hardened security screws as specified – see Ordering Information. Fully recessed.

FINISH: TGIC polyester powder coat – 5-stage pre-treatment. Salt spray test: 1,000 hours; Reflectance: 92%.

ELECTRICAL: Serviceable mid-power white and 405nm Indigo LED array. Available 3200K, 3700K and 4300K color temperatures with 3-step MacAdam variation allowance. Minimum 82 CRI standard. 120-277VAC and 347VAC electrical input with serviceable high power factor electronic, constant-current drivers (<10% THD, >0.90 PF). Minimum 85% driver efficiency. Standard 0-10V dimming with 1-100% range and dim-to-dark capabilities. 800µA maximum source current. Single, white disinfection mode.

LUMINOUS SEAL: Polyurethane foam prevents light leaks from luminaire base.

INSTALLATION: Corner mount, surface; Fixture not suitable for Surface Conduit or Continuous Row Mounting.

PHOTOMETRICS: Photometry tested to the IESNA LM-79-08 standard by an ILAC/ISO17025 accredited laboratory. For additional photometric data, please go to www.kenall.com.

WARRANTY: Limited five (5) year warranty on LED lamps.

LISTINGS: Luminaire is certified to UL 1598 and UL 8750 standards by Intertek Testing Services for Damp Locations. See Ordering Information for Wet Location applications.

*per independent lab report #5GS-09516076094. Contact Kenall for a copy of this report.

**Antimicrobial Activity of a Continuous Visible Light Disinfection System by Rutala, et. al, ID Week 2016.



ORDERING INFORMATION (Ex: CC-4-2/1-55C37K-DCC-120-SYM/9-DLN)

| Model | Size | Housing/Base | Lamp Type | Driver Type | Voltage | Lens (Inner/Outer) | Fasteners | Options |
|-----------|---------------------|--------------|---|-------------|------------------------------------|--------------------|----------------------------|---|
| CC | 4 | / | | DCC | | SYM / | | |
| | Nominal Size | | Lamp Type | | Voltage | | Fastener | |
| | 4 9" x 48" | | 55C32K 55 Watt 3200K White & Indigo LED | | DV 120-277 Volts | | 1 Torx® Head w/ Center Pin | |
| | | | 55C37K 55 Watt 3700K White & Indigo LED | | 120 120 Volts | | 2 Allen Head w/ Center Pin | |
| | | | 55C43K 55 Watt 4300K White & Indigo LED | | 277 277 Volts | | | Options |
| | | | 82C32K 82 Watt 3200K White & Indigo LED | | 347 347 Volts | | | LEL LED Emergency Battery Backup (n/a 347V) |
| | | | 82C37K 82 Watt 3700K White & Indigo LED | | | | | DLN LED Night Light w/Light Level Control (100%-20%; Voltage specific selection required; n/a 347V) |
| | | | 82C43K 82 Watt 4300K White & Indigo LED | | Lens (Inner/Outer)‡ | | | FS Single Fuse & Holder |
| | | | 110C32K 110 Watt 3200K White & Indigo LED | | G .125" Clear Polycarbonate | | | IHF Full Length Internal Hinge |
| | | | 110C37K 110 Watt 3700K White & Indigo LED | | 7 .187" Clear Polycarbonate | | | RGT Removable Gear Tray |
| | | | 110C43K 110 Watt 4300K White & Indigo LED | | 8 .187" Clear Tempered Glass | | | SK Speaker Housing Extension |
| | | | Driver Type | | 9 .250" Clear Polycarbonate | | | WL Wet Location Listed |
| | | | DCC Dimming Constant Current | | A .250" Clear Tempered Glass | | | |
| | | | | | SYM Symmetric, Diffused DR Acrylic | | | |

* n/a as Base Material
 ‡ Refer to lens specifications



www.kenall.com

P: 800-4-Kenall

F: 262-891-9701

10200 55th Street Kenosha, Wisconsin 53144

When you see this image, you will know the Kenall product shown or described is designed and manufactured in the USA with components purchased from US suppliers, and meets the Buy American requirements under the ARRA. Kenall has not determined the origin of its domestically purchased components or the subcomponents thereof. May be covered by patents found at www.kenall.com/patents. Content of specification sheets is subject to change; please consult www.kenall.com for current product details. © 2018 Kenall Mfg. Co. All rights reserved.

MIGHTY MAC™

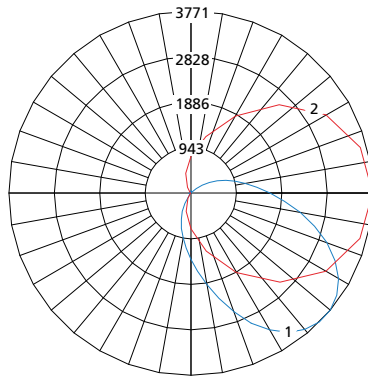
CC SERIES using Indigo-Clean Technology

PERFORMANCE

| Lamp Type | Initial Delivered Lumens (lm) | | Input Power (W) | Estd. L70 LED Life (Hrs) |
|-----------|-------------------------------|-----------------|-----------------|--------------------------|
| | @ 25°C | Efficacy (lm/W) | | |
| 55C32K | 4,034 | 64 | 63 | 80,000 |
| 55C37K | 4,139 | 66 | 63 | 80,000 |
| 55C43K | 4,181 | 66 | 63 | 80,000 |
| 82C32K | 6,092 | 65 | 94 | 80,000 |
| 82C37K | 6,250 | 66 | 94 | 80,000 |
| 82C43K | 6,314 | 67 | 94 | 80,000 |
| 110C32K | 7,508 | 62 | 122 | 80,000 |
| 110C37K | 7,702 | 63 | 122 | 80,000 |
| 110C43K | 7,781 | 64 | 122 | 80,000 |

Information subject to change without notice. Visit www.kenall.com for IES files and additional information.

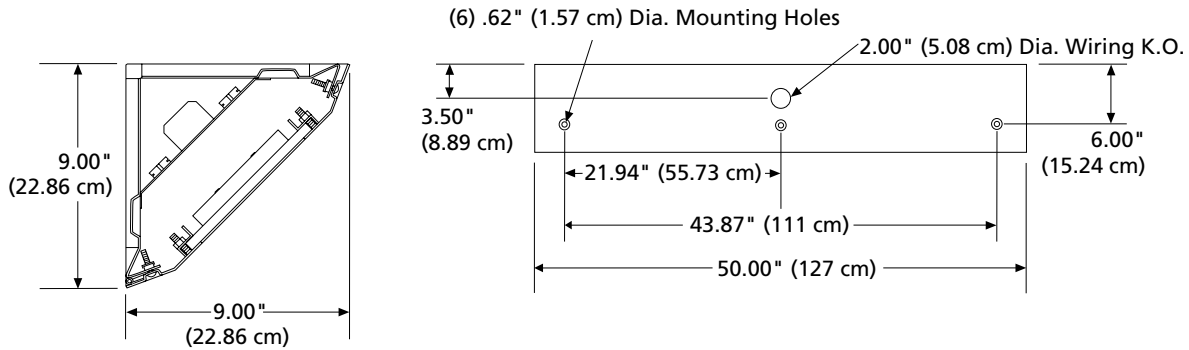
Model: CC-4-1/1-110C37K-DCC-DV-SYM/9-1



Maximum Candela = 3771 Located At Horizontal Angle = 0, Vertical Angle = 50

- 1 - Vertical Plane Through Horizontal Angles (0-180) (Through Max. Cd.)
- 2 - Horizontal Cone Through Vertical Angle (50) (Through Max. Cd.)

DIMENSIONAL DATA



www.kenall.com

P: 800-4-Kenall

F: 262-891-9701

10200 55th Street Kenosha, Wisconsin 53144

When you see this image, you will know the Kenall product shown or described is designed and manufactured in the USA with components purchased from US suppliers, and meets the Buy American requirements under the ARRA. Kenall has not determined the origin of its domestically purchased components or the subcomponents thereof. May be covered by patents found at www.kenall.com/patents. Content of specification sheets is subject to change; please consult www.kenall.com for current product details. © 2018 Kenall Mfg. Co. All rights reserved.