

MEDMASTER™ SATURN

BHSS SERIES – SYNCHRONOUS ENGINE LAMPING

PRODUCT FEATURES:

- » Synchronous center and perimeter light engines with unified illumination and control
- » Static and tunable white lamping options; native amber for nighttime operation
- » Surface wall or ceiling installation
- » 14" or 18" nominal diameter with 2" overall depth
- » Concealed, tamper-resistant trim fasteners
- » IK10 impact rating and Peace of Mind Guarantee® against breakage
- » NSF2 Rating for product cleanability



SPECIFICATIONS

HOUSING: Die-cast aluminum baseplate and frontal heat sink trim. Standard TGIC polyester powder coat finish on aluminum components with five-step pre-treatment to withstand 1,000-hour salt spray test per ASTM B117. See Ordering Information for available finishes.

OPTICAL: Injection-molded diffused UV-stabilized polycarbonate outer lenses for center and perimeter light engines. Center light engine utilizes inner acrylic light guide to provide uniformity from edge-lit light source.

LAMPING: Available in 3000K, 3500K and 4000K static white color temperatures with 3-step MacAdam variation allowance, or native 590 nm amber. Optional tunable white LED array provides 2700K through 6500K CCT range with a two-point path. Minimum 80 CRI standard (R9 >0) with optional minimum 90 CRI (R9 >50). Edge-lit center lamping and perimeter circumferential back-lit lamping are constructed with the same color specification LED and operate on the same driver. See dual-function BHSD product for independent color and control configurations.

ELECTRICAL: Fixed White & Amber: 120-277VAC and 347VAC, 50/60Hz electrical input with serviceable high-power factor electronic, constant-current driver (<20% THD, >0.90 PF). Standard 0-10V dimming with 1-100% range and dim-to-dark capabilities; 0.2mA source current per luminaire. Optional DALI-2 DT6 driver with 1-100% dimming range without dim-to-dark capabilities. Tunable White: 120-277VAC, 50/60Hz electrical input with serviceable, constant current multi-channel programmable driver with dual analog (0-10V) control inputs for intensity and CCT. Optional DALI (Type 8) driver. Logarithmic intensity profile with 0.1-100% range, with dim-to-dark capabilities. Linear profile on CCT adjustment. Refer to charts on page 3 for further details.

SENSOR & CONTROLS: Optional embedded microwave motion sensor mounted behind center diffuser. Factory programming is 30% dimming and 20min. timeout. Custom settings available upon request. Sensor operates at 5.8 GHz (continuous-wave radar) and provides 360° coverage. Retains CCT control in tunable white (TW) instances. To see the full list of third-party compatible controls, [click here](#).

INSTALLATION: Suitable for surface wall or ceiling installations over recessed junction box. 0°C to 40°C ambient environments, unless otherwise noted. Anchored four-point mounting required. Trim assembly secured to baseplate with three (3) concealed, tamper-resistant Torx® fasteners.

PHOTOMETRICS: Photometry tested to the IESNA LM-79-08 standard by an ILAC/ISO17025 accredited laboratory. For additional photometric information, go to www.kenall.com.

WARRANTY: Limited five (5) year LED warranty. Peace of Mind Guarantee against breakage.

LISTINGS: Luminaire is certified to UL Standards by Intertek Testing Laboratory for Lamp Locations; listing includes Emergency Battery Pack "LEL" option. NSF2 Splash/Non-Food Zone rated. Luminaire tested to an IK10 impact protection rating per IEC 60068-2-75:1997-08.



ORDERING INFORMATION (Ex: BHSS14-MW-PP-22L-35K9-DIM1-DV-LEL)

Model	Finish	Optic Type	Lamp Power	Lamp Color	Driver	Voltage	Options
PP							
Model		Lamp Power			Driver Type		
BHSS14 14" Nominal Diameter		14"			DIM1 0-10V Dimming to 1% with Dim-to-Dark		
BHSS18 18" Nominal Diameter		10L 10 Watt White LED			DALI DALI-2 DT6 Dimming to 1% without Dim-to-Dark		
		16L 16 Watt White LED			ATW Analog (0-10V) Dimming (Tunable White)		
Finish		22L 22 Watt White LED			DTW DALI-2 DT8 Dimming (Tunable White)		
MW Matte White		30L 30 Watt White LED					
WS Warm Satin Painted Anodized		38L▼ 38 Watt White LED			Voltage		
CS Cool Satin Painted Anodized		28T 28 Watt Tunable White LED			DV 120-277VAC, 50/60Hz		
BR Bronze		38T 38 Watt Tunable White LED			347 347VAC, 60Hz (DIM1 only)		
LG Light Gray		16NA 16 Watt 590 nm Native Amber LED			Options		
CC Custom Color (Consult factory)		28NA 28 Watt 590 nm Native Amber LED			LEL* Integral 4W Emergency Battery Backup		
Optic Type		18"			FS▼ Single Fuse & Holder		
PP Pearlescent Polycarbonate		16L 16 Watt White LED			MS◊ Embedded Motion Sensor		
		24L 24 Watt White LED					
		33L 33 Watt White LED					
		45L▼ 45 Watt White LED					
		58L 58 Watt White LED					
		32T 32 Watt Tunable White LED					
		42T 42 Watt Tunable White LED					
		24NA 24 Watt 590 nm Native Amber LED					
		42NA 42 Watt 590 nm Native Amber LED					
		Lamp Color▲					
		30K8 3000K / 80 CRI min.					
		35K8 3500K / 80 CRI min.					
		35K9 3500K / 90 CRI min.					
		40K8 4000K / 80 CRI min.					
		40K9 4000K / 90 CRI min.					
		27/65K8‡ 2700K-6500K Tunable / 80CRI min.					
		27/65K9‡ 2700K-6500K Tunable / 90CRI min.					

▲ n/a with Native Amber Lamp Power
 ‡ Only available with Tunable White Lamp Power
 * n/a 347V; n/a in conjunction with TW lamping or MS option;
 14" only: n/a in conjunction with FS option.
 ◊ n/a with 347V, DALI, ATW/DTW, or in conjunction with LEL.
 14": n/a with 38L lamp or FS option; 18": 33L max.
 ▼ n/a with 347V



MEDMASTER™ SATURN

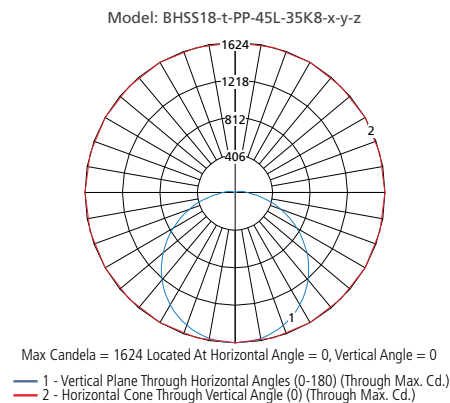
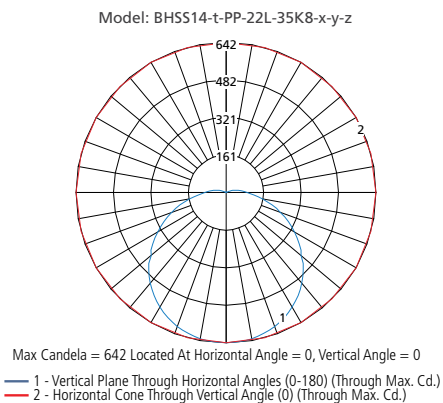
BHSS SERIES – SYNCHRONOUS ENGINE LAMPING PERFORMANCE

Model	Lamp Code	Initial Delivered Lumens, By Lamp Color (lm)					Efficacy (lm/W)	Input Power (W)	TM-21 Reported L70 (hrs)
		30K8	35K8	35K9	40K8	40K9			
BHSS14	10L	1,134	1,171	1,072	1,232	1,097	83 - 95	13	>72,000
	16L	1,692	1,747	1,600	1,839	1,636	82 - 95	19	
	22L	2,262	2,335	2,139	2,458	2,188	81 - 94	26	
	30L	3,087	3,187	2,919	3,355	2,986	82 - 95	35	
	38L	3,784	3,907	3,578	4,113	3,660	84 - 96	43	
BHSS18	16L	1,786	1,844	1,689	1,941	1,728	90 - 103	19	>72,000
	24L	2,693	2,780	2,546	2,927	2,605	89 - 102	29	
	33L	3,617	3,735	3,420	3,932	3,499	89 - 102	39	
	45L	5,073	5,238	4,797	5,514	4,907	95 - 109	51	
	58L	6,248	6,452	5,909	6,792	6,045	88 - 101	67	

Model	Lamp Code	Initial Delivered Lumens (lm)	Efficacy (lm/W)	Input Power (W)	TM-21 Reported L70 (hrs)
		590 nm Native Amber			
BHSS14	16NA	591	29	20	>60,000
	28NA	741	20	36	
BHSS18	24NA	952	33	29	>60,000
	42NA	1,269	24	52	

Model	Lamp Code	Initial Delivered Lumens at 4000K (lm)		Efficacy (lm/W)	Input Power (W)	TM-21 Reported L70 (hrs)
		27/65K8	27/65K9			
BHSS14	28T	2,702	2,285	74 - 88	31	>72,000
	38T	3,510	2,968	75 - 89	39	
BHSS18	32T	3,040	2,570	79 - 93	33	>72,000
	42T	4,481	3,789	80 - 95	47	

NOTE: Information subject to change without notice. All testing conducted by an ILAC/ISO17025 accredited laboratory. Please visit www.kenall.com for IES files and additional information.



www.kenall.com | P: 800-4-Kenall | F: 262-891-9700 | 10200 55th Street Kenosha, Wisconsin 53144, USA
 This product is able to comply with the latest domestic preference legislation, such as the Buy American Act (BAA), Trade Agreement Act (TAA), Build America, Buy America Act (BABA), and others. It may be covered by patents found at www.kenall.com/patents. Content of specification sheets is subject to change; please consult www.kenall.com for current product details. ©2025 Kenall Mfg. Co.

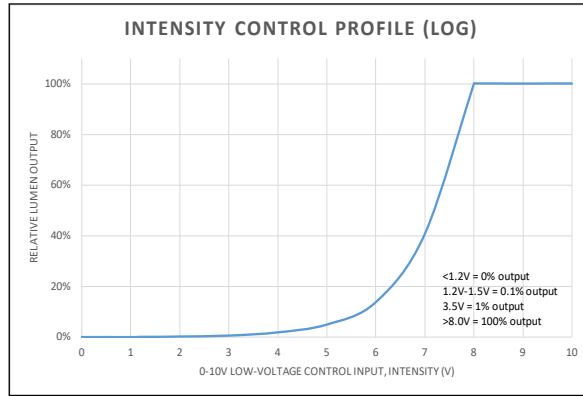
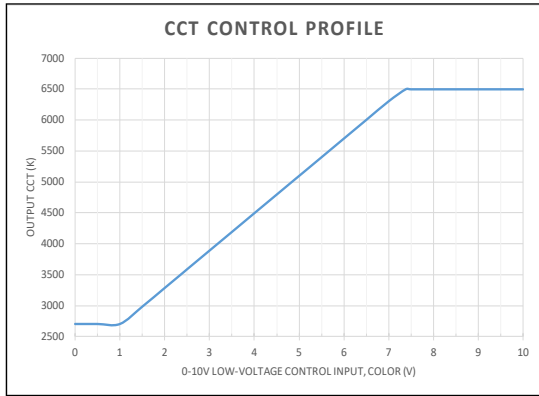
A brand of **Legrand**

BHSS SERIES – SYNCHRONOUS ENGINE LAMPING
PERFORMANCE

PERFORMANCE SCALING, BY LAMP COLOR

CCT (K)	27/65K8				27/65K9					
	LUMEN SCALE FACTOR	Ra	R9	Rf	Rg	LUMEN SCALE FACTOR	Ra	R9	Rf	Rg
2700	0.92	83	10	83	97	0.95	92	57	89	98
3000	0.95	84	15	83	98	0.97	94	70	91	99
3500	0.99	86	23	84	98	0.99	95	77	92	99
4000	1.00	86	26	84	98	1.00	96	83	92	99
4600	1.00	86	28	84	98	1.00	96	90	92	100
5000	1.01	86	25	83	98	1.01	96	96	91	101
5700	0.99	85	23	82	98	0.99	96	96	91	100
6500	0.99	84	16	82	96	0.99	96	96	90	100

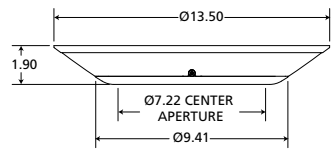
CCT AND INTENSITY ADJUSTMENT PROFILE - ATW DRIVER TYPE



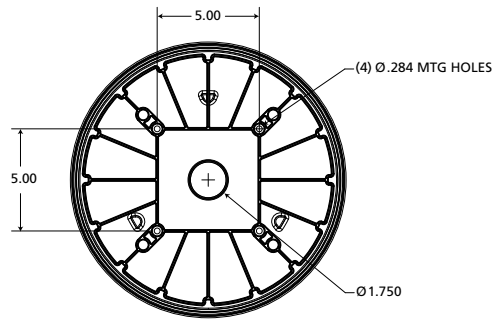
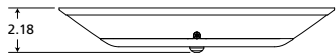
NOTE: The provided information is the typical expected performance of a single luminaire. Additional luminaires on the same 0-10V line may result in different control profiles. Fine tuning of system performance should be completed after installation is complete. To avoid CCT shift between luminaires, care should be taken to minimize voltage drop on the CCT Control line.

DIMENSIONAL DATA

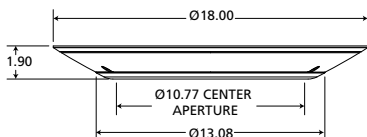
14" FIXTURE



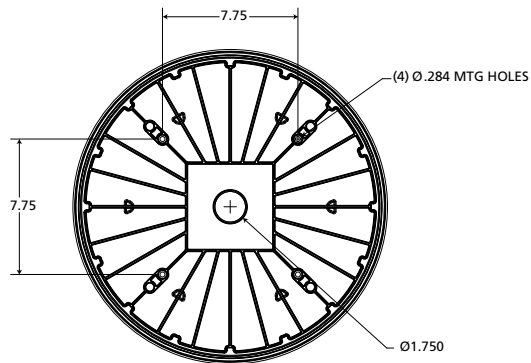
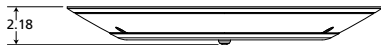
OPTIONAL LEL



18" FIXTURE



OPTIONAL LEL



www.kenall.com | P: 800-4-Kenall | F: 262-891-9700 | 10200 55th Street Kenosha, Wisconsin 53144, USA
 This product is able to comply with the latest domestic preference legislation, such as the Buy American Act (BAA), Trade Agreement Act (TAA), Build America, Buy America Act (BABA), and others. It may be covered by patents found at www.kenall.com/patents. Content of specification sheets is subject to change; please consult www.kenall.com for current product details. ©2025 Kenall Mfg. Co.

A brand of **Legrand**