

MEDMASTER® SAFESLOT™

Luminaires for Behavioral Health Applications

BHRS4 SERIES

PRODUCT FEATURES:

- » 4" recessed linear slot luminaire in multiple lengths
- » Single-function luminaire provides ambient lighting within the patient room
- » Symmetric and 10° asymmetric optical distribution options
- » One-piece doorframe with continuous lens retention and tamper-resistant fasteners
- » High-output, high-CRI LED lamp sources



PROJECT INFORMATION

Job Name _____

Fixture Type _____

Catalog Number _____

Approved by _____

SPECIFICATIONS

HOUSING: Extruded 6063-T5 aluminum construction with aluminum endcaps. Low-gloss anti-microbial white TGIC polyester powder-coat finish with five-stage pre-treatment applied to exterior, room-side components.

DOORFRAME: One-piece extruded 6063-T5 aluminum outer frame with low-gloss anti-microbial white TGIC polyester powder-coat finish with five-stage pre-treatment. Inner aluminum extrusion continuously bonds lens to door. Closed-cell silicone gasketing throughout. Tamper-resistant T15 TORX fasteners secure doorframe to housing.

OPTIC: Symmetric (Lambertian) or 10° asymmetric distribution option. Diffused polycarbonate lens with 0.188" overall thickness.

LED MODULE: Serviceable mid-power LED array. Minimum 82 CRI standard (R9>20). See Ordering Information for available color temperature options.

DRIVER: 120-277VAC or 347VAC, 50/60Hz electrical input with serviceable constant-current driver (<20% THD, >0.90 PF). Minimum 85% driver efficiency. Standard 0-10V dimming with 1-100% range and dim-to-dark capabilities (non dim-to-dark with 347V); maximum 330 µA maximum source current. Optional eldoLED ECOdrive DALI drivers with 1-100% range and Lutron Hi-Lume 1% EcoSystem LED driver with Soft-on, Fade-to-Black dimming technology.

INSTALLATION: Suitable for Type-IC recessed ceiling installation into 9/16" and 15/16" lay-in and tegular grid ceilings, flanged drywall ceilings and trimless mud-in installations with 5/8" drywall. See Ordering Information for selection. Suitable for 0°C - 40°C ambient temperature environments.

PHOTOMETRICS: Photometry tested to the IESNA LM-79-08 standard by an ILAC/ISO17025 accredited laboratory. For detailed photometric information, please visit www.kenall.com.

WARRANTY: Limited five (5) year warranty.

LISTINGS: Luminaire is certified to UL standards by Intertek Testing Laboratories for Type-IC and Wet Location installations. IP64 rating per IEC60598. NSF2 Splash/Non-Food Zone rated. Standard CCEA compliance.



ORDERING INFORMATION (Ex: BHRS4-48-FL-ASYM-750LF-35K9-DIM1-DV-LLE)

Model	Length	Ceiling Configuration	Optical Distribution	Lumen Output	Lamp Color	Driver Type	Voltage	Options	Accessories
BHRS4									
	Nominal Length			Lumen Output		Driver Type			
	24 2'			500LF 500 lumens/ft		DIM1 0-10V Dimming to 1%			
	36 3'			750LF 750 lumens/ft		DALI* DALI Dimming to 1% (n/a with 6' length and 1000LF in 8' length)			
	48 4'			1000LF 1000 lumens/ft		ECO1† Lutron EcoSystem Dimming to 1%			
	72 6'				Lamp Color	Input Voltage			
	96 8'				30K8 3000K / 80 CRI min.	DV 120-277VAC, 50/60Hz			
		Ceiling Configuration			30K9 3000K / 90 CRI min.	347 347VAC, 60Hz (n/a with 2' and 3' lengths)			
		G 9/16" and 15/16" Lay-In Grid			35K8 3500K / 80 CRI min.				
		TG 9/16" and 15/16" Tegular Grid			35K9 3500K / 90 CRI min.	Options			
		FL Flange			40K8 4000K / 80 CRI min.	LEL* Integral Emergency Battery Backup with Remote Test Button			
		TM Trimless Mud-In for 5/8" Drywall			40K9 4000K / 90 CRI min.	LVC* Low Voltage Controller (DIM1 only; click here for specifications)			
						LVCD* Low Voltage Controller with Dimming (DIM1 only; click here for specifications)			
						FS Fuse & Holder			
						Accessories			
						T15 T15 Tamper-Resistant Torx Bit			

* n/a with 347V

† Available with SYM optic only; n/a 347V input and 1000LF in 8' length

ACCESSORIES ORDERED SEPARATELY

MPWS Low Voltage Wall Switch ([Click here for Specifications](#))



www.kenall.com | P: 800-4-Kenall | F: 262-891-9701 | 10200 55th Street Kenosha, Wisconsin 53144, USA

This product complies with the Buy American Act: manufactured in the United States with more than 50% of the component cost of US origin. It may be covered by patents found at www.kenall.com/patents. Content of specification sheets is subject to change; please consult www.kenall.com for current product details. ©2019 Kenall Mfg. Co.

A brand of **legrand**

MEDMASTER® SAFESLOT™

Luminaires for Behavioral Health Applications

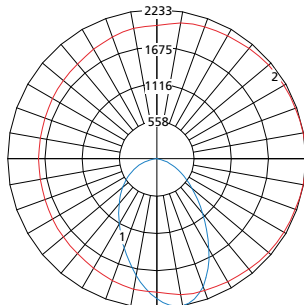
BHRS4 SERIES

PERFORMANCE

Distribution Type	Nominal Lumen Output	Initial Delivered Lumens per Foot, by Lamp Color (lm/ft)						Efficacy (lm/W)	Unit Input Power (W/ft)	Estd. L70 LED Life (Hrs)
		30K8	30K9	35K8	35K9	40K8	40K9			
ASYM	500LF	518	425	530	435	524	446	59 - 73	7	85,000
	750LF	765	628	783	643	774	659	55 - 69	11	85,000
	1000LF	992	814	1,015	834	1,004	854	52 - 65	16	85,000
SYM	500LF	477	412	492	422	508	433	68 - 84	6	85,000
	750LF	719	621	741	636	766	652	66 - 81	9	85,000
	1000LF	947	818	976	838	1,009	859	64 - 79	13	85,000

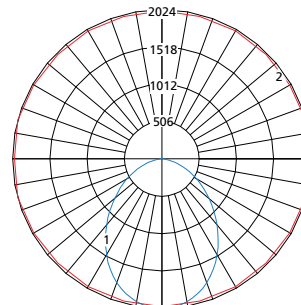
Nominal Lumen Output values based on 40K8 lamp color. Information subject to change without notice. Visit www.kenall.com for IES files and additional information.

Model: BHRS4-48-yy-ASYM-1000LF-40K8-DIM1-zzz



Maximum Candela = 2233 Located At Horizontal Angle = 0, Vertical Angle = 10
 1 - Vertical Plane Through Horizontal Angles (0-180) (Through Max. Cd.)
 2 - Horizontal Cone Through Vertical Angle (10) (Through Max. Cd.)

Model: BHRS4-48-yy-SYM-1000LF-40K8-DIM1-zzz



Maximum Candela = 2024 Located At Horizontal Angle = 15, Vertical Angle = 2.5
 1 - Vertical Plane Through Horizontal Angles (15-195) (Through Max. Cd.)
 2 - Horizontal Cone Through Vertical Angle (2.5) (Through Max. Cd.)



www.kenall.com | P: 800-4-Kenall | F: 262-891-9701 | 10200 55th Street Kenosha, Wisconsin 53144, USA

This product complies with the Buy American Act: manufactured in the United States with more than 50% of the component cost of US origin. It may be covered by patents found at www.kenall.com/patents. Content of specification sheets is subject to change; please consult www.kenall.com for current product details. ©2019 Kenall Mfg. Co.

A brand of Legrand

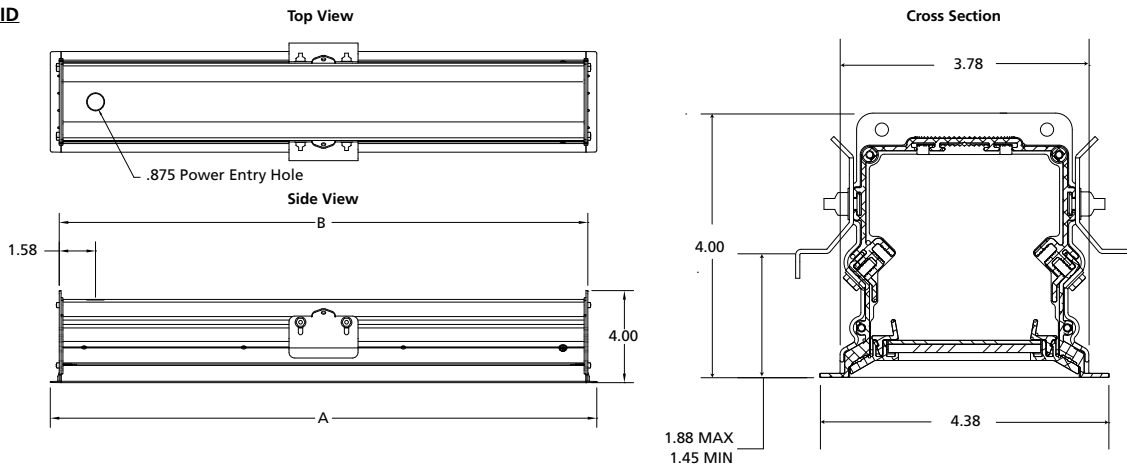
MEDMASTER® SAFESLOT™

Luminaires for Behavioral Health Applications

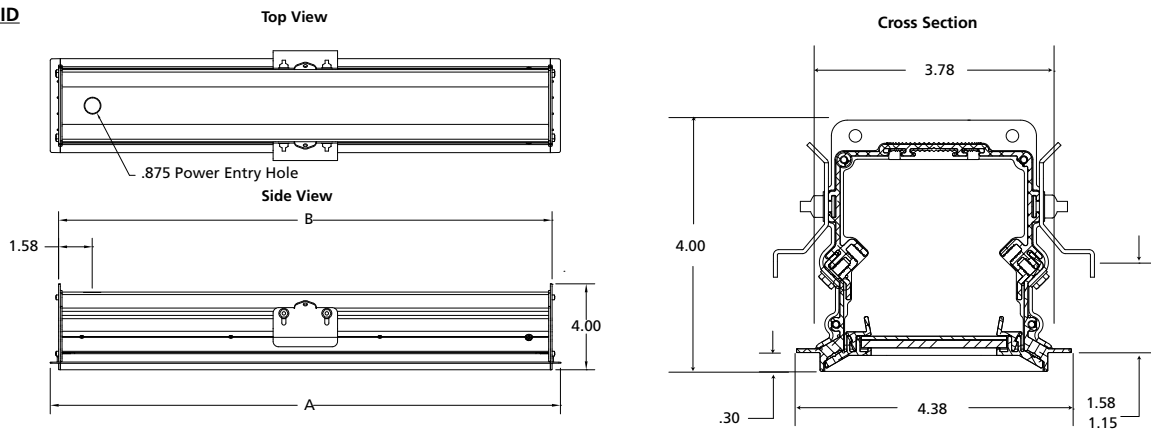
BHRS4 SERIES

DIMENSIONAL DATA

LAY-IN GRID



TEGULAR GRID



Nominal Length	Ceiling Configuration	A	B
24	LAY-IN GRID	23.75"	22.97"
	TEGULAR	23.75"	22.97"
36	LAY-IN GRID	35.75"	34.97"
	TEGULAR	35.75"	34.97"
48	LAY-IN GRID	47.75"	46.97"
	TEGULAR	47.75"	46.97"
72	LAY-IN GRID	71.75"	70.97"
	TEGULAR	71.75"	70.97"
96	LAY-IN GRID	95.75"	94.97"
	TEGULAR	95.75"	94.97"



www.kenall.com | P: 800-4-Kenall | F: 262-891-9701 | 10200 55th Street Kenosha, Wisconsin 53144, USA

This product complies with the Buy American Act: manufactured in the United States with more than 50% of the component cost of US origin. It may be covered by patents found at www.kenall.com/patents. Content of specification sheets is subject to change; please consult www.kenall.com for current product details. ©2019 Kenall Mfg. Co.

A brand of **legrand**

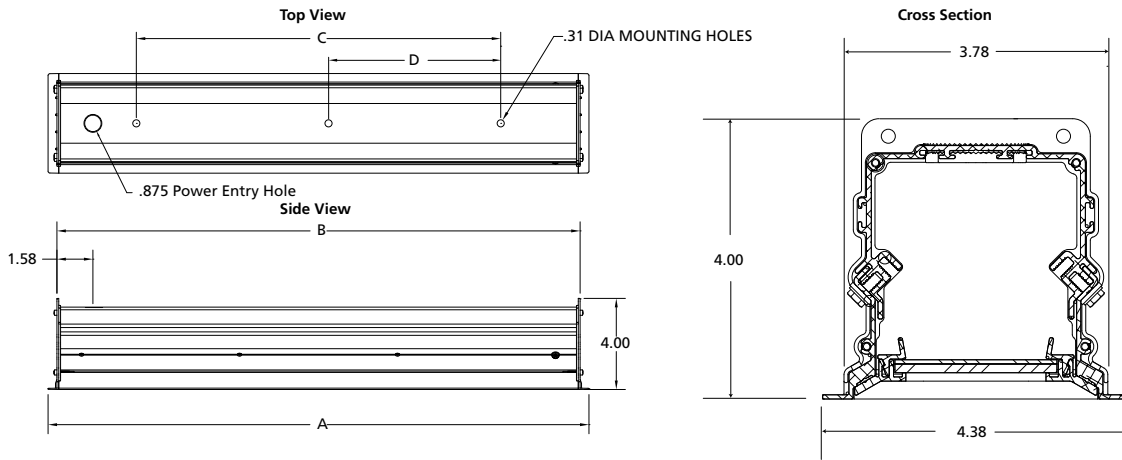
MEDMASTER® SAFESLOT™

Luminaires for Behavioral Health Applications

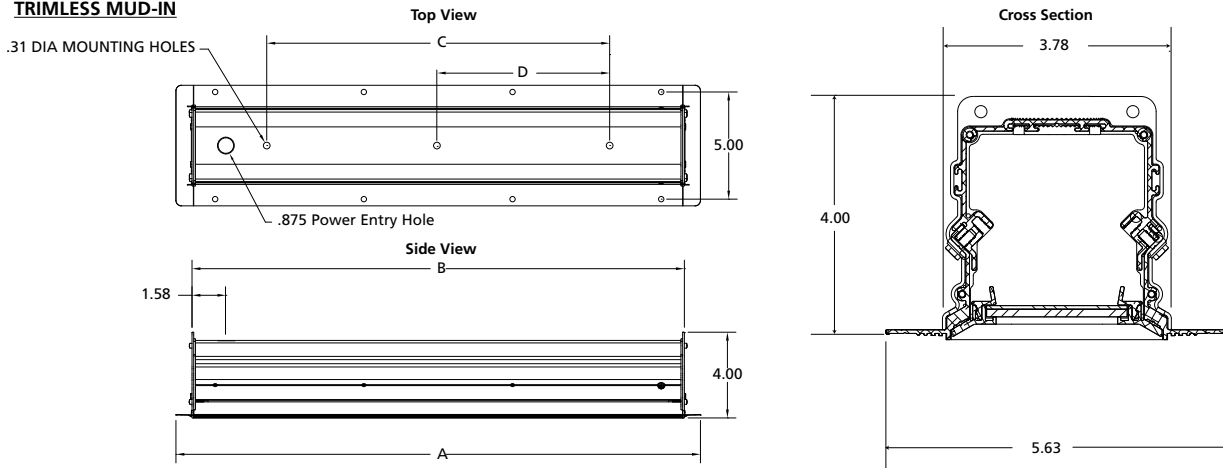
BHRS4 SERIES

DIMENSIONAL DATA

FLANGE



TRIMLESS MUD-IN



Nominal Length	Ceiling Configuration	A	B	C	D	Ceiling Cut-Out
24	FLANGE	23.75"	22.97"	16.00"	----	3.875" × 23.25"
	TRIMLESS	24.47"	22.97"	16.00"	----	
36	FLANGE	35.75"	34.97"	28.00"	----	3.875" × 35.25"
	TRIMLESS	36.47"	34.97"	28.00"	----	
48	FLANGE	47.75"	46.97"	40.00"	----	3.875" × 47.25"
	TRIMLESS	48.47"	46.97"	40.00"	----	
72	FLANGE	71.75"	70.97"	64.00"	32.00"	3.875" × 71.25"
	TRIMLESS	72.47"	70.97"	64.00"	32.00"	
96	FLANGE	95.75"	94.97"	88.00"	44.00"	3.875" × 95.25"
	TRIMLESS	96.47"	94.97"	88.00"	44.00"	



www.kenall.com | P: 800-4-Kenall | F: 262-891-9701 | 10200 55th Street Kenosha, Wisconsin 53144, USA

This product complies with the Buy American Act: manufactured in the United States with more than 50% of the component cost of US origin. It may be covered by patents found at www.kenall.com/patents. Content of specification sheets is subject to change; please consult www.kenall.com for current product details. ©2019 Kenall Mfg. Co.

A brand of **legrand**