

# MEDMASTER® SAFESLOT™

## Luminaires for Behavioral Health Applications

### BHRS4 SERIES – Tunable White LED

#### PRODUCT FEATURES:

- » 4" recessed linear slot luminaire in multiple lengths
- » Single-function luminaire provides ambient lighting within the patient room
- » High-output, high-CRI LED lamp source with 2700K-6500K white tuning capability
- » Symmetric optical distribution type
- » One-piece doorframe with continuous lens retention and tamper-resistant fasteners



#### PROJECT INFORMATION

Job Name \_\_\_\_\_

Fixture Type \_\_\_\_\_

Catalog Number \_\_\_\_\_

Approved by \_\_\_\_\_

#### SPECIFICATIONS

**HOUSING:** Extruded 6063-T5 aluminum construction with aluminum endcaps. Low-gloss anti-microbial white TGIC polyester powder-coat finish with five-stage pre-treatment applied to exterior, room-side components.

**DOORFRAME:** One-piece extruded 6063-T5 aluminum outer frame with low-gloss anti-microbial white TGIC polyester powder-coat finish with five-stage pre-treatment. Inner aluminum extrusion continuously bonds lens to door. Closed-cell silicone gasketing throughout. Tamper-resistant T15 TORX fasteners secure doorframe to housing.

**OPTIC:** Symmetric (Lambertian) distribution. Diffused polycarbonate lens with 0.188" overall thickness.

**LED MODULE:** Serviceable tunable-white, mid-power LED array provides 2700K through 6500K CCT range with a two-point path. Minimum 82 CRI standard (R9 >20) with optional minimum 90 CRI (R9 >50).

**DRIVER:** 120-277VAC, 50/60Hz electrical input (PF ≥ 0.9, THD < 20%). Minimum 85% electrical efficiency. Serviceable, constant-current multi-channel programmable driver with dual analog (0-10V) control inputs for intensity and CCT. Linear intensity and CCT adjustment profiles with 1-100% range and dim-to-dark capabilities on intensity. Optional DALI (Type 8) driver with 1-100% range and dim-to-dark intensity dimming with linear intensity and CCT adjustment profiles.

**INSTALLATION:** Suitable for Insulation Contact (IC) recessed ceiling installation into 9/16" and 15/16" lay-in and tegular grid ceilings, flanged drywall ceilings and trimless mud-in installations with 5/8" drywall. See Ordering Information for selection. Suitable for 0°C - 40°C ambient temperature environments.

**PHOTOMETRICS:** Photometry tested to the IESNA LM-79-08 standard by an ILAC/ISO17025 accredited laboratory. For detailed photometric information, please visit [www.kenall.com](http://www.kenall.com).

**WARRANTY:** Limited five (5) year warranty.

**LISTINGS:** Luminaire is certified to UL standards by Intertek Testing Laboratories for Type-IC and Wet Location installations. IP64 rating per IEC60598. NSF2 Splash/Non-Food Zone rated. Standard CCEA compliance.



#### ORDERING INFORMATION (Ex: BHRS4-48-FL-SYM-1000LFT-27/65K9-ATW-DV-LVCD)

Model	Length	Ceiling Configuration	Optical Distribution	Lumen Output	Lamp Color	Driver Type	Voltage	Options	Accessories
<b>BHRS4</b>			<b>SYM</b>				<b>DV</b>		
<b>Nominal Length</b>			<b>Optical Distribution</b>			<b>Driver Type</b>			
24	2'		<b>SYM</b>	Symmetric	<b>ATW</b> Analog (0-10V) Dimming Tunable White Driver				
48	4'				<b>DTW</b> DALI Tunable White Driver				
96	8'				<b>DMX</b> DMX Tunable White Driver (Consult Factory)				
<b>Ceiling Configuration</b>			<b>Lumen Output</b>			<b>Input Voltage</b>			
<b>G</b>	9/16" and 15/16" Lay-In Grid		<b>500LFT</b>	500 lumens/ft	<b>DV</b> 120-277VAC, 50/60Hz				
<b>TG</b>	9/16" and 15/16" Tegular Grid		<b>750LFT</b>	750 lumens/ft					
<b>FL</b>	Flange		<b>1000LFT</b>	1000 lumens/ft					
<b>TM</b>	Trimless Mud-In for 5/8" Drywall		<b>Lamp Color</b>			<b>Options</b>			
			<b>27/65K8</b> 2700K-6500K CCT Range (82 CRI min.)			<b>LEL</b> Integral Emergency Battery Backup with Remote Test Button			
			<b>27/65K9</b> 2700K-6500K CCT Range (92 CRI min.)			<b>LVC▲</b> Low Voltage Controller (click <a href="#">here</a> for specifications)			
						<b>LVCD▲</b> Low Voltage Controller with Dimming (click <a href="#">here</a> for specifications)			
						<b>FS</b> Fuse & Holder			
						<b>Accessories</b>			
						<b>T15</b> T15 Tamper-Resistant Torx Bit			

▲ Low voltage controller wired to provide ON/OFF control (and dimming control when ordered with LVCD) via compatible wall/bed controls. CCT adjustment controlled separately. ATW Driver Type only.

#### ACCESSORIES ORDERED SEPARATELY

**MPWS\*** Low Voltage Wall Switch (Click [here](#) for Specifications)

\* Not suitable for placement into high-risk environments



www.kenall.com | P: 800-4-Kenall | F: 262-891-9701 | 10200 55th Street Kenosha, Wisconsin 53144, USA

This product complies with the Buy American Act: manufactured in the United States with more than 50% of the component cost of US origin. It may be covered by patents found at [www.kenall.com/patents](http://www.kenall.com/patents). Content of specification sheets is subject to change; please consult [www.kenall.com](http://www.kenall.com) for current product details. ©2019 Kenall Mfg. Co.

A brand of **legrand**

# MEDMASTER® SAFESLOT™

## Luminaires for Behavioral Health Applications

### BHRS4 SERIES – Tunable White LED

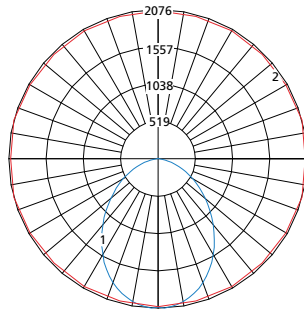
#### PERFORMANCE

Delivered Lumens at 4000K Tuning, by Lamp Color (lm/ft)

Distribution Type	Nominal Lumen Output	27/65K8	27/65K9	Efficacy (lm/W)	Unit Input Power (W/ft)	Estd. L70 LED Life (Hrs)
SYM	500LFT	559	451	64 - 80	7	80,000
	750LFT	780	629	64 - 80	10	80,000
	1000LFT	1,035	835	62 - 77	13	80,000

Nominal Lumen Output values based on 27/65K8 lamp color. Information subject to change without notice. Visit [www.kenall.com](http://www.kenall.com) for IES files and additional information.

Model: BHRS4-48-yy-SYM-1000LFT-27-65K8-DIM1-zzz



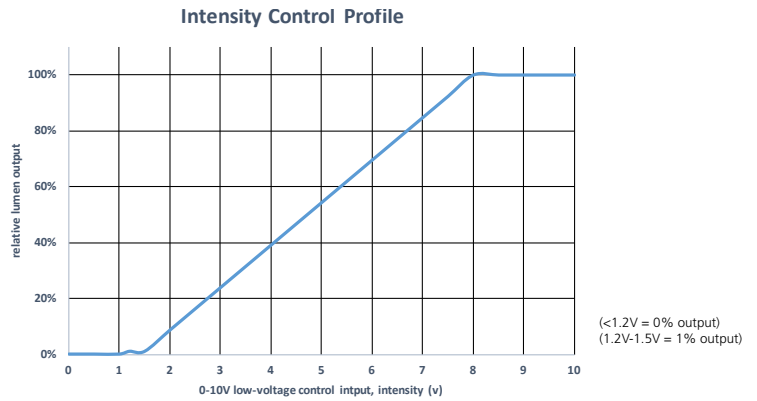
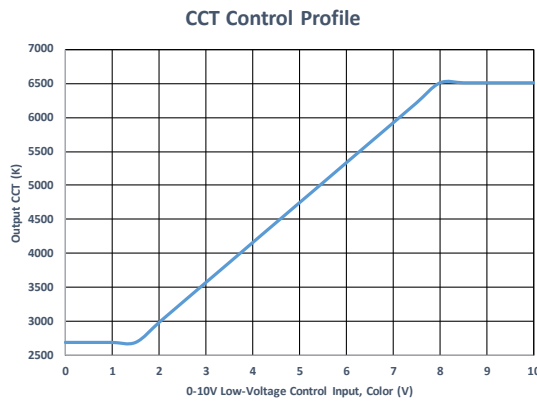
Maximum Candela = 2076 Located At Horizontal Angle = 15, Vertical Angle = 2.5

— 1 - Vertical Plane Through Horizontal Angles (15-195) (Through Max. Cd.)  
 — 2 - Horizontal Cone Through Vertical Angle (2.5) (Through Max. Cd.)

#### PERFORMANCE SCALING, BY LAMP COLOR

CCT (K)	27/65K8					27/65K9				
	LUMEN SCALE FACTOR	Ra	R9	Rf	Rg	LUMEN SCALE FACTOR	Ra	R9	Rf	Rg
2700	0.97	83	10	83	97	0.98	92	57	89	98
3000	0.98	84	15	83	98	0.99	94	70	91	99
3500	0.99	86	23	84	98	0.99	95	77	92	99
4000	1.00	86	26	84	98	1.00	96	83	92	99
4600	1.01	86	28	84	98	1.01	96	90	92	100
5000	1.01	86	25	83	98	1.03	96	96	91	101
5700	1.02	85	23	82	98	1.02	96	96	91	100
6500	1.04	84	16	82	96	1.02	96	96	90	100

#### CCT AND INTENSITY ADJUSTMENT PROFILE - ATW DRIVER TYPE



NOTE: The provided information is the typical expected performance of a single luminaire. Additional luminaires on the same 0-10V line may result in different control profiles. Fine tuning of system performance should be completed after installation is complete. To avoid CCT shift between luminaires, care should be taken to minimize voltage drop on the CCT Control line. It is recommended to limit the load on the CCT control circuit to twenty (20) luminaires or less.



[www.kenall.com](http://www.kenall.com) | P: 800-4-Kenall | F: 262-891-9701 | 10200 55th Street Kenosha, Wisconsin 53144, USA

This product complies with the Buy American Act: manufactured in the United States with more than 50% of the component cost of US origin. It may be covered by patents found at [www.kenall.com/patents](http://www.kenall.com/patents). Content of specification sheets is subject to change; please consult [www.kenall.com](http://www.kenall.com) for current product details. ©2019 Kenall Mfg. Co.

A brand of **legrand**

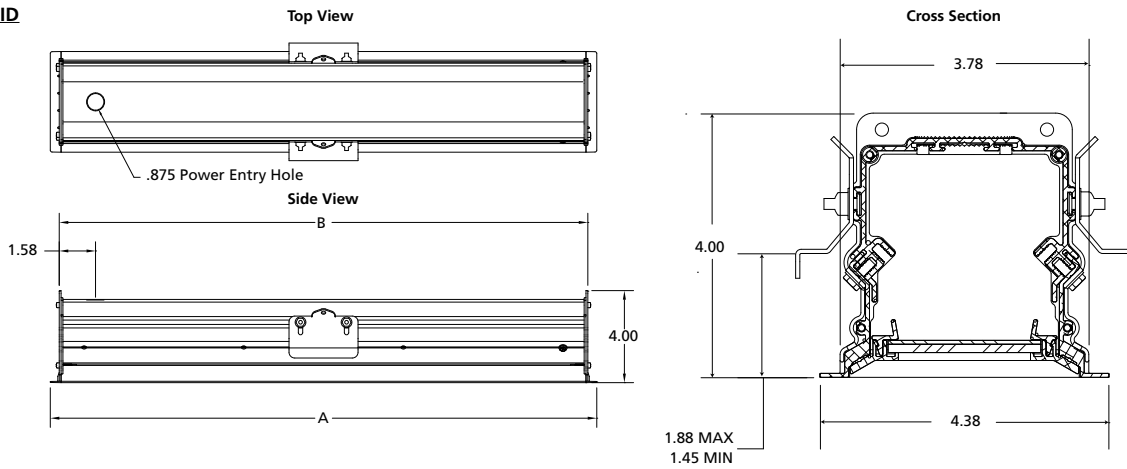
# MEDMASTER® SAFESLOT™

Luminaires for Behavioral Health Applications

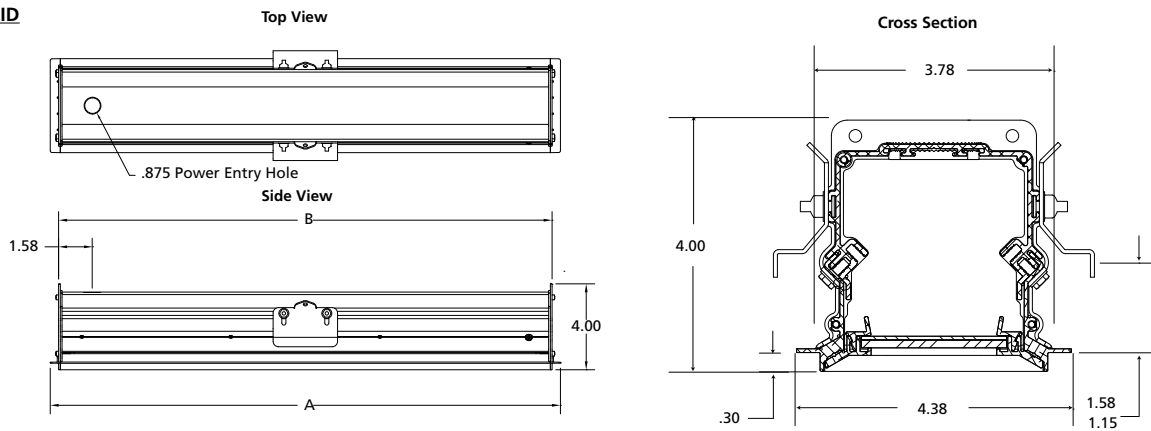
## BHRS4 SERIES – Tunable White LED

### DIMENSIONAL DATA

#### LAY-IN GRID



#### TEGULAR GRID



Nominal Length	Ceiling Configuration	A	B
24	LAY-IN GRID	23.75"	22.97"
	TEGULAR	23.75"	22.97"
48	LAY-IN GRID	47.75"	46.97"
	TEGULAR	47.75"	46.97"
96	LAY-IN GRID	95.75"	94.97"
	TEGULAR	95.75"	94.97"



www.kenall.com | P: 800-4-Kenall | F: 262-891-9701 | 10200 55th Street Kenosha, Wisconsin 53144, USA

This product complies with the Buy American Act: manufactured in the United States with more than 50% of the component cost of US origin. It may be covered by patents found at www.kenall.com/patents. Content of specification sheets is subject to change; please consult www.kenall.com for current product details. ©2019 Kenall Mfg. Co.

A brand of **legrand**

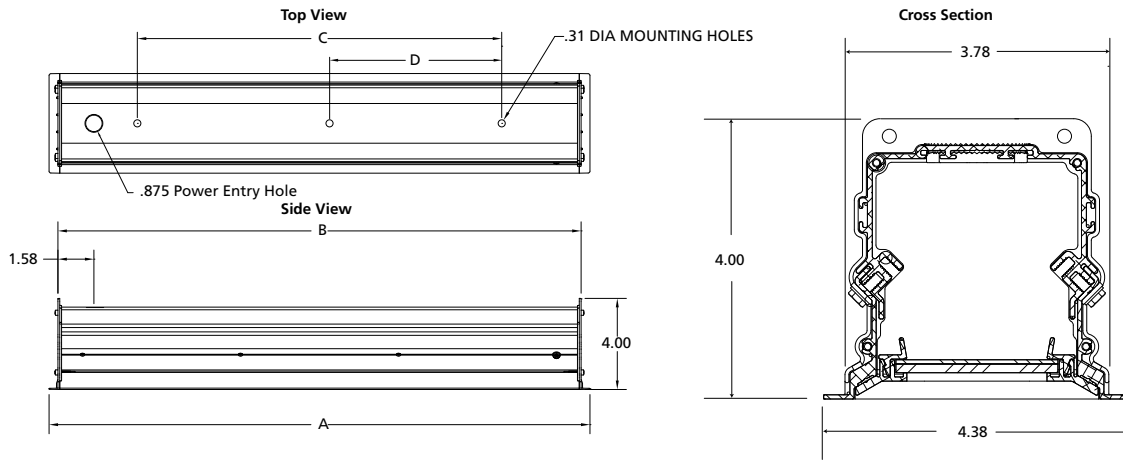
# MEDMASTER® SAFESLOT™

## Luminaires for Behavioral Health Applications

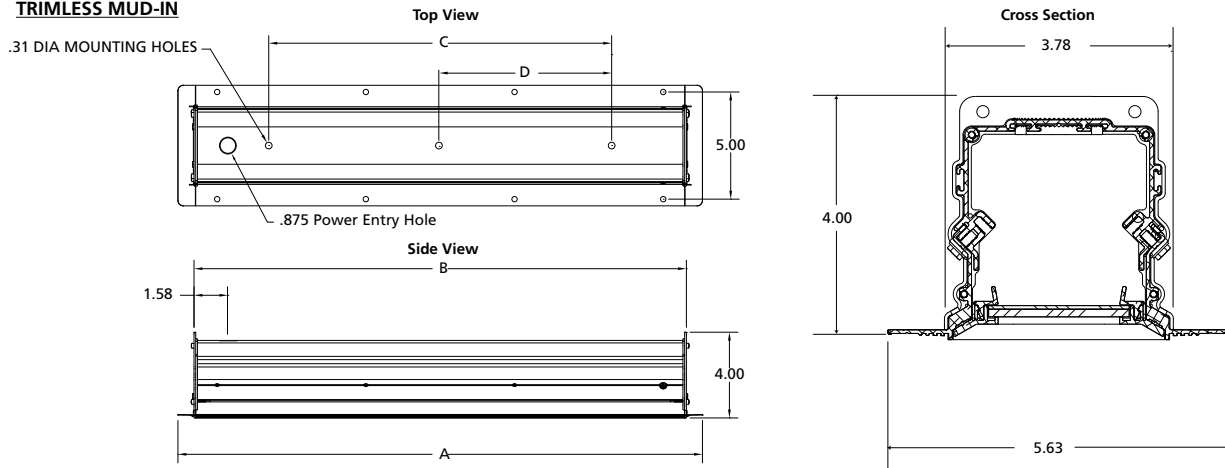
### BHRS4 SERIES – Tunable White LED

#### DIMENSIONAL DATA

##### FLANGE



##### TRIMLESS MUD-IN



Nominal Length	Ceiling Configuration	A	B	C	D	Ceiling Cut-Out
24	FLANGE	23.75"	22.97"	16.00"	----	3.875" x 23.25"
	TRIMLESS	24.47"	22.97"	16.00"	----	
48	FLANGE	47.75"	46.97"	40.00"	----	3.875" x 47.25"
	TRIMLESS	48.47"	46.97"	40.00"	----	
96	FLANGE	95.75"	94.97"	44.00"	22.00"	3.875" x 95.25"
	TRIMLESS	96.47"	94.97"	44.00"	22.00"	



www.kenall.com | P: 800-4-Kenall | F: 262-891-9701 | 10200 55th Street Kenosha, Wisconsin 53144, USA

This product complies with the Buy American Act: manufactured in the United States with more than 50% of the component cost of US origin. It may be covered by patents found at www.kenall.com/patents. Content of specification sheets is subject to change; please consult www.kenall.com for current product details. ©2019 Kenall Mfg. Co.

A brand of **legrand**