

MEDMASTER DOWNLIGHT

Luminaires for Behavioral Health Applications

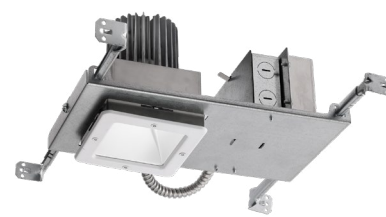
BHDL4 SERIES – TUNABLE WHITE LED

PRODUCT FEATURES:

- » 4" sealed, recessed downlight with flush lens trim
- » Round or square aperture
- » High-output, high CRI LED lamp sources with 2700K-6500K white tuning capability
- » Peace of Mind Guarantee® against breakage



Round



Square

SPECIFICATIONS

HEAT SINK: Die-cast aluminum with external radial fins for natural convection.

ROUGH-IN FRAME: 18-gauge die-formed, corrosion-resistant steel. Vertically adjustable collar accommodates ceiling thicknesses up to 1.5", adjustable post-installation. Adjustable mounting bars for installation with wood and steel frame joists and T-grid ceiling systems spaced up to 24" on center. Quick-access junction box accessible post-installation from above and below ceiling. Includes (5) 1/2" knock-outs to allow straight conduit runs.

TRIM/HOUSING SECTION: IP-rated housing section incorporates the heat sink, LED module, optics and lower trim. Flush lens trim secured with three (Round) or four (Square) Torx® tamper-resistant, captive fasteners. Closed-cell gasketing at ceiling flange. Anti-microbial finish standard on all exposed painted surfaces. See Trim Ordering Information for available options.

OPTICAL: Round or Square aperture. Diffused tempered-glass upper lens. Flush lens trim options include a clear impact-resistant acrylic lens continuously sealed to the trim ring. Available with various reflector finishes. See Ordering Information for available options.

LED MODULE: Tunable-white LED array provides 2700K through 6500K CCT range with a two-point path. 3-step MacAdam variation allowance on each CCT. Minimum 82 CRI (R9 >0).

DRIVER: 120-277VAC, 50/60Hz electrical input (PF ≥ 0.9, THD < 20%). Minimum 85% electrical efficiency. Serviceable, constant-current multi-channel programmable driver with dual analog (0-10V) control inputs for intensity and CCT. Optional DALI (Type 8) driver. Logarithmic intensity profile with 0.1-100% range, with dim-to-dark capabilities. Linear profile on CCT adjustment. Refer to charts on page 2 for further details.

PHOTOMETRICS: Photometry tested to the IESNA LM-79-08 standard by an ILAC/ISO17025 accredited laboratory. For photometric information, go to www.kenall.com.

WARRANTY: Limited five (5) year LED warranty. [Peace of Mind Guarantee against breakage.](#)

LISTINGS: Luminaire is certified to UL standards by Intertek Testing Laboratory for non-IC and Wet Location installations. IP65 rating per IEC60598. NSF2 Splash/Non-Food Zone. Optional CCEA compliance.



ORDERING INFORMATION (EX: BHDL4-FF-5BR-28T-27/65K8-CSS-G-RIG4-277-ATW-LEL)

TRIM							ROUGH-IN			
Model	Trim Style	Trim Finish	Lamp Power	Lamp Color	Reflector Finish	Flush Lens Type	Rough-In	Input Voltage	Driver Type	Options
	FF		28T	27/65K8						
Model				Lamp Color			Rough-In			
BHDL4	4" Medical - Round			27/65K8	2700-6500K CCT Range (82 CRI min)		RIG4	4" Behavioral Rough-In - Round		
BHDL4S	4" Medical - Square						RIG4S	4" Behavioral Rough-In - Square		
Trim Style				Reflector Finish			Input Voltage			
FF	Flush Lens (With Fasteners)			FW	Flat White		120	120 VAC, 50/60Hz		
				CD	Clear Diffuse		277	277 VAC, 50/60Hz		
Trim Finish				CS	Clear Specular (square only)				Driver Type	
2FW	Cold-Rolled Steel in Flat White			CSS	Clear Semi-Specular (round only)				ATW	Analog (0-10V) Dimming Tunable White Driver
5BR	Type 304 Stainless Steel with 4B Brushed Finish								DTW	DALI Tunable White Driver
5FW	Type 304 Stainless Steel in Flat White			Flush Lens Type (n/a Regressed Trim Style)					DMX	DMX Tunable White Driver (Consult Factory)
				G	1/8" Clear Polycarbonate				Options	
Lamp Power									LEL	Emergency Battery Backup with Remote Test Switch
28T	28W Tunable White LED								FS	Fuse & Holder
									CCEA	CCEA Approved



MEDMASTER DOWNLIGHT

Luminaires for Behavioral Health Applications

BHDL4 SERIES – TUNABLE WHITE LED

PERFORMANCE

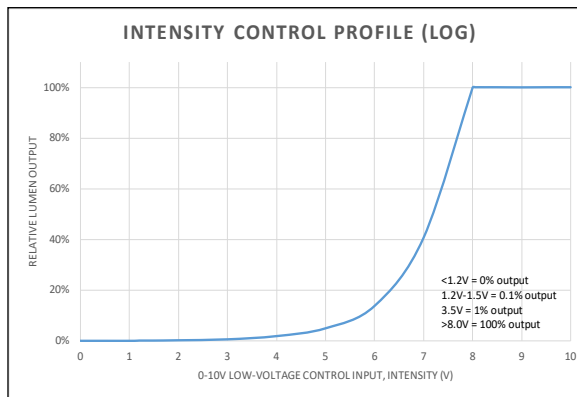
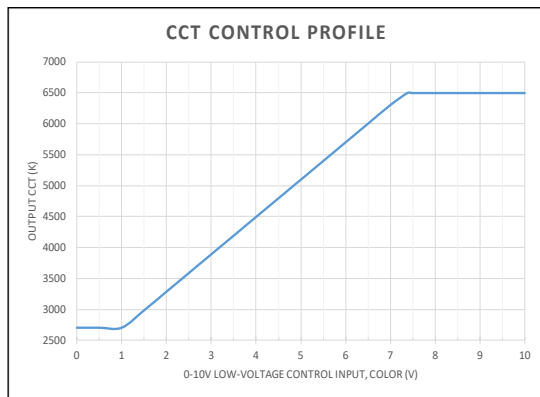
Optic				Lamp Power	Delivered Performance at 4000K			TM-21 Reported L90 (hrs)	TM-21 Reported L70 (hrs)
Aperture	Trim Style	Reflector Finish	Lens Type		Lumen Output (lm)	Efficacy (lm/W)	Input Power (W)		
Round	FF	CD	G	28T	2,454	80	31	>55,000	>55,000
		CSS			2,487	81	31	>55,000	>55,000
		FW			2,330	76	31	>55,000	>55,000
Square	FF	CD	G	28T	2,097	69	31	>55,000	>55,000
		CS			2,453	80	31	>55,000	>55,000
		FW			2,155	70	31	>55,000	>55,000

Subject to change without notice. Visit www.kenall.com for ies files and additional information.

PERFORMANCE SCALING, BY LAMP COLOR

CCT (K)	27/65K8				
	LUMEN SCALE FACTOR	Ra	R9	Rf	Rg
2700	0.92	83	10	83	97
3000	0.95	84	15	83	98
3500	0.99	86	23	84	98
4000	1.00	86	26	84	98
4600	1.00	86	28	84	98
5000	1.01	86	25	83	98
5700	0.99	85	23	82	98
6500	0.99	84	16	82	96

CCT AND INTENSITY ADJUSTMENT PROFILE - ATW DRIVER TYPE



NOTE: The provided information is the typical expected performance of a single luminaire. Additional luminaires on the same 0-10V line may result in different control profiles. Fine tuning of system performance should be completed after installation is complete. To avoid CCT shift between luminaires, care should be taken to minimize voltage drop on the CCT Control line. It is recommended to limit the load on the CCT control circuit to twenty (20) luminaires or less.



www.kenall.com | P: 800-4-Kenall | F: 262-891-9700 | 10200 55th Street Kenosha, Wisconsin 53144, USA
 This product can comply with the latest domestic preference legislation, such as the Buy American Act (BAA), Trade Agreement Act (TAA), Build America, Buy America Act (BABA), and others. It may be covered by patents found at www.kenall.com/patents. Content of specification sheets is subject to change; please consult www.kenall.com for current product details. ©2024 Kenall Mfg. Co.

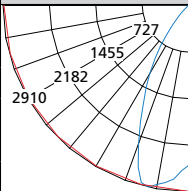
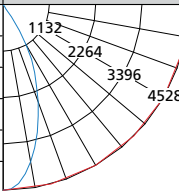
A brand of Legrand

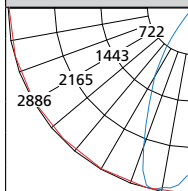
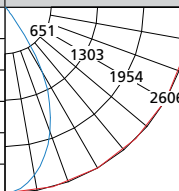
MEDMASTER DOWNLIGHT

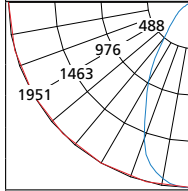
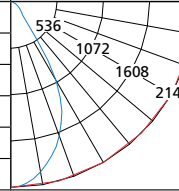
Luminaires for Behavioral Health Applications

BHDL4 SERIES – TUNABLE WHITE LED

PERFORMANCE

Round Aperture Candela Curve	BHDL4-FF-rrrr-28T-27/65K8-CSS-G		Distance to illuminated plane (ft)	BHDL4S-FF-rrrr-28T-27/65K8-CS-G		Square Aperture Candela Curve
	Initial center beam foot-candles	Beam diameter (ft)		Initial center beam foot-candles	Beam diameter (ft)	
	99.9	4.6	5'	181.1	4.0	
	69.4	5.5	6'	125.8	4.8	
	51.0	6.4	7'	92.4	5.6	
	39.0	7.3	8'	70.8	6.4	
	30.8	8.2	9'	55.9	7.2	
	25.0	9.1	10'	45.3	8.0	
Spacing Criteria: 0.93 Beam Angle: 49	Beam diameter is where foot-candles drop to 50% of maximum					Spacing Criteria: 0.68 Beam Angle: 44

Round Aperture Candela Curve	BHDL4-FF-rrrr-28T-27/65K8-CD-G		Distance to illuminated plane (ft)	BHDL4S-FF-rrrr-28T-27/65K8-CD-G		Square Aperture Candela Curve
	Initial center beam foot-candles	Beam diameter (ft)		Initial center beam foot-candles	Beam diameter (ft)	
	101.5	4.6	5'	104.2	5.2	
	70.5	5.5	6'	72.4	6.3	
	51.8	6.4	7'	53.2	7.3	
	39.7	7.3	8'	40.7	8.4	
	31.3	8.2	9'	32.2	9.4	
	25.4	9.1	10'	26.1	10.4	
Spacing Criteria: 0.92 Beam Angle: 49	Beam diameter is where foot-candles drop to 50% of maximum					Spacing Criteria: 0.68 Beam Angle: 44

Round Aperture Candela Curve	BHDL4-FF-rrrr-28T-27/65K8-FW-G		Distance to illuminated plane (ft)	BHDL4S-FF-rrrr-28T-27/65K8-FW-G		Square Aperture Candela Curve
	Initial center beam foot-candles	Beam diameter (ft)		Initial center beam foot-candles	Beam diameter (ft)	
	78.1	5.7	5'	85.8	5.7	
	54.2	6.8	6'	59.6	6.9	
	39.8	7.9	7'	43.8	8	
	30.5	9.1	8'	33.5	9.2	
	24.1	10.2	9'	26.5	10.3	
	19.5	11.3	10'	21.4	11.5	
Spacing Criteria: 0.88 Beam Angle: 59	Beam diameter is where foot-candles drop to 50% of maximum					Spacing Criteria: 0.92 Beam Angle: 60



www.kenall.com | P: 800-4-Kenall | F: 262-891-9700 | 10200 55th Street Kenosha, Wisconsin 53144, USA
 This product can comply with the latest domestic preference legislation, such as the Buy American Act (BAA), Trade Agreement Act (TAA), Build America, Buy America Act (BABA), and others. It may be covered by patents found at www.kenall.com/patents. Content of specification sheets is subject to change; please consult www.kenall.com for current product details. ©2024 Kenall Mfg. Co.

A brand of Legrand

MEDMASTER DOWNLIGHT

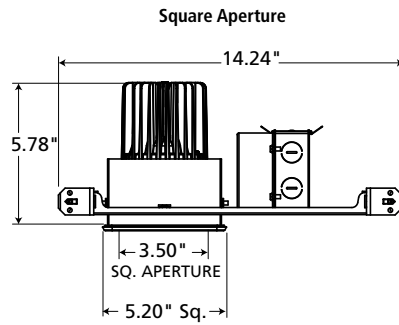
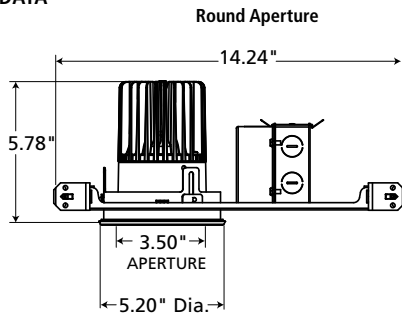
Luminaires for Behavioral Health Applications

BHDL4 SERIES – TUNABLE WHITE LED

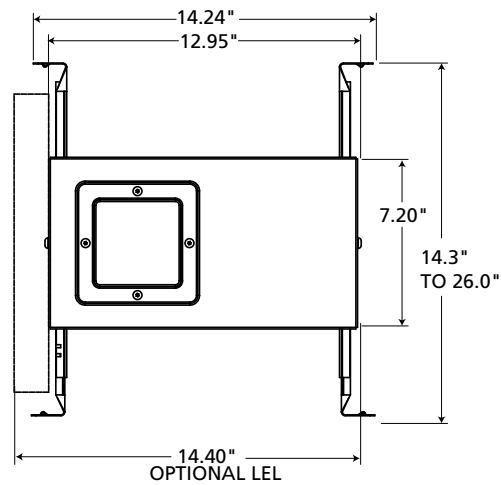
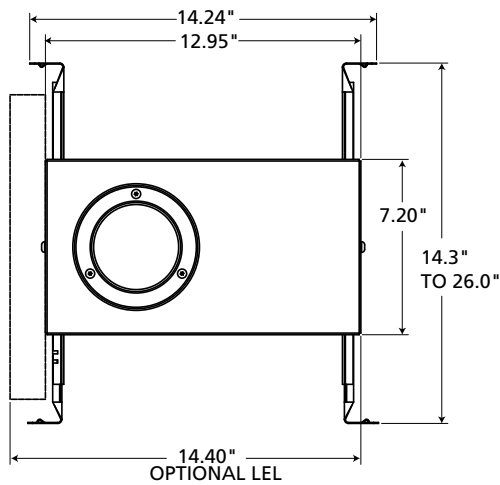
PERFORMANCE

DIMENSIONAL DATA

CROSS SECTION



BOTTOM VIEW



RECOMMENDED CEILING CUTOUT: 4.875" DIA.

RECOMMENDED CEILING CUTOUT: 4.875" X 4.875"

