

# MEDMASTER® SAFESLOT™

Multi-Function Luminaires for Behavioral Health Applications

## BHAERS4 SERIES

### PRODUCT FEATURES:

- » 4" x 48" recessed linear slot luminaire for paired, over-bed lighting
- » Provides ambient, exam and reading modes within a seamless design
- » High-output, high-CRI LED lamp sources
- » One-piece doorframe with continuous lens retention and tamper-resistant fasteners
- » Standard low-voltage controller
- » Standard IP64 and NSF2 ratings for cleanability and ingress-protection



### PROJECT INFORMATION

Job Name \_\_\_\_\_

Fixture Type \_\_\_\_\_

Catalog Number \_\_\_\_\_

Approved by \_\_\_\_\_

### SPECIFICATIONS

**HOUSING:** Extruded 6063-T5 aluminum construction with aluminum endcaps. Low-gloss anti-microbial white TGIC polyester powder coat finish with five-stage pre-treatment applied to exterior, room-side components.

**DOORFRAME:** One-piece extruded 6063-T5 aluminum outer frame with low-gloss anti-microbial white TGIC polyester powder-coat finish with five-stage pre-treatment. Inner aluminum extrusion continuously bonds lens to door. Closed-cell silicone gasketing throughout. Tamper-resistant T15 TORX fasteners secure doorframe to housing.

**OPTIC:** Symmetric (Lambertian) or 7.5° asymmetric distribution option. Diffused polycarbonate outer lens with 0.188" overall thickness. Must specify left- and right-throw for offset paired mounting over bed.

**LED MODULE:** Serviceable mid-power LED array. See Ordering Information for available color temperature options. Minimum 82 CRI standard (R9>20) with 90 CRI optional.

**DRIVER:** 120-277VAC, 50/60Hz electrical input with serviceable constant-current drivers (<20% THD, >0.90 PF). See 'CONTROL' for dimming information. Minimum 85% driver efficiency.

**CONTROL:** Integrated low-voltage controller with dimming (MLVCD) for pillow-switch/wall-control of ambient, exam and reading modes. "Ambient" mode operates the primary light engine at 50% output. A sustained button press on the wall/bed controller sweeps light intensity (dimming) from 50% down to 0% (bi-directionally). "Exam" mode operates the primary light engine at 100% output. Dimming is not possible in "Exam mode." "Reading" mode operates an integral secondary light engine positioned nearest the headwall. A sequential button press on the wall/bed controller changes intensity (100%/66%/33%) bi-directionally.

**INSTALLATION:** Suitable for Type-IC recessed ceiling installation into 9/16" and 15/16" lay-in and tegular grid ceilings, flanged drywall ceilings and trimless mud-in installations with 5/8" drywall. See Ordering Information for Ceiling Type selection. Suitable for 0°C - 40°C ambient temperature environments.

**PHOTOMETRICS:** Photometry tested to the IESNA LM-79-08 standard by an ILAC/ISO17025 accredited laboratory. For detailed photometric information, please visit [www.kenall.com](http://www.kenall.com).

**WARRANTY:** Limited five (5) year warranty.

**LISTINGS:** Luminaire is certified to UL standards by Intertek Testing Laboratories for Type-IC and Wet Location installations. IP64 rating per IEC60598. NSF2 Splash/Non-Food Zone rated. Standard CCEA compliance.



### ORDERING INFORMATION (Ex: BHAERS4-48-TG-RASYM-20L/50L/8L-35K8-DIM1-DV-MLVCD-LEL)

| Model                        | Length                           | Ceiling Configuration                      | Optical Distribution | Lamp Power  | Lamp Color | Driver Type | Voltage   | Voltage      | Options | Accessories |
|------------------------------|----------------------------------|--|----------------------|---|------------|-------------|-----------|--------------|---------|-------------|
| <b>BHAERS4</b>               | <b>48</b>                        |  |                      |   |            | <b>DIM1</b> | <b>DV</b> | <b>MLVCD</b> |         |             |
| <b>Nominal Length</b>        |                                  | <b>Lamp Power</b>                          |                      | <b>Driver Type</b>  |            |             |           |              |         |             |
| 48 4'                        |                                  | 20L/50L 20W Ambient/50W Exam               |                      | DIM1 0-10V Dimming to 1% (see Control description for detail) |            |             |           |              |         |             |
|                              |                                  | 20L/50L/8L 20W Ambient/50W Exam/8W Reading |                      | <b>Input Voltage</b>  |            |             |           |              |         |             |
| <b>Ceiling Configuration</b> |                                  | <b>Lamp Color</b>                          |                      | DV 120-277VAC, 50/60Hz  |            |             |           |              |         |             |
| G                            | 9/16" and 15/16" Lay-In Grid     | 30K8                                       | 3000K / 80 CRI min.  | <b>Controls</b>   |            |             |           |              |         |             |
| TG                           | 9/16" and 15/16" Tegular Grid    | 30K9                                       | 3000K / 90 CRI min.  | MLVCD Integrated Low Voltage Controller with Dimming          |            |             |           |              |         |             |
| FL                           | Flange                           | 35K8                                       | 3500K / 80 CRI min.  | <b>Options</b>  |            |             |           |              |         |             |
| TM                           | Trimless Mud-In for 5/8" Drywall | 35K9                                       | 3500K / 90 CRI min.  | LEL Integral Emergency Battery Backup with Remote Test Button |            |             |           |              |         |             |
| <b>Optical Distribution</b>  |                                  | 40K8                                       | 4000K / 80 CRI min.  | FS Fuse & Holder  |            |             |           |              |         |             |
| RASYM                        | Asymmetric, Right Throw          | 40K9                                       | 4000K / 90 CRI min.  | <b>Accessories</b>  |            |             |           |              |         |             |
| LASYM                        | Asymmetric, Left Throw           |  |                      | T15 T15 Tamper-Resistant Torx Bit                             |            |             |           |              |         |             |

#### ACCESSORIES ORDERED SEPARATELY

**MPWS** Low Voltage Wall Switch (Click [here](#) for Specifications)



www.kenall.com | P: 800-4-Kenall | F: 262-891-9701 | 10200 55th Street Kenosha, Wisconsin 53144, USA

A brand of **legrand**

This product complies with the Buy American Act: manufactured in the United States with more than 50% of the component cost of US origin. It may be covered by patents found at [www.kenall.com/patents](http://www.kenall.com/patents). Content of specification sheets is subject to change; please consult [www.kenall.com](http://www.kenall.com) for current product details. ©2019 Kenall Mfg. Co.

BHAERS4-012820

Multi-Function Luminaires for Behavioral Health Applications

**BHAERS4 SERIES**

**PERFORMANCE**

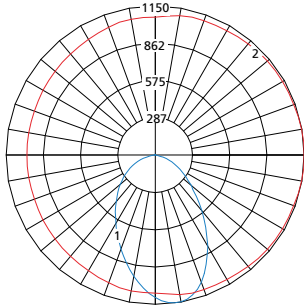
| Function | Lamp Power | Initial Delivered Lumens, by Lamp Color (lm) |       |       |       |       |       | Efficacy (lm/W) | Input Power (W) | Estd. L70 LED Life (Hrs) |
|----------|------------|--|-------|-------|-------|-------|-------|-----------------|-----------------|--------------------------|
|          |            | 30K8   | 30K9  | 35K8  | 35K9  | 40K8  | 40K9  |                 |                 |                          |
| Ambient  | 20L        | 2,084  | 1,710 | 2,132 | 1,752 | 2,109 | 1,795 | 60 - 75         | 28              | 80,000                   |
| Exam     | 50L        | 3,793  | 3,112 | 3,880 | 3,188 | 3,839 | 3,267 | 55 - 69         | 56              | 80,000                   |
| Reading  | 8L         | 650  | 533   | 665   | 546   | 658   | 560   | 47 - 59         | 11              | 80,000                   |

Information subject to change without notice. Visit [www.kenall.com](http://www.kenall.com) for IES files and additional information.

Model: BHAERS4-48-zz-LASYM-20L-50L-8L-40K8-DIM1-DV Ambient

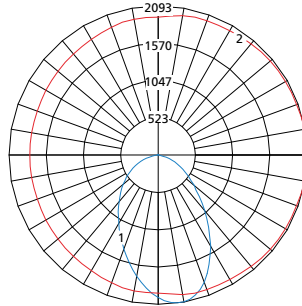
Model: BHAERS4-yy-LASYM-20L-50L-8L-40K8-DIM1-zzz Exam

Model: BHAERS4-yy-LASYM-20L-50L-8L-40K8-DIM1-zzz Reading



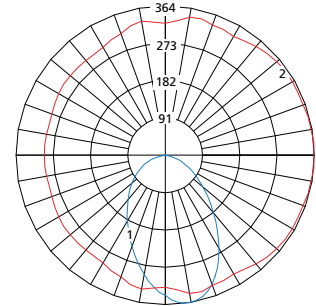
Maximum Candela = 1150 Located At Horizontal Angle = 0, Vertical Angle = 7.5

1 - Vertical Plane Through Horizontal Angles (0-180) (Through Max. Cd.)  
 2 - Horizontal Cone Through Vertical Angle (7.5) (Through Max. Cd.)



Maximum Candela = 2093 Located At Horizontal Angle = 0, Vertical Angle = 7.5

1 - Vertical Plane Through Horizontal Angles (0-180) (Through Max. Cd.)  
 2 - Horizontal Cone Through Vertical Angle (7.5) (Through Max. Cd.)

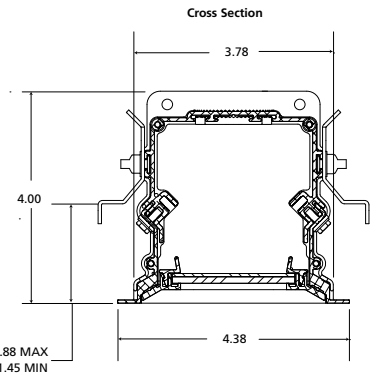
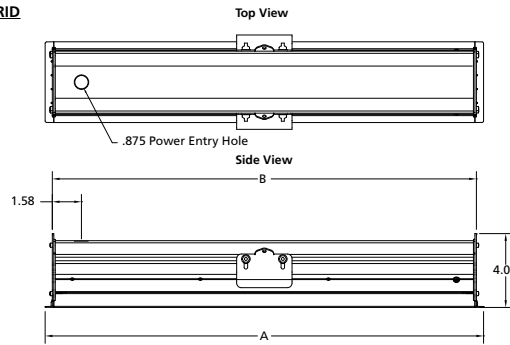


Maximum Candela = 364 Located At Horizontal Angle = 5, Vertical Angle = 10

1 - Vertical Plane Through Horizontal Angles (5-185) (Through Max. Cd.)  
 2 - Horizontal Cone Through Vertical Angle (10) (Through Max. Cd.)

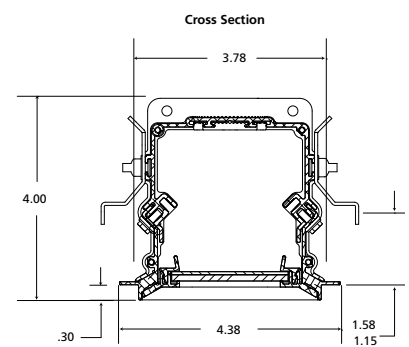
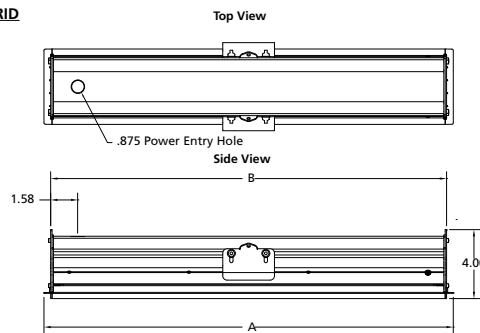
**DIMENSIONAL DATA**

**LAY-IN GRID**



| Nominal Length | Ceiling Configuration | A      | B      |
|----------------|-----------------------|--------|--------|
| 48             | LAY-IN GRID           | 47.75" | 46.97" |
|                | TEGULAR               | 47.75" | 46.97" |

**TEGULAR GRID**



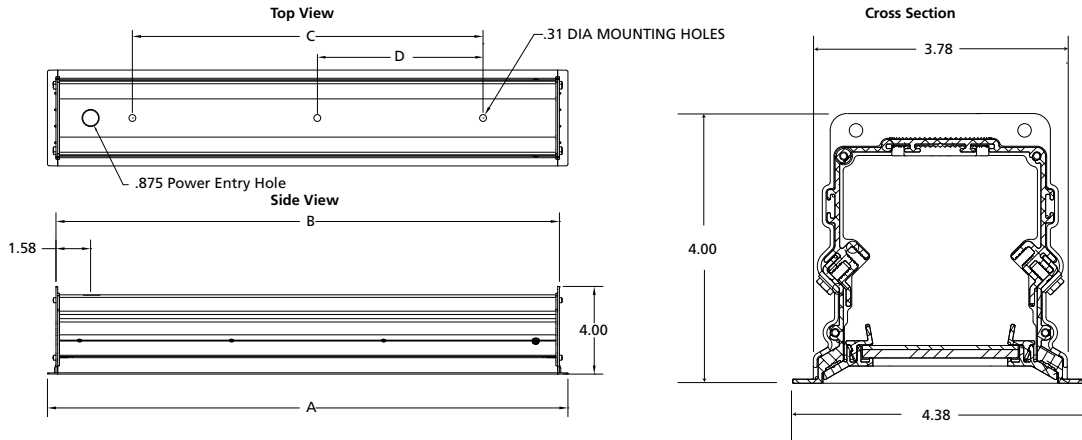
# MEDMASTER® SAFESLOT™

Multi-Function Luminaires for Behavioral Health Applications

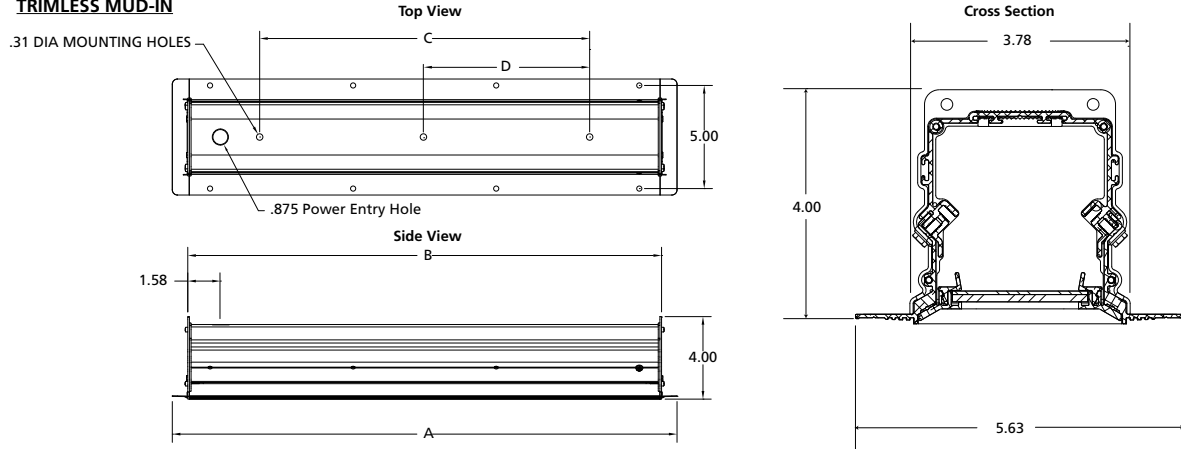
## BHAERS4 SERIES

### DIMENSIONAL DATA

#### FLANGE

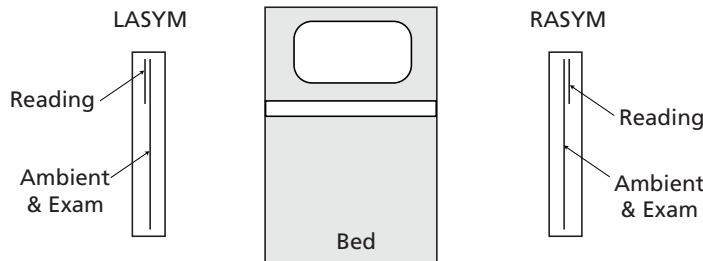


#### TRIMLESS MUD-IN



| Nominal Length | Ceiling Configuration | A      | B      | C      | Ceiling Cut-Out |
|----------------|-----------------------|--------|--------|--------|-----------------|
| 48             | FLANGE                | 47.75" | 46.97" | 40.00" | 3.875" x 47.25" |
|                | TRIMLESS              | 48.47" | 46.97" | 40.00" |                 |

### LUMINAIRE ORIENTATION / LAYOUT (must be specified in pairs)



NOTE: The entry hole is located toward the headwall.



www.kenall.com | P: 800-4-Kenall | F: 262-891-9701 | 10200 55th Street Kenosha, Wisconsin 53144, USA

This product complies with the Buy American Act: manufactured in the United States with more than 50% of the component cost of US origin. It may be covered by patents found at www.kenall.com/patents. Content of specification sheets is subject to change; please consult www.kenall.com for current product details. ©2019 Kenall Mfg. Co.

A brand of **legrand**