

STRATALUME CONNECTS™

AUC/MAUC SERIES (LOW PROFILE)

PROJECT INFORMATION

Job Name _____

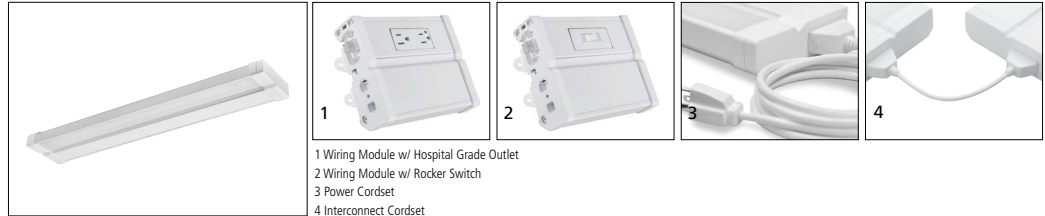
Fixture Type _____

Catalog Number _____

Approved by _____

PRODUCT FEATURES:

- » Available in 9 lengths and T5 lamping to fit any application
- » External mounting feet allow for easy installation
- » Built in plugs snap together for continuous runs



1 Wiring Module w/ Hospital Grade Outlet
 2 Wiring Module w/ Rocker Switch
 3 Power Cordset
 4 Interconnect Cordset

SPECIFICATIONS

HOUSING: Extruded marine-grade aluminum. Nominal thickness: 0.060". Antimicrobial finish standard on housing and ballast cover standard with MAUC series.

LENS: UV-stabilized, high-impact resistant, extruded frost 100% DR acrylic. Smooth exterior, linear prism interior. Snap-in tool-less entry design.

END CAPS/COVERS: UV-stabilized, high-impact resistant, injection-molded white or black opaque polycarbonate. Black end caps/covers provided when silver finish (SL) is ordered. Light leak-preventing interlocking design.

GASKET: Closed-cell extruded EPDM gasket seals lens to end caps.

SOCKETS: Shock-resistant sockets with internal locking collar to ensure positive lamp retention.

ELECTRICAL: Rapid start electronic ballast <10% THD. Dimming ballast (DM7): Programmed Start; <10% THD. All ballasts high power factor; UL listed, Class P; Class A audible noise rating. 3500K lamps pre-installed at factory. Male and female grounded connectors provided at ends of series-mount fixtures. See Options and Accessories for additional electrical capabilities.

ELECTRICAL ACCESSORIES: Wiring modules available with 15 amp hospital grade outlet or master switch. Construction and installation match fixtures. Cordsets: Custom-molded plugs, SVT cord, snap-together design. Power cordsets connect to left side of fixture series; 120V wall outlet powered, 6 amps max. Interconnect cordsets electrically connect fixtures. Available in white or black finish.

INSTALLATION: External mounting feet allow installation without accessing internal compartments. Four-point mounting required for individual fixtures and initial fixture in series-mount run. Two-point mounting required for subsequent series-mount fixtures. Direct wire in rear of fixture uses push-in connectors behind quick-access cover (7/8" KO). Direct wire into sides of fixture uses included adapter plate. Maximum current of series-runs 6 amps per circuit.

WARRANTY: Limited one (1) year Kenall fluorescent warranty.

LISTINGS: UL and CUL listed for Damp Location. Cord-equipped models listed as Portable Luminaires. NSF2 Splash/Non-Food Zone for MAUC series only.



ORDERING INFORMATION (Ex: MAUCSL-S-SL-37-RS-277)

| Model | Installation Type | Finish | Length | Ballast Type | Voltage | Options | Accessories |
|---|-------------------|---|--|--|---------|---------|---|
| Model | | Finish | | Ballast Type | | | Accessories (Series Mount only)** |
| AUCSL Architectural Applications | | MW† Matte White | | RS Rapid Start Electronic <10% THD | | | WML 6" Wiring Module w/o Accessory |
| MAUCSL† Healthcare Applications | | MB† Matte Black | | DM7† Low Voltage Electronic Dimming Ballast | | | WML/HGO* 8" Wiring Module w/ Hospital Grade Outlet |
| | | SL† Silver | | SB Specified Ballast | | | WML/SW* 6" Wiring Module w/Rocker Switch |
| Installation Type | | CCW Custom Color with White end caps | | | | | PCL2* 2' Straight Power Cordset |
| I Individual Mount | | CCB Custom Color with Black end caps | | Voltage | | | PCL3* 3' Straight Power Cordset |
| S Series Mount | | †Antimicrobial finish standard for MAUC series. | | 120 120 Volts | | | PCL4* 4' Straight Power Cordset |
| | | | | 277 277 Volts | | | PCL6* 6' Straight Power Cordset |
| | | | | 347▼ 347 Volts | | | PCL10* 10' Straight Power Cordset |
| | | | | | | | ICL05 6" Straight Fixture Interconnect Cordset |
| | | | Length (Lamps) | Options | | | ICL1 1' Straight Interconnect Cordset |
| | | | (see pg 2 for dimensional data) | 2C Series Mount Two-Circuit Wiring | | | ICL2 2' Straight Interconnect Cordset |
| | | | 14* 14.25" one 8 Watt (F8T5) | CS* 8' Hard-wired Cordset (Individual Mount only) | | | ICL3 3' Straight Interconnect Cordset |
| | | | 23* 23.25" one 13 Watt (F13T5) | FS Single Fuse & Holder | | | |
| | | | 25 24.5" one 14 Watt (F14T5) | HGO* Hospital Grade Grounded Outlet-15A, 125V (Individual Mount only) | | | |
| | | | 25HO 24.5" one 24 Watt (F24T5HO) | LD Lamp Delete Option | | | |
| | | | 27* 27" two 8 Watt (F8T5) | SW* Rocker Switch | | | |
| | | | 36* 36" one 8 Watt (F8T5) & one 13 Watt (F13T5) | | | | |
| | | | 37 36.35" one 21 Watt (F21T5) | | | | |
| | | | 37HO 36.35" one 39 Watt (F39T5HO) | | | | |
| | | | 45* 45" two 13 Watt (F13T5) | | | | |
| | | | 48 48.188" one 28 Watt (F28T5) | | | | |
| | | | 48HO 48.188" one 54 Watt (F54T5HO) | | | | |
| | | | 60 60" one 35 Watt (F35T5) | | | | |

* 120 Volts only
 † Available with F14T5, F21T5, F28T5, F35T5, and F54T5HO lamps
 ▼ Available with F54T5HO lamp, RS ballast only
 ** When ordering Accessories, add color suffix:
 -WHT white, -BLK black,
 -SLV silver (for Wiring Modules only)
 -CCW-CCB custom color
 (for Wiring Modules only)



www.kenall.com

P: 800-4-Kenall

F: 262-891-9701

10200 55th Street Kenosha, Wisconsin 53144

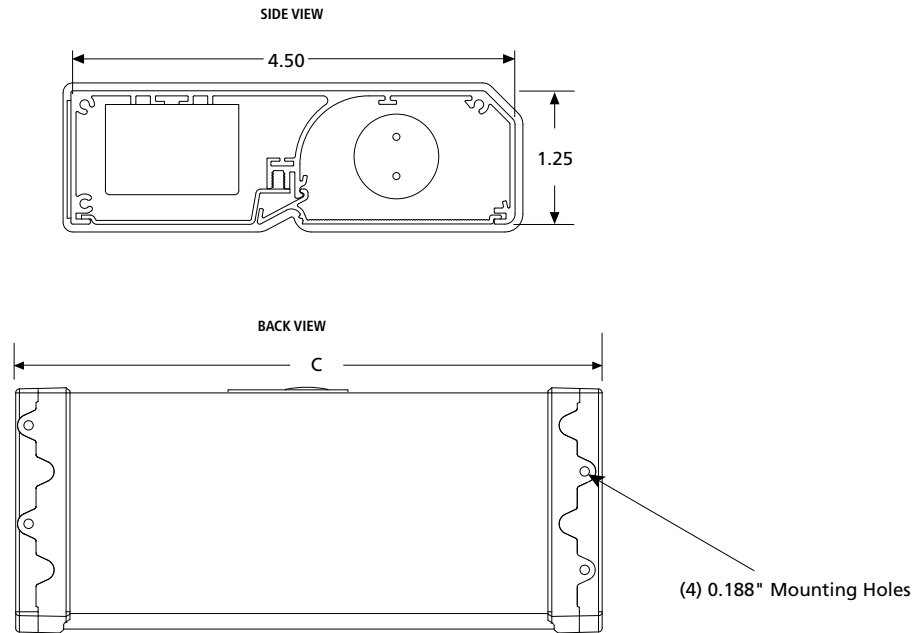
When you see this image, you will know the Kenall product shown or described is designed and manufactured in the USA with components purchased from US suppliers, and meets the Buy American requirements under the ARRA. Kenall has not determined the origin of its domestically purchased components or the subcomponents thereof. May be covered by patents found at www.kenall.com/patents. Content of specification sheets is subject to change; please consult www.kenall.com for current product details. © 2018 Kenall Mfg. Co. All rights reserved.

AUC_MAUC_SL-101818

STRATALUME CONNECTS™

AUC/MAUC SERIES (LOW PROFILE)

DIMENSIONAL DATA



LENGTH DIMENSION

| MODEL | LAMP | in | Max Current | | |
|-------|----------------------|-------|-------------|------|------|
| | | | 120V | 277V | 347V |
| 14 | (1) F8T5 | 14.27 | 0.08 | — | — |
| 23 | (1) F13T5 | 23.27 | 0.12 | — | — |
| 25 | (1) F14T5 | 24.53 | 0.16 | 0.07 | — |
| 25HO | (1) F24T5HO | 24.53 | 0.19 | 0.10 | — |
| 27 | (2) F8T5 | 27.00 | 0.16 | — | — |
| 36 | (1) F8T5 + (1) F13T5 | 36.00 | 0.20 | — | — |
| 37 | (1) F21T5 | 36.34 | 0.23 | 0.16 | — |
| 37HO | (1) F39T5HO | 36.34 | 0.34 | 0.15 | — |
| 45 | (2) F13T5 | 45.00 | 0.24 | — | — |
| 48 | (1) F28T5 | 48.16 | 0.30 | 0.14 | — |
| 48HO | (1) F54T5HO | 48.16 | 0.53 | 0.23 | 0.19 |
| 60 | (1) F35T5 | 59.97 | 0.34 | 0.15 | — |

NOTE: Subtract 0.54" for each end cover removed to get overall length in series mount applications. When ordering the power or interconnect cordset, allow at least 2" clearance on the side of the fixture. To calculate maximum allowable fixtures in a series run, divide 6 amps maximum current by the maximum current of each fixture.



www.kenall.com

P: 800-4-Kenall

F: 262-891-9701

10200 55th Street Kenosha, Wisconsin 53144

When you see this image, you will know the Kenall product shown or described is designed and manufactured in the USA with components purchased from US suppliers, and meets the Buy American requirements under the ARRA. Kenall has not determined the origin of its domestically purchased components or the subcomponents thereof. May be covered by patents found at www.kenall.com/patents. Content of specification sheets is subject to change; please consult www.kenall.com for current product details. © 2018 Kenall Mfg. Co. All rights reserved.

AUC_MAUC_SL-101818