

STRATALUME CONNECTS™

AUC/MAUC SERIES (DEEP PROFILE)

PROJECT INFORMATION

Job Name _____

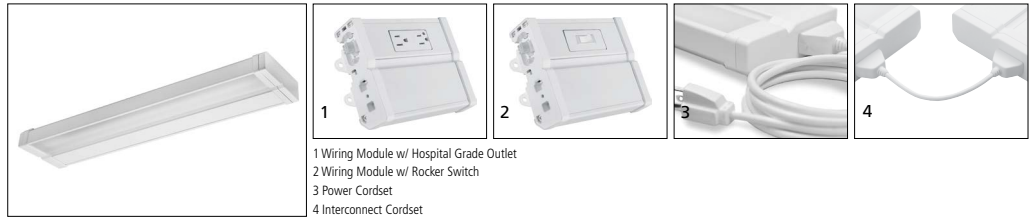
Fixture Type _____

Catalog Number _____

Approved by _____

PRODUCT FEATURES:

- » Available in 4 lengths, T8 lamping to fit any application
- » External mounting feet allow for easy installation
- » Antimicrobial finish standard when used in MAUC Series



1 Wiring Module w/ Hospital Grade Outlet
 2 Wiring Module w/ Rocker Switch
 3 Power Cordset
 4 Interconnect Cordset

SPECIFICATIONS

HOUSING: Extruded marine-grade aluminum. Nominal thickness: 0.060". Antimicrobial finish standard on housing and ballast cover standard with MAUC series.

LENS: UV-stabilized, high-impact resistant, extruded frost 100% DR acrylic. Smooth exterior, linear prism interior. Snap-in tool-less entry design.

END CAPS/COVERS: UV-stabilized, high-impact resistant, injection-molded white or black opaque polycarbonate. Black end caps/covers provided when silver finish (SL) is ordered. Light leak-preventing interlocking design.

GASKET: Closed-cell extruded EPDM gasket seals lens to end caps.

SOCKETS: Shock-resistant sockets with internal locking collar to ensure positive lamp retention.

ELECTRICAL: Instant start or rapid start electronic ballast <10% THD. Dimming ballast (DM7): Programmed Start; <10% THD. All ballasts high power factor; UL listed, Class P; Class A audible noise rating. Rapid Start ballast included with motion sensor option. 3500K lamps pre-installed at factory. Male and female grounded connectors provided at ends of series-mount fixtures. See Options and Accessories for additional electrical capabilities.

ELECTRICAL ACCESSORIES: Wiring modules available with 15 amp hospital grade outlet or master switch. Construction and installation match fixtures. Cordsets: Custom-molded plugs, SVT cord, snap-together design. Power cordsets connect to left side of fixture series; 120V wall outlet powered, 6 amps max. Interconnect cordsets electrically connect fixtures. Available in white or black finish.

INSTALLATION: External mounting feet allow installation without accessing internal compartments. Four-point mounting required for individual fixtures and initial fixture in series-mount run. Two-point mounting required for subsequent series-mount fixtures. Direct wire in rear of fixture uses push-in connectors behind quick-access cover (7/8" KO). Direct wire into sides of fixture uses included adapter plate. Maximum current of series-runs 6 amps per circuit.

WARRANTY: Limited one (1) year Kenall fluorescent warranty.

LISTINGS: UL and CUL listed for Damp Location. Cord-equipped models listed as Portable Luminaires. NSF2 Splash/Non-Food Zone for MAUC series only.



ORDERING INFORMATION (Ex: MAUCSD-I-MW-26-IS-120)

Model	Installation Type	Finish	Length	Ballast Type	Voltage	Options	Accessories
Model		Finish		Ballast Type			Accessories (Series Mount only)**
AUCSD	Architectural Solid Front	MW Matte White		IS Instant Start Electronic			WMD 6" Wiring Module w/o Accessory
MAUCSD	Healthcare Solid Front	MB Matte Black		RS Rapid Start Electronic			WMD/HGO* 8" Wiring Module w/ Hospital Grade Outlet
		SL Silver		DM7 Low Voltage Electronic Dimming Ballast			WMD/SW* 6" Wiring Module w/Rocker Switch
		CCW Custom Color with White end caps		SB Specified Ballast			WMD/MS 8" Wiring Module w/Motion Sensor
Installation Type		CCB Custom Color with Black end caps					PCD2* 2' Straight Power Cordset
I	Individual Mount			Voltage			PCD3* 3' Straight Power Cordset
S	Series Mount			120 120 Volts			PCD4* 4' Straight Power Cordset
				277 277 Volts			PCD6* 6' Straight Power Cordset
				347 347 Volts			PCD10* 10' Straight Power Cordset
							ICD05 6" Straight Fixture Interconnect Cordset
				Options			ICD1 1' Straight Interconnect Cordset
				2C Series Mount Two-Circuit Wiring			ICD2 2' Straight Interconnect Cordset
				CS* 8' Hard-wired Cordset (Individual Mount only)			ICD3 3' Straight Interconnect Cordset
				FS Single Fuse & Holder			
				HGO* Hospital Grade Grounded Outlet-15A, 125V (n/a w/F18TT and F27TT lamps) (Individual Mount only)			
				LD Lamp Delete Option			
				MS Motion Sensor (120/277V only)			
				SW* Rocker Switch (n/a w/F27TT lamp)			
							† Available with RS ballast only
							* 120 Volts only
							▼ Available w/F17T8, F25T8, and F32T8 lamps
							• Available with F25T8 and F32T8 lamps, IS ballast only

** When ordering Accessories, add color suffix:
 –WHT white, –BLK black,
 –SLV silver (for Wiring Modules only)
 –CCW/–CCB custom color (for Wiring Modules only)



www.kenall.com | P: 800-4-Kenall | F: 262-891-9701 | 10200 55th Street Kenosha, Wisconsin 53144, USA

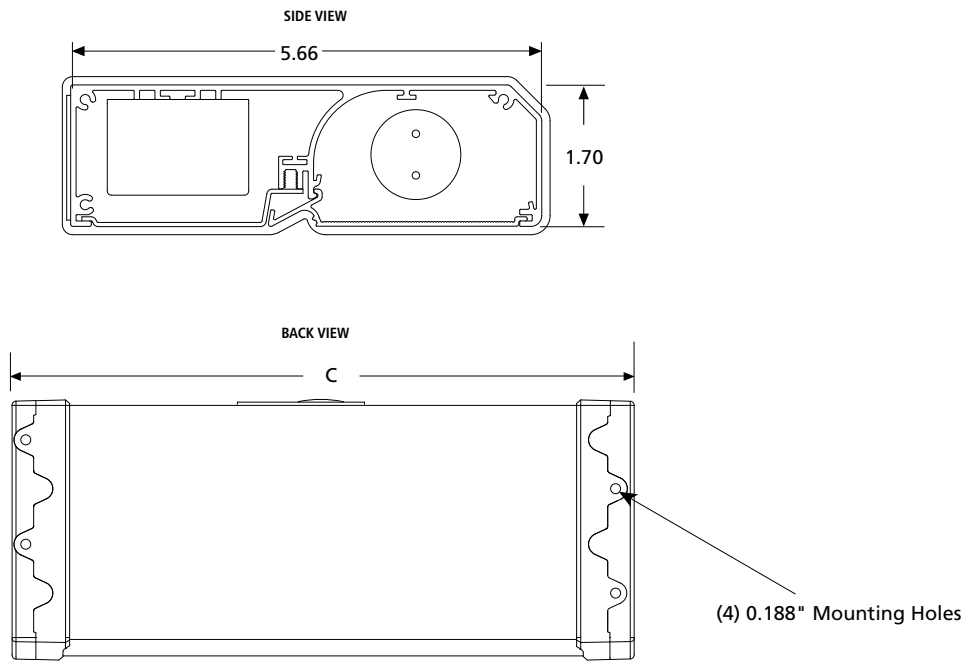
This product complies with the Buy American Act: manufactured in the United States with more than 50% of the component cost of US origin. It may be covered by patents found at www.kenall.com/patents. Content of specification sheets is subject to change; please consult www.kenall.com for current product details. ©2019 Kenall Mfg. Co.

A brand of Legrand

STRATALUME CONNECTS™

AUC/MAUC SERIES (DEEP PROFILE)

DIMENSIONAL DATA



LENGTH DIMENSION

MODEL	LAMP	"C" in	Max Current		
			120V	277V	347V
26	(1) F17T8	26.12	0.20	0.08	—
38	(1) F25T8	38.12	0.26	0.11	0.09
50	(1) F32T8	50.12	0.29	0.13	0.12
62	(1) F40T8	62.12	0.37	0.16	—
WMD	—	6.00	NOTE: Subtract 0.54" for each end cover removed to get overall length in series mount applications. When ordering the power or interconnect cordset, allow at least 2" clearance on the side of the fixture. To calculate maximum allowable fixtures in a series run, divide 6 amps maximum current by the maximum current of each fixture.		
WMD/HGO	—	8.00			
WMD/SW	—	6.00			
WMD/MS	—	8.00			



www.kenall.com | P: 800-4-Kenall | F: 262-891-9701 | 10200 55th Street Kenosha, Wisconsin 53144, USA

This product complies with the Buy American Act: manufactured in the United States with more than 50% of the component cost of US origin. It may be covered by patents found at www.kenall.com/patents. Content of specification sheets is subject to change; please consult www.kenall.com for current product details. ©2019 Kenall Mfg. Co.

A brand of **legrand**