

Millenium™ Semi-Recessed

This Tech Sheet applies to the following Series:

- MR13(x)SR MR13FFR
- MR17(x)SR MR17FFR
- MS11(x)SR MS15(x)SR

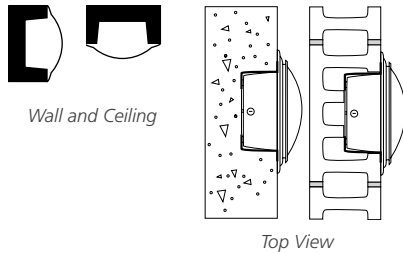
Consult Specification Sheets for ordering options, construction and performance specifications, dimensional data and listings.

Request specific Installation Sheets by Series Number (example: MR13ESR) followed by recessed type indicated in the following chart (example: PP (Pour-in-Place)).

- Pour-in-Place & Masonry (PP)
- Non-IC - Deep Profile (ND)
- Non-IC - Shallow Profile (NL)
- Canopy - Covered Top (CC)
- Canopy - Open Top (CO)



Pour-In-Place and Masonry (PP)



Suitability

Suitable for Pour-in-Place applications (Wall or Ceiling). This fixture is not provided with thermal protection. For installation only in a fire-resistant medium, such as concrete.

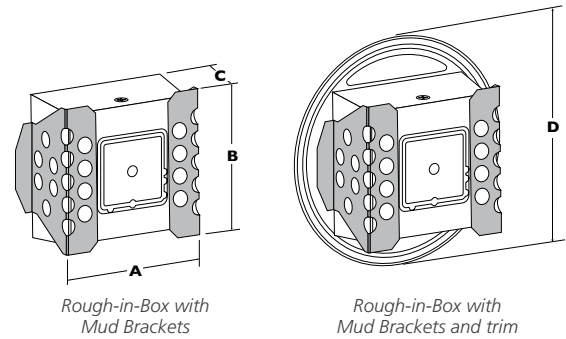
Housing Material: Die-Cast Aluminum

Mounting Brackets: 16-gauge galvanized steel "mud brackets"

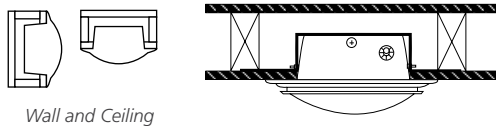
| Dimensional Data (in inches) | | A | B | C | D |
|------------------------------|----------------------|--------|--------|-------|--------|
| MR13FFR/(x)SR | Rough-In-Box- B10820 | 9.125 | 9.000 | 4.125 | 14.000 |
| MS11(x)SR | Rough-In-Box- B10820 | 9.125 | 9.000 | 4.125 | 11.875 |
| MR17FFR(x)SR | Rough-In-Box- B10598 | 12.562 | 12.375 | 4.900 | 18.000 |
| MS15(x)SR | Rough-In-Box- B10598 | 12.562 | 12.375 | 4.900 | 15.180 |

Conduit Openings

One 3/4" IPS tapped hole on back of housing
Two 3/4" IPS tapped and plugged on top and bottom of housing



Non-IC – Thermally Protected (ND)



Suitability

Suitable for installation in a cavity that may or may not be insulated. All insulation is intended to be spaced no less than 4 inches from the sides of the fixture. Insulation is not intended to be provided over the top of the fixture. The recessed enclosure (other than at points of support) is intended to be spaced at least 1/2 inch from combustible material.

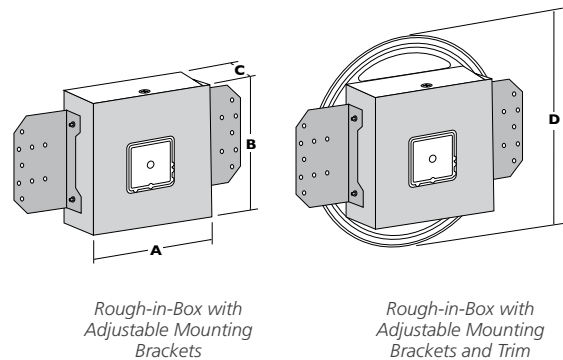
Housing Material: Die-Cast Aluminum

Mounting Brackets: 18-gauge CRS; Urethane Powder Coat Finish

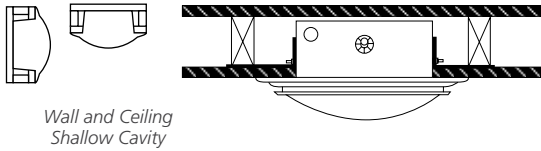
| Dimensional Data (in inches) | | A | B | C | D |
|------------------------------|----------------------|--------|--------|-------|--------|
| MR13FFR/(x)SR | Rough-In-Box- B11462 | 9.156 | 9.000 | 4.125 | 14.000 |
| MS11(x)SR | Rough-In-Box- B11462 | 9.156 | 9.000 | 4.125 | 11.875 |
| MR17FFR(x)SR | Rough-In-Box- B11461 | 12.562 | 12.375 | 4.900 | 18.250 |
| MS15(x)SR | Rough-In-Box- B11461 | 12.562 | 12.375 | 4.900 | 15.180 |

Conduit Openings

One 3/4" IPS tapped hole on back of housing
Two 3/4" IPS tapped and plugged on top and bottom of housing



Non-IC – Thermally Protected (NL)



Wall and Ceiling
Shallow Cavity

Suitability

Suitable for installation in shallow cavities that may or may not be insulated. All insulation is intended to be spaced no less than 4 inches from the sides of the fixture. Insulation is not intended to be provided over the top of the fixture. The recessed enclosure (other than at points of support) is intended to be spaced at least 1/2 inch from combustible material.

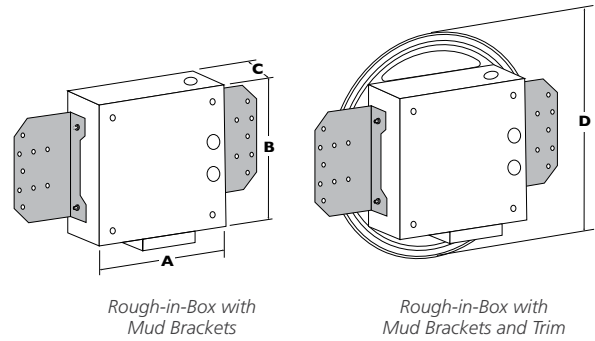
Housing Material: 18-gauge CRS; Urethane Powder Coat Finish

Mounting Brackets: 16-gauge Galvanized Steel

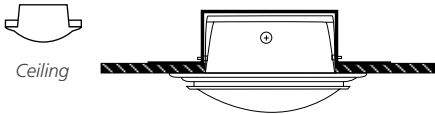
| Dimensional Data (in inches) | | A | B | C | D |
|------------------------------|----------------------|--------|--------|-------|--------|
| MR13FFR/(x)SR | Rough-In-Box- B23918 | 8.875 | 8.875 | 3.800 | 14.000 |
| MS11(x)SR | Rough-In-Box- B23918 | 8.875 | 8.875 | 3.800 | 11.875 |
| MR17FFR/(x)SR | Rough-In-Box- B23743 | 12.188 | 12.188 | 3.800 | 18.000 |
| MS15(x)SR | Rough-In-Box- B23743 | 12.188 | 12.188 | 3.800 | 15.180 |

Conduit Openings

Two 7/8" K.O.s on back, four 7/8" K.O.s on sides of housing



Canopy – Open Top (CO)



Ceiling

Suitability

Suitable for installation through an opening in an outdoor canopy or marquee such as those used over gas station pumping islands and similar locations. The canopy or marquee may or may not be open on the top. This product is not intended for indoor use or outdoor installation in which thermal insulation would be employed.

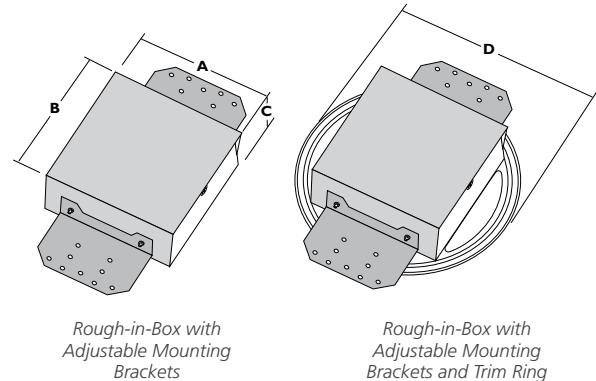
Housing Material: Die-Cast Aluminum

Mounting Brackets: 16-gauge Stainless Steel

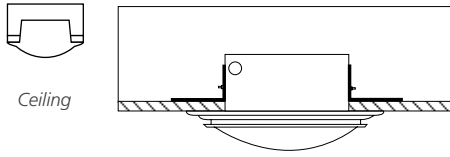
| Dimensional Data (in inches) | | A | B | C | D |
|------------------------------|----------------------|--------|--------|-------|--------|
| MR13FFR/(x)SR | Rough-In-Box- B11422 | 9.125 | 9.000 | 4.125 | 14.000 |
| MS11(x)SR | Rough-In-Box- B11422 | 9.125 | 9.000 | 4.125 | 11.875 |
| MR17FFR/(x)SR | Rough-In-Box- B11423 | 12.562 | 12.375 | 4.900 | 18.000 |
| MS15(x)SR | Rough-In-Box- B11423 | 12.562 | 12.375 | 4.900 | 15.180 |

Conduit Openings

Two 3/4" IPS tapped and plugged on sides of housing



Canopy – Covered Top (CC)



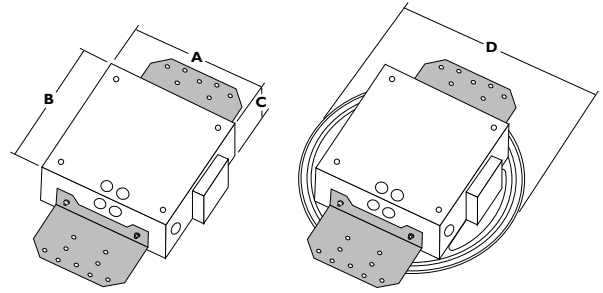
Conduit Openings

Two 7/8" K.O.s on back, four 7/8" K.O.s on sides of housing

Suitability

Suitable for installation through an opening in an outdoor canopy or marquee such as those used over gas station pumping islands and similar locations. The canopy or marquee has a covered ceiling such that rain cannot directly hit the recessed portion of the housing. This product is not intended for indoor use or outdoor installation in which thermal insulation would be employed.

Housing Material: 18-gauge CRS; Urethane Powder Coat Finish
Mounting Brackets: 16-gauge Galvanized Steel



Fixture Housing with Adjustable Mounting Brackets

Fixture Housing with Adjustable Mounting brackets and Trim Ring

Dimensional Data (in inches)

| | | A | B | C | D |
|----------------------|----------------------|--------|--------|-------|--------|
| MR13FFR/(x)SR | Rough-In-Box- B23917 | 8.875 | 8.875 | 3.800 | 14.000 |
| MS11(x)SR | Rough-In-Box- B23917 | 8.875 | 8.875 | 3.800 | 11.875 |
| MR17FFR/(x)SR | Rough-In-Box- B23742 | 12.188 | 12.188 | 3.800 | 18.000 |
| MS15(x)SR | Rough-In-Box- B23742 | 12.188 | 12.188 | 3.800 | 15.180 |

