

This Tech Sheet applies to the following Series:

MR13EL MR13ESR MR13ED
 MR17EL MR17ESR MR17ED

Custom signage and logo outlines can be precision cut into the eyelids of the above products. The image, illuminated from behind, creates a unique and memorable display. CNC programmable technology ensures a clean, consistent quality.

The intent of this publication is to facilitate the selection of the appropriate lighting fixture and provide a means of preparing your design concept for a feasibility review, customer approval and production.

First, consult the Dimensional Data section to select the correct fixture size (13" or 17") and installation type (Surface/Low Profile, Semi-Recessed or Surface/Deep Profile).

Second, consult the Ordering Information section to locate the correct specification sheet and construct the catalog number.

Finally, consult the Design Criteria section to prepare your custom signage or logo design for a feasibility review by Kenall's design department.

When you have completed the three-step process, submit your catalog number and design proposal to Kenall's Customer Service Department. Upon receipt of your submission you will be contacted to discuss the feasibility of your design.

You may request a line drawing your approval.



Dimensional Data (select the appropriate fixture)

MR13EL



Size **Depth**
 13.2" Dia. 4.0"

MR13ESR/*



Series	Size	Exposed Depth	Recessed Depth
MR13ESR/PP	14.0" Dia.	3.0"	4.0"
MR13ESR/ND	14.0" Dia.	3.0"	4.0"
MR13ESR/NL	14.0" Dia.	3.0"	3.8"

MR13ED



Size **Depth**
 13.2" Dia. 6.6"

MR17EL



Size **Depth**
 17.6" Dia. 6.1"

MR17ESR*



Series	Size	Exposed Depth	Recessed Depth
MR17ESR/PP	18.2" Dia.	4.0"	4.9"
MR17ESR/ND	18.2" Dia.	4.0"	4.9"
MR17ESR/NL	18.2" Dia.	4.0"	3.8"

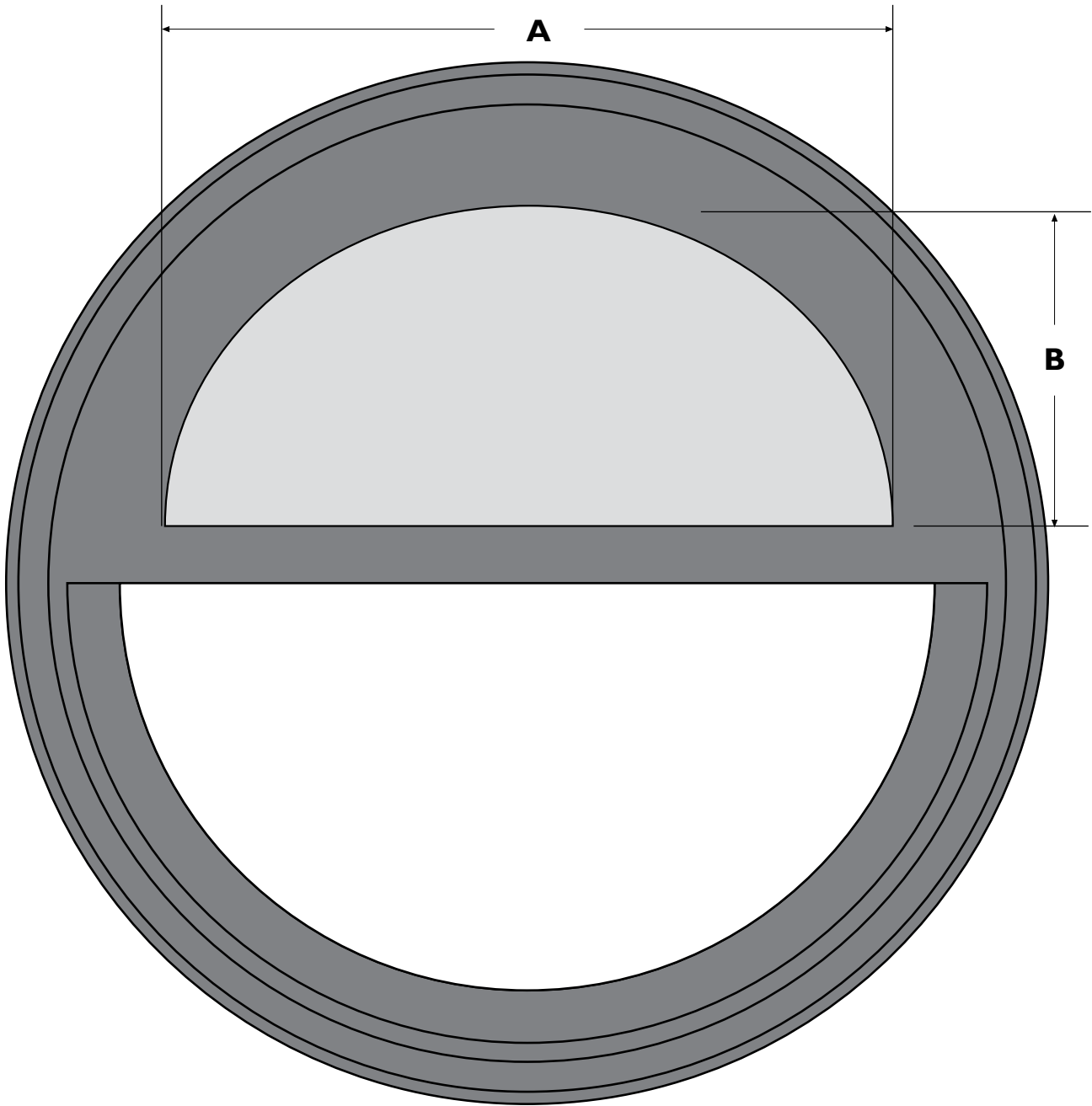
MR17ED



Size **Depth**
 17.6" Dia. 8.7"

* Consult Millenium Semi-Recessed Tech Sheet to assist in selection of the correct type (example: PP indicates Pour-in-Place).

Design Criteria (Prepare design for feasibility review)



Design Space	A	B
MR13 Series	9.0"	4.0"
MR17 Series	12.0"	5.5"

Check List

1. Submit complete catalog number and design sketch to Kenall Customer Service for feasibility review.
2. Submit finished artwork to Kenall Customer Service.
3. Finished artwork will be converted to CAD geometry by Kenall Design Department.
4. Kenall Design Department will provide line drawing upon request.
5. Consult Kenall Customer Service for schedule and pre-production cost (if any).
6. Kenall Customer Service will advise shipping schedule.

Complexity

This Kenall logo demonstrates some design limitations.

