

LOW VOLTAGE CONTROLLER for Multi-Function Luminaires LVC/LVCS SERIES

PROJECT INFORMATION

Job Name _____

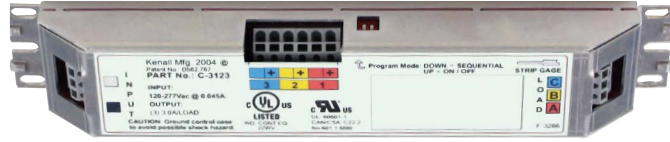
Fixture Type _____

Catalog Number _____

Approved by _____

PRODUCT FEATURES:

- » Allows low voltage control of line voltage luminaires
- » Individual or sequential control modes
- » Designed to operate up to three separate loads by the closure of low voltage momentary contact switches
- » Can be controlled via patient hand held pillow device, bed side rails, or a wall.



SPECIFICATIONS

ELECTRICAL:

INPUT VOLTAGE:

Range: 120 through 277 VAC ± 10% (3 amps max per load)
50/60 Hertz

Low Voltage Circuits Operating Voltage
5 VDC

Loads: 3 Load Max

Operating Temperature Range
32-176° F / 0-80° C

CONTROL MODES: Kenall's LVC has the ability to operate in 2 different modes; INDIVIDUAL or SEQUENTIAL. The 2 control modes are set using dip switches located next to the low voltage terminals. Both dip switches in the UP position (toward the label) will put the LVC in INDIVIDUAL MODE. Both dip switches in the DOWN position will be SEQUENTIAL MODE.

INSTALLATION: The LVC accepts a single universal voltage input of 120v through 277V. When the LVC is pre-installed into a Kenall light fixture, the ballasts/driver will be pre-wired to the LVC outputs. The contractor will be responsible for connecting the incoming AC power to the LVC and connecting the low voltage wiring (Class 2) to the LVC in an isolated conduit. A low voltage wiring diagram will be supplied with the fixture and will match the specified control sequence.

PATENT: U.S. Patent No. D562,767

LISTINGS: UL/CUL Recognized Component Medical/Dental 60601-1. UL Listed Industrial Control Device 22WV.



www.kenall.com | P: 800-4-Kenall | F: 262-891-9701 | 10200 55th Street Kenosha, Wisconsin 53144, USA

A brand of **legrand**

This product complies with the Buy American Act: manufactured in the United States with more than 50% of the component cost of US origin. It may be covered by patents found at www.kenall.com/patents. Content of specification sheets is subject to change; please consult www.kenall.com for current product details. ©2019 Kenall Mfg. Co.

LOW VOLTAGE CONTROLLER

for Multi-Function Luminaires

LVC/LVCS SERIES

Individual Mode

Individual mode allows control of 3 loads with 3 independent low voltage switches. (See Table 1)

LV Input	Loads
1	A
2	B
3	C

Table 1: Individual Mode Switching

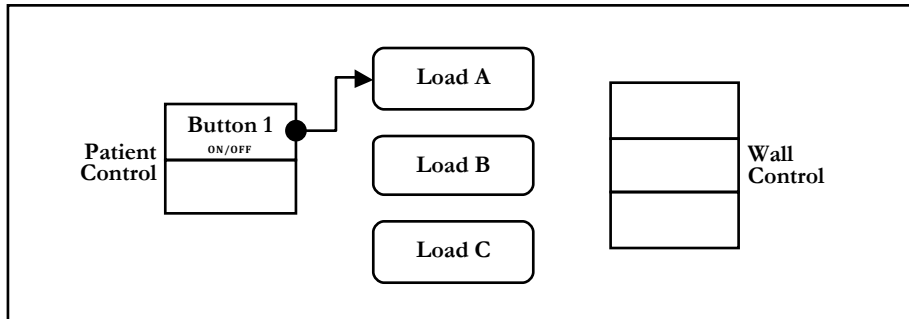


Figure 1: Individual Load, Single Button Patient Control and No Wall Control

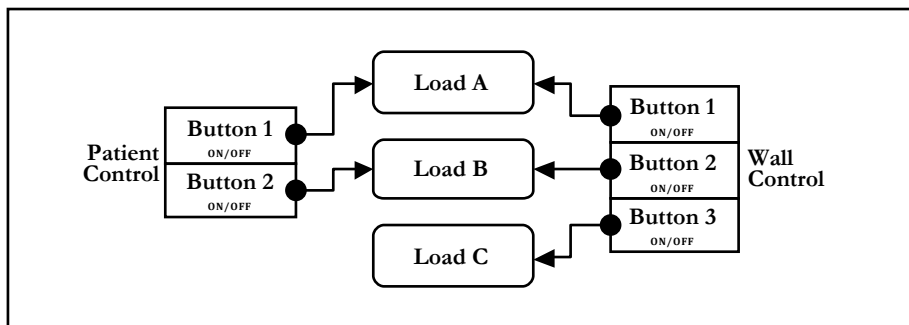


Figure 2: Individual Load, Two – Button Patient Control and Three Button Wall Control



LOW VOLTAGE CONTROLLER
for Multi-Function Luminaires
LVC/LVCS SERIES

Configuration Example

The LVC configuration description lists the luminaire(s) controlled by each of the three LVC switches and the program mode (UP). In other words, the first position corresponds to the first wire pair, the second position to the second and so on. The final position describes the program mode. See the table below for luminaire description codes. Locate the corresponding configuration number and add this number to the end of the luminaire catalog number.

	[Load A]		[Load B]		[Load C]		[UP]	Configuration Number
Individual	A	/	R	/	—	/	UP	F-3345

Control Questionnaire

Select Loads and Control Mode [Input luminaire codes]*

- Load A Luminaire (required)
- Load B Luminaire
- Load C Luminaire
- UP Individual Mode[UP] (required)

A	Ambient Light
CL	Chart Light
E	Exam Light

NL	Night Light
R	Reading Light
UP	Individual Mode

Diagram Listing

This table lists each of the possible configurations of the Kenall LVC with the corresponding part number for the wiring diagram.

Description: [SW1] / [SW2] / [SW3] / [UP/DN]

Individual Mode Configurations

NOTE: For custom configurations, consult factory.

Configuration Number	Description
F-3335	A / - / - / UP
F-3340	R / - / - / UP
F-3342	A / E / - / UP
F-3345	A / R / - / UP
F-3366	R / A / - / UP
F-3388	R / E / A / UP
F-3414	A / R / E / UP
F-3427	R / A / E / UP
F-3472	A / E / R / UP

Signature: _____

Name: _____ Date: _____

PO#: _____ Fixture Type: _____

****By signing this, the signee gives approval of the above configuration for the LVC driver. The order will not be processed unless signed.**



www.kenall.com | P: 800-4-Kenall | F: 262-891-9701 | 10200 55th Street Kenosha, Wisconsin 53144, USA

A brand of **legrand**

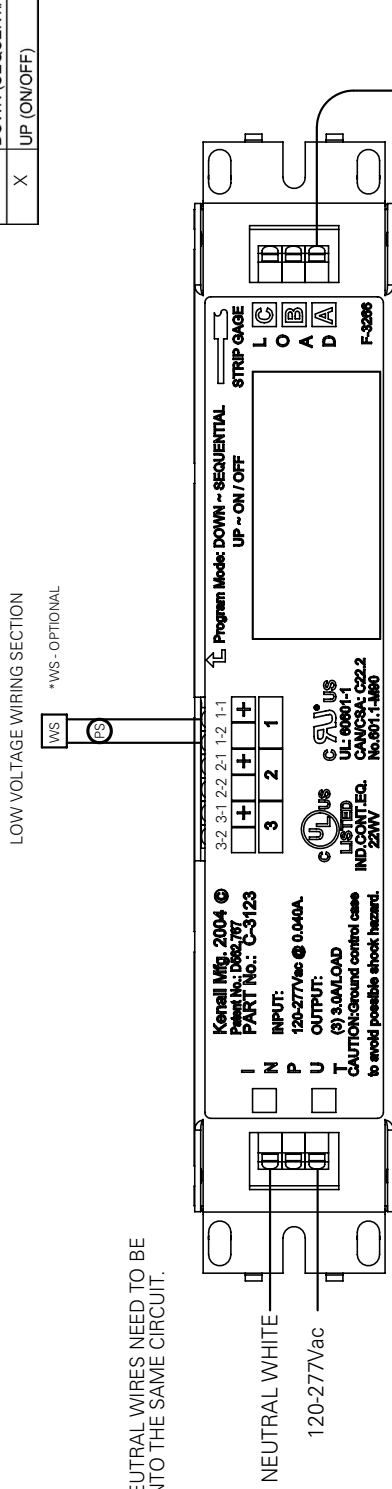
This product complies with the Buy American Act: manufactured in the United States with more than 50% of the component cost of US origin. It may be covered by patents found at www.kenall.com/patents. Content of specification sheets is subject to change; please consult www.kenall.com for current product details. ©2019 Kenall Mfg. Co.

LOW VOLTAGE CONTROLLER

for Multi-Function Luminaires
LVC/LVCS SERIES

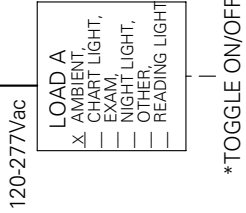
LEGEND KEY	
PS	PATIENT SWITCH (AT THE BED) N.O. MOMENTARY CONTACT
WS	WALL SWITCH N.O. MOMENTARY CONTACT
PROGRAM MODE:	
	DOWN (SEQUENTIAL)
X	UP (ON/OFF)

MOMENTARY CONTACT WIRE (5 VOLT SUPPLY) HOOK-UP			
3-2	3-1	2-2	1-1
RETURN (BLUE)	SUPPLY (BLUE)	RETURN (YELLOW)	SUPPLY (RED)
↓	↑	↓	↑



ALL NEUTRAL WIRES NEED TO BE TIED INTO THE SAME CIRCUIT.

LOAD CAN BE ANY SINGLE BALLAST OR MULTIPLE BALLAST WITH MAXIMUM RATING OF 3 AMPS.



SW POS.	WS #1 (1-1, 1-2)	PS #1 (1-1, 1-2)	LOAD A
1	ON		
2	OFF		
3			
4			

KENALL
A/-/-/UP
F-3335
041510



www.kenall.com | P: 800-4-Kenall | F: 262-891-9701 | 10200 55th Street Kenosha, Wisconsin 53144, USA

A brand of **legrand**

This product complies with the Buy American Act: manufactured in the United States with more than 50% of the component cost of US origin. It may be covered by patents found at www.kenall.com/patents. Content of specification sheets is subject to change; please consult www.kenall.com for current product details. ©2019 Kenall Mfg. Co.

LOW VOLTAGE CONTROLLER

for Multi-Function Luminaires

LVC/LVCS SERIES

Sequential Mode

Sequential mode allows control of 2 loads with 1 common low voltage switch and control of 1 additional load with a 2nd switch. (See Table 2)

LV Input	Loads	Sequence
1	A & B	A, B, A+B, OFF
2*	A	ON, OFF
3	C	ON, OFF

Table 2: Sequential Mode Switching

* In sequential mode LV Input 2 provides an override control for Load A.

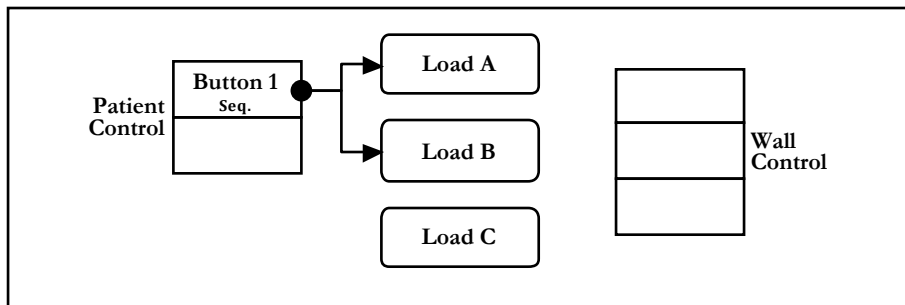


Figure 3: Sequential Load, One – Button Patient Control and No Wall Control

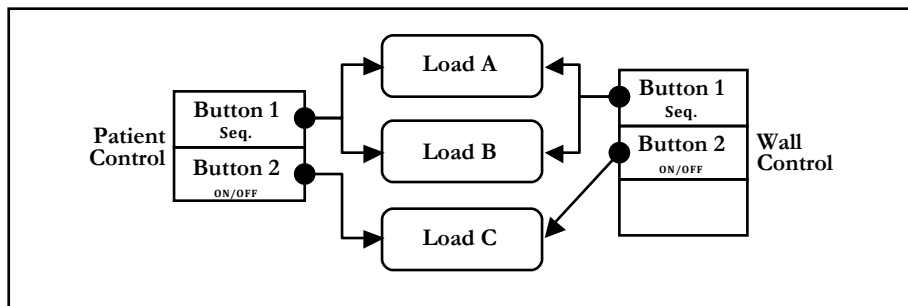


Figure 4: Sequential Load, Two – Button Patient Control and Two – Button Wall Control



LOW VOLTAGE CONTROLLER
for Multi-Function Luminaires
LVC/LVCS SERIES

Configuration Example

The LVC configuration description lists the luminaire(s) controlled by each of the three LVC switches and the program mode (DN). In other words, the first position corresponds to the first wire pair, the second position to the second and so on. The final position describes the program mode. See the table below for luminaire description codes. Locate the corresponding configuration number and add this number to the end of the luminaire catalog number.

	[Load A + Load B]	[Load A]	[Load C]	[DN]	Configuration Number
Sequential	A + R	—	—	DN	F-3494

Control Questionnaire

Select Loads and Control Mode [Input luminaire codes]*

Load A Luminaire (required)

Load B Luminaire

Load C Luminaire

Sequential Mode [DN] (required)

A	Ambient Light
CL	Chart Light
E	Exam Light

NL	Night Light
R	Reading Light
DN	Sequential Mode

Diagram Listing

This table lists each of the possible configurations of the Kenall LVC with the corresponding part number for the wiring diagram.

Description: [SW1] / [SW2] / [SW3] / [UP/DN]

Sequential Mode Configurations

NOTE: For custom configurations, consult factory.

Configuration Number	Description
F-3494	A+R / - / - / DN
F-3507	R+A / - / - / DN
F-3546	A+E / - / - / DN
F-3562	A+R / A / E / DN
F-3650	A+R / - / E / DN

Signature: _____

Name: _____ Date: _____

PO#: _____ Fixture Type: _____

****By signing this, the signee gives approval of the above configuration for the LVC driver. The order will not be processed unless signed.**



LOW VOLTAGE CONTROLLER

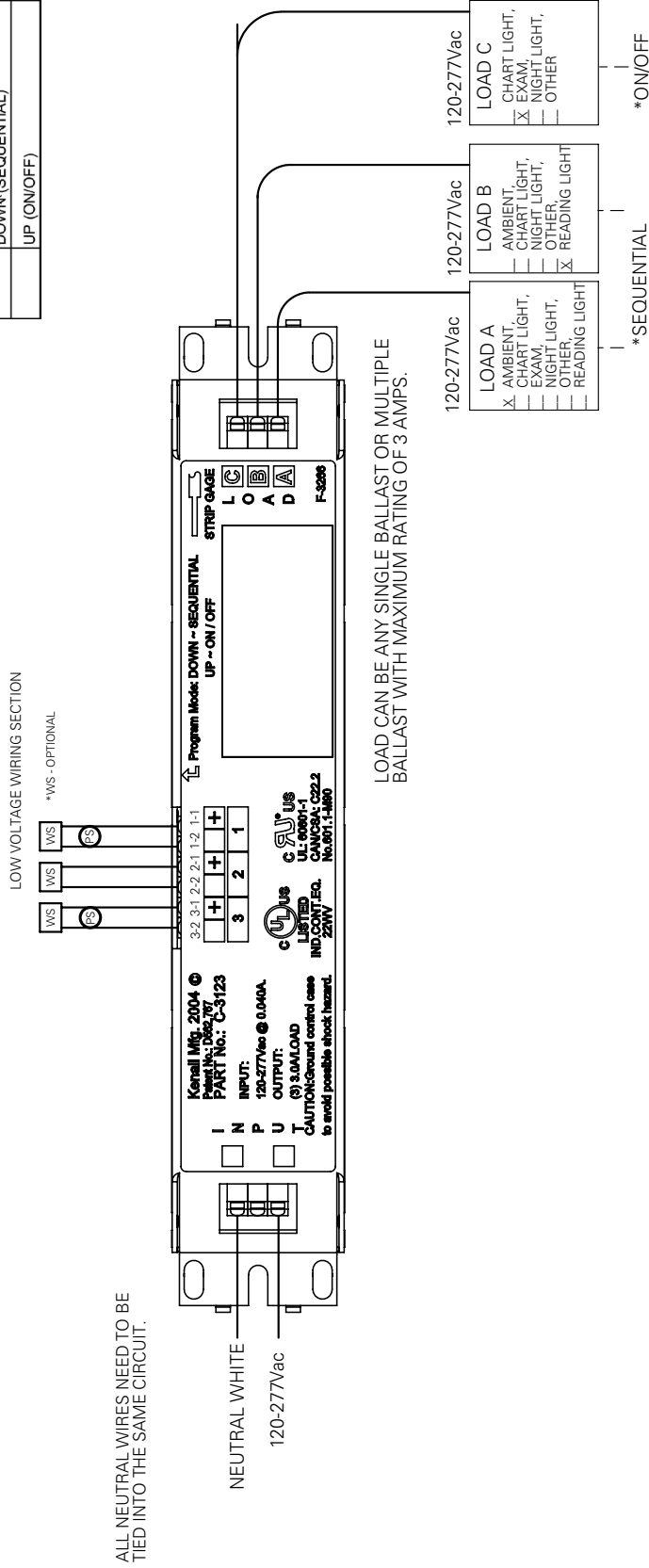
for Multi-Function Luminaires

LVC/LVCS SERIES

MOMENTARY CONTACT WIRE (6 VOLT SUPPLY) HOOK-UP				
3-2	3-1	2-2	2-1	1-1
RETURN (BLUE)	SUPPLY (BLUE)	RETURN (YELLOW)	SUPPLY (YELLOW)	SUPPLY (RED)
↑	↑	↓	↑	↑

LEGEND KEY	
PS	PATIENT SWITCH (AT THE BED) N.O. MOMENTARY CONTACT
WS	WALL SWITCH N.O. MOMENTARY CONTACT

PROGRAM MODE:	
DOWN	(SEQUENTIAL)
UP	(ON/OFF)



SW POS.	WS #1 (1-1, 1-2)	WS #2 (2-1, 2-2)	WS #3 (3-1, 3-2)
SEQUENCE	PS #1 (1-1, 1-2)	PS #2 (2-1, 2-2)	PS #3 (3-1, 3-2)
	LOAD A	LOAD B	LOAD C
1	ON	OFF	ON
2	OFF	ON	OFF
3	ON	ON	ON
4	OFF	OFF	OFF

KENALL
A+ R/A/E/DN
F-3562
041510



www.kenall.com | P: 800-4-Kenall | F: 262-891-9701 | 10200 55th Street Kenosha, Wisconsin 53144, USA
This product complies with the Buy American Act: manufactured in the United States with more than 50% of the component cost of US origin. It may be covered by patents found at www.kenall.com/patents. Content of specification sheets is subject to change; please consult www.kenall.com for current product details. ©2019 Kenall Mfg. Co.

A brand of **legrand**