

MIGHTY MAC™

SSB SERIES

PRODUCT FEATURES:

- » Surface ceiling mount – 16"×24", 16"×48"
- » TIG welded housing with no post grinding for additional strength
- » Vertically adjustable bracket secured to housing via thru-studs
- » Completely concealed internal drop slot piano hinge



PROJECT INFORMATION

Job Name _____

Fixture Type _____

Catalog Number _____

Approved by _____

SPECIFICATIONS

HOUSING: One-piece die-formed prime grade material as specified – see ordering information. Corners continuously seam welded and smooth with no post grinding (TIG). Clamshell housing resistant to penetration and contraband concealment.

BASEPLATE: Prime grade material as specified – see ordering information. Die-formed blade trap (1/4" minimum) prevents contraband concealment and access. Embossed standoffs prevent distortion.

LENS: As specified – maximum thickness .625" – see ordering information. Kenall recommends a prismatic inner lens and a clear outer lens. Two clear lenses used in combination cannot be provided.

LENS RETENTION: Vertically adjustable continuous "Z" brackets of prime grade material, secured to housing via thru-studs (6" maximum spacing).

HINGE: 2' completely concealed internal drop slot piano hinge (1/2" knuckle/1/8" diameter pin) standard. Pin secured to knuckle. Hinge welded to housing and mounts to either side of baseplate via keyholes. See Options for Full Length Internal Hinge (IHF).

ELECTRICAL: Available 3000K, 3500K, 4000K and 5000K color temperatures, 82 CRI. 120-277VAC, or 347VAC 50/60Hz electrical input with serviceable high power factor electronic, constant-current driver (<20% THD, >0.95 PF). Standard 0-10V dimming with 1-100% range and dim-to-dark capabilities (non dim-to-dark with 347V); 330µA max. source current.

SENSOR & CONTROLS: Optional sensor available with compatible third party controls. To see the full list of compatible controls, click [here](#).

FASTENERS: Hardened security screws as specified – see ordering information. Fully recessed.

FINISH: TGIC polyester powder coat – 5-stage pre-treatment. Salt spray test: 1,000 hours; Reflectance: 92%.

LAMPS: Quantity and type as specified – see ordering information. Lamps supplied by others.

BALLAST: Quantity and type as specified – see ordering information. All ballasts UL listed class P. Optional removable reflector/lamp/ballast tray with quick disconnect.

LUMINOUS SEAL: Polyurethane foam prevents light leaks from luminaire base.

INSTALLATION: Fixture not suitable for Surface Conduit or Continuous Row Mounting.

PHOTOMETRICS: Efficiency of SSB4-0/0-332-IS-1-120-1/B-1 = 66.5%. For photometric information, go to www.kenall.com.

WARRANTY: Limited five (5) year warranty on LED lamps.

LISTINGS: UL and CUL listed for damp locations. See ordering information for wet location applications.



ORDERING INFORMATION (Ex: SSB-4-1/1-67L35K-DCC-277-SYM/B-1-DLN)

Model	Size	Hsg./Door Material	Lamp Qty	Lamp Type	Ballast/Driver	Ballast Qty	Voltage	Lens (Inner/Outer)	Fasteners	Options
SSB	/	/	/	/	/	/	/	/	/	/
Nominal Size		Lamp Type			Ballast Quantity (n/a with LED)			Fastener		
2	16"×24"	2' Nominal Length			1	One	1	Torx® T-20 Head w/ Center Pin		
4	16"×48"	17 F17T8			2	Two	2	Allen Head w/ Center Pin		
Housing/Base Material		31U F31T8 (2 Lamp Max.)			Voltage			Options		
0	14-Ga CRS (Painted White)	40B F40TT (3 Lamp Max.)			DV 120-277 Volts			EL•† Standard Lumen EL Pack		
1	16-Ga CRS (Painted White)	4' Nominal Length			120 120 Volts			LEL Integral 8.4W Emergency Battery Backup (45L max; n/a 347V, 0°C min ambient)		
3	14-Ga SS (Painted White)	45L30K 45 Watt 3000K LED			277 277 Volts			LELST Integral 6W Self-Testing Emergency Battery Backup (45L max; n/a 347V, 0°C min ambient)		
4	16-Ga SS (Painted White)	45L35K 45 Watt 3500K LED			347 347 Volts (Consult Factory)			DLN LED Night Light w/Light Level Control (100% - 20%)		
6*	14-Ga SS (Brushed)	45L40K 45 Watt 4000K LED			Lens (Inner/Outer)‡			FS Single Fuse & Holder		
7*	16-Ga SS (Brushed)	45L50K 45 Watt 5000K LED			SYM* Symmetric, Diffused DR Acrylic			IHF Full Length Internal Hinge		
9	12-Ga CRS (Painted White)	67L30K 67 Watt 3000K LED			0 No Lens			RGT Removable Gear Tray		
Lamp Quantity (n/a with LED)		67L35K 67 Watt 3500K LED			1 .125" Prismatic Acrylic			SK Speaker Housing Extension		
2	Two	67L40K 67 Watt 4000K LED			2 .125" Prismatic Polycarbonate			WL Wet Location Listed		
3	Three	67L50K 67 Watt 5000K LED			3 .125" Textured Polycarbonate			* n/a as Base Material		
4	Four	90L30K 90 Watt 3000K LED			G* .125" Clear Polycarbonate			• EL Pack available w/max. two F54T5HO		
		90L35K 90 Watt 3500K LED			4 .156" Prismatic Polycarbonate			† Refer to lens specifications		
		90L40K 90 Watt 4000K LED			TG .250" Textured Tempered Glass			‡ n/a with LED Lamp Type		
		90L50K 90 Watt 5000K LED			6 .187" Prismatic Polycarbonate			▼ Must be paired with prismatic, textured or diffused lens when ordering LED lamps		
		28 F28T5			7* .187" Clear Polycarbonate			▲ Can only be used with clear outer lens		
		32 F32T8			8* .187" Clear Tempered Glass					
		54 F54T5HO (3 Lamp Max.)			9* .250" Clear Polycarbonate					
		Ballast/Driver Type			A* .250" Clear Tempered Glass					
		DCC Dimming Constant Current LED Driver			B* .375" Clear Polycarbonate					
		IS Instant Start Electronic <10% THD (T8)			C* .375" Clear Tempered Glass					
		RS Rapid Start Electronic <10% THD (CFL, T8, T5, T5HO)			J* .500" Clear Polycarbonate					
		SB Specified Ballast			P* .500" Clear Tempered Glass					



www.kenall.com | P: 800-4-Kenall | F: 262-891-9701 | 10200 55th Street Kenosha, Wisconsin 53144, USA

A brand of **legrand**

This product complies with the Buy American Act: manufactured in the United States with more than 50% of the component cost of US origin. It may be covered by patents found at www.kenall.com/patents. Content of specification sheets is subject to change; please consult www.kenall.com for current product details. ©2022 Kenall Mfg. Co.

MIGHTY MAC™

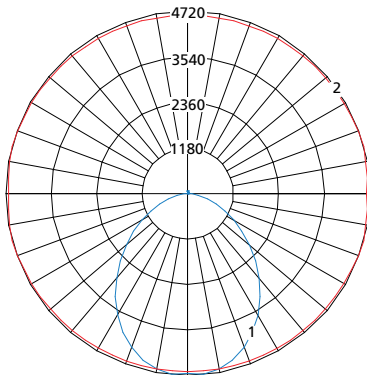
SSB SERIES

PERFORMANCE

Lamp Type	Initial Delivered Lumens		Input Power (W)	Drive Current (mA)	Estd. L70 LED Life (Hrs)
	@ 25°C	Efficacy (lm/W)			
45L30K	5,040	109	46	100	80,000
45L35K	5,195	112	46	100	80,000
45L40K	5,373	116	46	100	80,000
45L50K	5,593	121	46	100	80,000
67L30K	8,047	108	74	75	80,000
67L35K	8,296	111	74	75	80,000
67L40K	8,579	115	74	75	80,000
67L50K	8,931	120	74	75	80,000
90L30K	9,938	103	97	100	80,000
90L35K	10,245	106	97	100	80,000
90L40K	10,595	109	97	100	80,000
90L50K	11,029	114	97	100	80,000

NOTE: All products tested with SYM/B lens configuration. See "Lumen Output Scaling Factor" table for output values with alternate lens configurations. Information subject to change without notice. Visit www.kenall.com for IES files and additional information.

Model: SSB-4-x-y-90L40K-DCC-z-SYM-B-1



Maximum Candela = 4720 Located At Horizontal Angle = 15, Vertical Angle = 2.5

- 1 - Vertical Plane Through Horizontal Angles (15-195) (Through Max. Cd.)
- 2 - Horizontal Cone Through Vertical Angle (2.5) (Through Max. Cd.)

LUMEN OUTPUT SCALING FACTORS

Lens Configuration	Inner Lens	Outer Lens	Scaling Factor
SYM/G	1/8" Frost Acrylic	1/8" Clear PC	1.10
SYM/7		3/16" Clear PC	1.06
SYM/8		3/16" Clear TG	1.06
SYM/9		1/4" Clear PC	1.03
SYM/B		3/8" Clear PC	1.00
SYM/C		3/8" Clear TG	1.03
SYM/J		1/2" Clear PC	0.99
1/G	1/8" Prismatic Acrylic	1/8" Clear PC	1.04
1/9		1/4" Clear PC	0.99
1/B		3/8" Clear PC	0.99
2/J	1/8" Prismatic PC	1/2" Clear PC	0.87

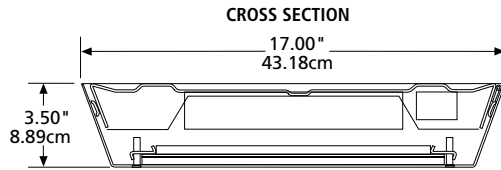
NOTE: Use this table to determine the lumen output and efficacy of the desired lens configuration by multiplying the provided value with the appropriate number in the "Performance" table above.



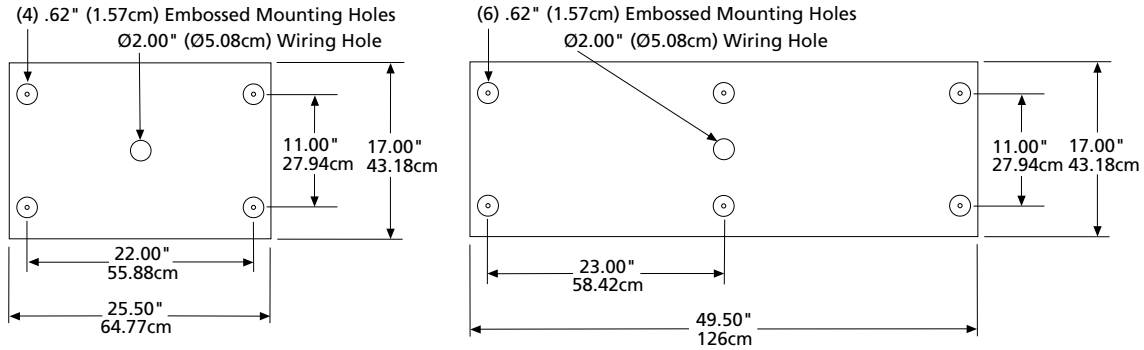
MIGHTY MAC™
SSB SERIES

For additional photometry, go to www.kenall.com

DIMENSIONAL DATA



MOUNTING HOLES



www.kenall.com | P: 800-4-Kenall | F: 262-891-9701 | 10200 55th Street Kenosha, Wisconsin 53144, USA

A brand of **legrand**

This product complies with the Buy American Act: manufactured in the United States with more than 50% of the component cost of US origin. It may be covered by patents found at www.kenall.com/patents. Content of specification sheets is subject to change; please consult www.kenall.com for current product details. ©2022 Kenall Mfg. Co.

SSB-120122