

MIGHTY MAC™

RMCD SERIES

PRODUCT FEATURES:

- » Recessed convertible ceiling mount – 24"×24" and 24"×48" lengths
- » TIG welded housing with no post grinding for additional strength
- » Vertically adjustable Z bracket with thru-studs spaced 6" apart
- » Full length concealed internal piano hinge
- » Ligature resistant construction



PROJECT INFORMATION

Job Name _____

Fixture Type _____

Catalog Number _____

Approved by _____

SPECIFICATIONS

HOUSING: Die-formed prime grade material as specified – see ordering information. TIG and spot welded construction.

LENS: As specified – maximum thickness .625" – see ordering information. Kenall recommends a prismatic inner lens and a clear outer lens. Two clear lenses used in combination cannot be provided.

LENS RETENTION: Vertically adjustable continuous "Z" brackets of prime grade material, secured to housing via thru-studs (6" maximum spacing).

DOOR: One-piece die-formed prime grade material as specified – see ordering information. Corners continuously seam welded and smooth with no post grinding (TIG).

HINGE: Full length completely concealed internal piano hinge (1/2" knuckle/1/8" diameter pin) standard. Pin secured to knuckle. Hinge welded to door.

FASTENERS: Fully recessed hardened security screws as specified – see ordering information.

FINISH: TGIC polyester powder coat – 5-stage pre-treatment. Salt spray test: 1,000 hours; Reflectance: 92%.

LED ELECTRICAL: Available 3000K, 3500K, 4000K and 5000K color temperatures, 82 CRI. 120-277VAC, or 347VAC 50/60Hz electrical input with serviceable high power factor electronic, constant-current driver (<20% THD, >0.95 PF). Standard 0-10V dimming with 1-100% range and dim-to-dark capabilities (non dim-to-dark with 347V); 330µA max. source current.

SENSOR & CONTROLS: Optional sensor available with compatible third party controls. To see the full list of compatible controls, click [here](#).

LAMPS: Quantity and type as specified – see ordering information. Lamps supplied by others.

BALLAST: Quantity and type as specified – see ordering information. All ballasts UL listed class P.

LUMINOUS SEAL: Polyurethane foam prevents light leaks from luminaire base.

WARRANTY: Limited five (5) year warranty on LED lamps.

PHOTOMETRICS: For photometric information, go to www.kenall.com.

LISTINGS: UL and CUL listed for damp locations. See ordering information for Wet Location applications. Non IC rated. Ligature resistant construction.



ORDERING INFORMATION (Ex: RMCD-4-TG-0/0-45L35K-DCC-DV-SYM/B-1-LEL)

Model	Size	Ceiling Type	Door/Housing	Lamp Qty	Lamp Type	Ballast/Driver	Ballast Qty	Voltage	Lens (Inner/Outer)	Fasteners	Options
RMCD			/						/		
	Nominal Size				Lamp Type		Ballast Quantity (n/a with LED)			Fastener	
	2 24"×24"				2' Nominal Length		1 One			1 Torx® T-20 Head w/ Center Pin	
	4 24"×48"				45L30K 45 Watt 3000K LED		2 Two			2 Allen Head w/ Center Pin	
					45L35K 45 Watt 3500K LED			Voltage			Options
					45L40K 45 Watt 4000K LED			DV 120-277 Volts			LEL Integral 10W Emergency Battery Backup (4' only, 90L max; n/a 347V, 0°C min ambient)
		Ceiling Type			45L50K 45 Watt 5000K LED			120 120 Volts			LELST Integral 6W Self-Testing Emergency Battery Backup (4' only, 90L max; n/a 347V, 0°C min ambient)
		FL/TR Flange/Threaded Rod			67L30K 67 Watt 3000K LED			277 277 Volts			DLN LED Night Light w/Light Level Control (100% - 20%; Voltage specific selection required; n/a 347V)
		FL/CC Flange/Cross Channel			67L35K 67 Watt 3500K LED			347 347 Volts			EL† Standard Lumen EL Pack
		FL/Y Flange/Yoke			67L40K 67 Watt 4000K LED						FS Single Fuse & Holder
		FL/SA Flange/Swing-Out Arms			67L50K 67 Watt 5000K LED						SC Specified Ceiling
		TG T-Grid			17 F17T8						WL Wet Location Listed
		MP* Metal Pan									† n/a with LED Lamp Type
		CZ Concealed Z-Spline			4' Nominal Length						* n/a as Hsg. Material
					45L30K 45 Watt 3000K LED						‡ Refer to lens specifications
					45L35K 45 Watt 3500K LED						• LED Lamping Only
					45L40K 45 Watt 4000K LED						» Can only be used with clear outer lens
					45L50K 45 Watt 5000K LED						▲ Must be paired with prismatic, textured or diffused lens when ordering LED lamps
					67L30K 67 Watt 3000K LED						▼ Consult Grid system manufacturer for product compatibility
					67L35K 67 Watt 3500K LED						
					67L40K 67 Watt 4000K LED						
					67L50K 67 Watt 5000K LED						
					90L30K 90 Watt 3000K LED						
					90L35K 90 Watt 3500K LED						
					90L40K 90 Watt 4000K LED						
					90L50K 90 Watt 5000K LED						
					32 F32T8						
					Lamp Quantity (n/a with LED)						
					2 Two						
					3 Three						
					4 Four						
					Ballast/Driver Type						
					DCC Dimming Constant Current						
					IS Instant Start Electronic <10% THD (T8)						
					RS Rapid Start Electronic <10% THD (CFL, T8)						
					SB Specified Ballast						



www.kenall.com | P: 800-4-Kenall | F: 262-891-9700 | 10200 55th Street Kenosha, Wisconsin 53144, USA
 This product can comply with the latest domestic preference legislation, such as the Buy American Act (BAA), Trade Agreement Act (TAA), Build America Act (BABA), and others. It may be covered by patents found at www.kenall.com/patents. Content of specification sheets is subject to change; please consult www.kenall.com for current product details. ©2024 Kenall Mfg. Co.

A brand of **legrand**

MIGHTY MAC™

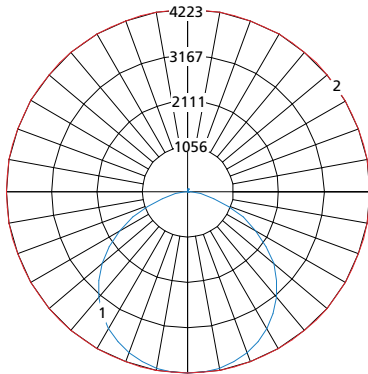
RMCD SERIES

PERFORMANCE

Length	Lamp Type	Initial Delivered Lumens		Input Power (W)	Drive Current (mA)	Estd. L70 LED Life (Hrs)
		@ 25°C	Efficacy (lm/W)			
2' 60.96cm	45L30K	3,906	84	46	100	80,000
	45L35K	4,027	87	46	100	80,000
	45L40K	4,164	90	46	100	80,000
	45L50K	4,335	93	46	100	80,000
	67L30K	6,237	84	74	75	80,000
	67L35K	6,430	86	74	75	80,000
	67L40K	6,649	89	74	75	80,000
	67L50K	6,922	93	74	75	80,000
4' 1.22m	45L30K	4,354	94	46	100	80,000
	45L35K	4,489	97	46	100	80,000
	45L40K	4,642	100	46	100	80,000
	45L50K	4,832	104	46	100	80,000
	67L30K	6,953	93	74	75	80,000
	67L35K	7,168	96	74	75	80,000
	67L40K	7,412	100	74	75	80,000
	67L50K	7,716	104	74	75	80,000
	90L30K	8,586	89	97	100	80,000
	90L35K	8,851	91	97	100	80,000
	90L40K	9,153	95	97	100	80,000
	90L50K	9,529	98	97	100	80,000

NOTE: All products tested with SYMB lens configuration. See "Lumen Output Scaling Factor" table for output values with alternate lens configurations. Information subject to change without notice. Visit www.kenall.com for IES files and additional information.

Model: RMCD-4-w-x-y-90L40K-DCC-z-SYM-B-1



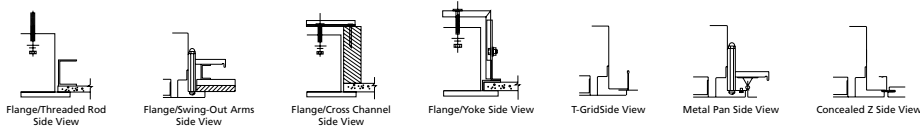
Maximum Candela = 4223 Located At Horizontal Angle = 210, Vertical Angle = 5

- 1 - Vertical Plane Through Horizontal Angles (210-31) (Through Max. Cd.)
- 2 - Horizontal Cone Through Vertical Angle (5) (Through Max. Cd.)

LUMEN OUTPUT SCALING FACTORS

Lens Configuration	Inner Lens	Outer Lens	Scaling Factor
SYM/G	1/8" Frost Acrylic	1/8" Clear PC	1.10
SYM/7		3/16" Clear PC	1.06
SYM/8		3/16" Clear TG	1.06
SYM/9		1/4" Clear PC	1.03
SYM/B		3/8" Clear PC	1.00
SYM/C		3/8" Clear TG	1.03
SYM/J		1/2" Clear PC	0.99
1/G		1/8" Prismatic Acrylic	1/8" Clear PC
1/9	1/4" Clear PC		0.99
1/B	3/8" Clear PC		0.99
2/J	1/8" Prismatic PC	1/2" Clear PC	0.87

NOTE: Use this table to determine the lumen output and efficacy of the desired lens configuration by multiplying the provided value with the appropriate number in the "Performance" table above.



www.kenall.com | P: 800-4-Kenall | F: 262-891-9700 | 10200 55th Street Kenosha, Wisconsin 53144, USA
 This product can comply with the latest domestic preference legislation, such as the Buy American Act (BAA), Trade Agreement Act (TAA), Build America, Buy America Act (BABA), and others. It may be covered by patents found at www.kenall.com/patents. Content of specification sheets is subject to change; please consult www.kenall.com for current product details. ©2024 Kenall Mfg. Co.

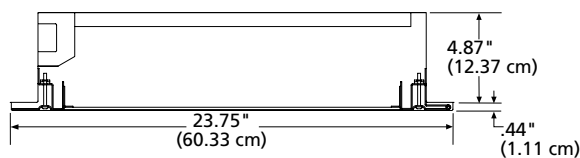
A brand of **Legrand**

MIGHTY MAC™

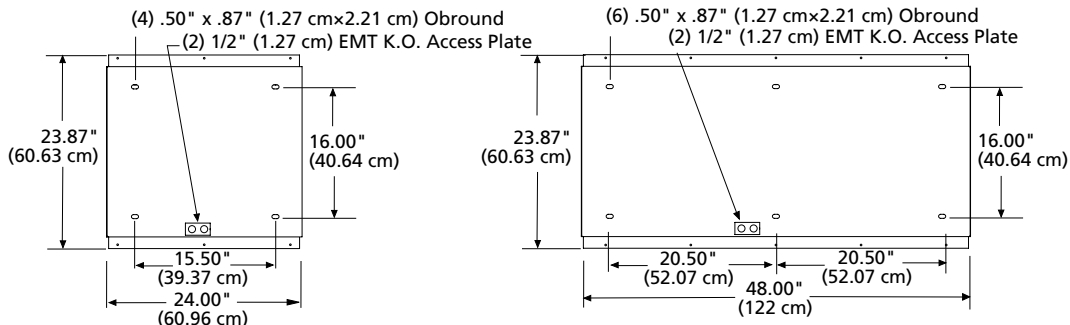
RMCD SERIES

DIMENSIONAL DATA

CROSS SECTION



MOUNTING HOLES



RECOMMENDED CEILING CUTOUT: 24.25" x 22.44" (61.60 cm x 56.99 cm)

RECOMMENDED CEILING CUTOUT: 48.25" x 22.44" (122 cm x 56.99 cm)

