

# SIMPLESEAL™

## CSEFI SERIES – LF

### PRODUCT FEATURES:

- » Recessed ceiling mount – flange; 1'x4', 2'x2', 2'x4'
- » IP65 Rated
- » Continuous row mount for multiple luminaires



### PROJECT INFORMATION

Job Name \_\_\_\_\_

Fixture Type \_\_\_\_\_

Catalog Number \_\_\_\_\_

Approved by \_\_\_\_\_

### SPECIFICATIONS

**HOUSING:** 20-gauge CRS. Hole-free seam welded construction. White TGIC polyester powder coat finish – 5-step pre-treatment. Salt spray test: 1,000 hours; Reflectance: 92%.

**HOUSING FLANGE:** 18-gauge CRS. Mitered and welded corners then spot-welded to housing.

**DOORFRAME:** 18-gauge CRS. One-piece inset construction welded corners. White TGIC polyester powder coat finish – 5-step pre-treatment. Salt spray test: 1,000 hours; Reflectance: 92%. Doorframe secured to housing with aircraft cables and (8) for 1'x4', 2'x2', (10) for 2'x4' captive mounted Phillips head stainless steel fasteners. Doorframe Gasket: Closed cell extruded silicone gasket seals doorframe to housing.

**LENS:** .125" P12 acrylic lens sealed to doorframe with silicone sealant and secured with continuous lens retention system. Lens orientation – smooth side out.

**ELECTRICAL:** Fluorescent electronic ballasts (<10% THD). Lamps by others. See Electrical Options for additional options.

**INSTALLATION:** Adjustable swing-out mounting brackets standard.

**WARRANTY:** Limited one (1) year Kenall fluorescent warranty.

**LISTINGS:** UL and CUL Listed for Wet Location. UL certified IP65 per IEC 60598. NSF2 Splash/Non-Food Zone. Meets K230 Leakage Standard for luminaire leakage in pressurized environments and FED-STD-209E/Class 100 (ISO 5) Cleanrooms. Optional radiated and conducted emissions controlled as per MIL-STD-461F.



### ORDERING INFORMATION (Ex: CSEFI24T5-2-54-IS-1-120-2F-2H-1)

Model	Lamp Qty/Type	Ballast Type	Ballast Qty	Voltage	Doorframe	Housing	Lens Type	Options
<b>Model</b>	<b>2x2 – T8</b>	<b>Doorframe Options</b>					<b>Lens Type</b>	
<b>CSEFI14T5</b>	1'x4'	<b>2F</b>	Two F17T8		18-Ga CRS Painted (STD)		<b>Acrylic</b>	
<b>CSEFI22T5</b>	2'x2'	<b>AF**</b>	Three F17T8		Anodized Aluminum		<b>1</b>	.125" #12 Prismatic (STD)
<b>CSEFI24T5</b>	2'x4'	<b>PAF</b>	Four F17T8		.063" Painted Fabricated Aluminum		<b>T</b>	.125" Clear
<b>CSEFI14T8</b>	1'x4'	<b>5F</b>	Six F17T8		20-Ga Type 304 SS Brushed		<b>U</b>	.125" #12 Prismatic Impact Blend
<b>CSEFI22T8</b>	2'x2'	<b>Housing/Flange Options</b>					<b>Polycarbonate</b>	
<b>CSEFI24T8</b>	2'x4'	<b>2H</b>	Two F31T8-1.625" U		20-Ga CRS/18-Ga CRS (STD)		<b>2</b>	.125" #12 Prismatic
		<b>5H5</b>	Three F31T8-1.625" U		20-Ga Type 304 SS/18-Ga Type 304 SS		<b>G</b>	.125" Clear
		<b>2H5</b>			20-Ga CRS/18-Ga Type 304 SS		<b>6</b>	.187" #12 Prismatic
		<b>PAH</b>			.050" (.13cm) Painted Aluminum		<b>Tempered Glass</b>	
							<b>TG</b>	.250" Textured Tempered Glass
							<b>Military Standard Listed</b>	
							<b>S</b>	.125" P12 Acrylic with EMI Grid, Prismatic Side Out
							<b>Specified Lens</b>	
							<b>SL</b>	Specified Lens
							<b>Options</b>	
							<b>EL**</b>	One-Lamp Indoor Battery Pack (32°F)
							<b>PEL**</b>	High Lumen EL Pack
							<b>SEL**</b>	Specified EL Pack
							<b>DLN**</b>	LED Night Light w/Light Level Control (100%-20%)
							<b>FS**</b>	HLR/GLR Fuse & Holder
							<b>HJ</b>	Sealed Wireway
							<b>IF</b>	Install Frame
							<b>PF</b>	Plaster Frame
							<b>RM</b>	Continuous Row Mounting
							<b>TH</b>	1/2" (1.27cm) Trade Size Threaded Hub
							<b>TN</b>	PL Night Light – 5/7/9 Watt (Lamp supplied by other) (120-277V only)
							<b>UV</b>	UV Filtering Lens (Specify)
								*n/a w/three (3) F54T5HO on 1x4 and six (6) F54T5HO on 2x4
								•n/a with four (4) F550T or F55T lamps
								†n/a with 347V



www.kenall.com | P: 800-4-Kenall | F: 262-891-9701 | 10200 55th Street Kenosha, Wisconsin 53144, USA

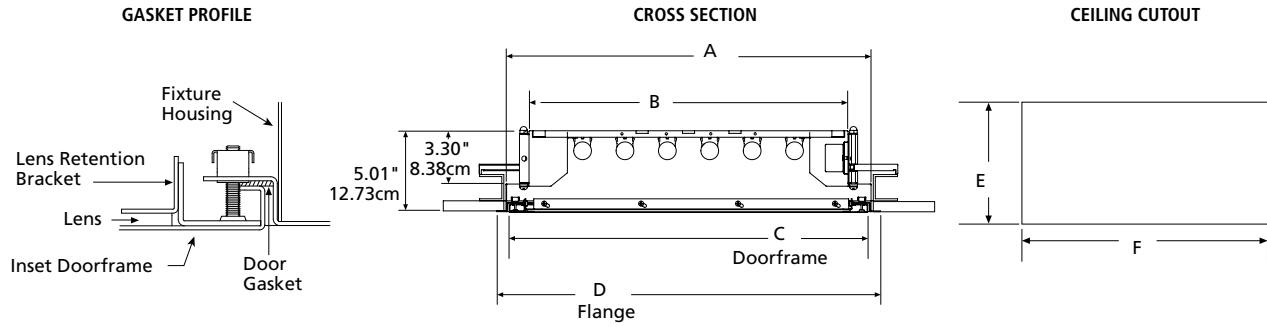
A brand of **legrand**

This product complies with the Buy American Act: manufactured in the United States with more than 50% of the component cost of US origin. It may be covered by patents found at www.kenall.com/patents. Content of specification sheets is subject to change; please consult www.kenall.com for current product details. ©2022 Kenall Mfg. Co.

# SIMPLESEAL™

## CSEFI SERIES – LF

### DIMENSIONAL DATA



DIMENSIONAL DATA (IN INCHES & CENTIMETERS)						
	A	B	C	D	E	F
<b>1x4 T5</b>	12.20x46.60	9.35x46.60	11.80x46.20	13.35x47.75	12.50	46.88
<b>30.48cmx121.92cm</b>	30.99x118.36	23.75x118.36	29.97x117.35	33.91x121.29	31.75	119.08
<b>2x2 T5</b>	22.60x22.60	19.75x22.60	22.20x22.60	23.75x23.75	22.88	22.88
<b>60.96cmx60.96cm</b>	57.40x57.40	50.17x57.40	56.39x57.40	60.33x60.33	58.12	58.12
<b>2x4 T5</b>	22.60x46.60	19.75x46.60	22.20x46.20	23.75x47.75	22.88	46.88
<b>60.96cmx121.92cm</b>	57.40x118.36	50.17x118.36	56.39x117.35	60.33x121.29	58.12	119.08
<b>1x4 T8</b>	12.20x48.13	9.35x48.13	11.80x47.70	13.35x49.27	12.50	48.38
<b>30.48cmx121.92cm</b>	30.99x122.25	23.75x122.25	29.97x121.16	33.91x125.15	31.75	122.89
<b>2x2 T8</b>	22.60x24.13	19.75x24.13	22.20x25.70	23.75x25.27	22.88	24.38
<b>60.96cmx60.96cm</b>	57.40x61.29	50.17x61.29	56.39x65.28	60.33x64.19	58.12	61.93
<b>2x4 T8</b>	22.60x48.13	19.75x48.13	22.20x47.70	23.75x49.27	22.88	48.38
<b>60.96cmx121.92cm</b>	57.40x122.25	50.17x122.25	56.39x121.16	60.33x125.15	58.12	122.89

NOTE: Add .25" (.64cm) to each cut-out dimension when Install Frame (IF) or Plaster Frame (PF) Accessory is specified.



[www.kenall.com](http://www.kenall.com) | P: 800-4-Kenall | F: 262-891-9701 | 10200 55th Street Kenosha, Wisconsin 53144, USA

A brand of Legrand

This product complies with the Buy American Act: manufactured in the United States with more than 50% of the component cost of US origin. It may be covered by patents found at [www.kenall.com/patents](http://www.kenall.com/patents). Content of specification sheets is subject to change; please consult [www.kenall.com](http://www.kenall.com) for current product details. ©2022 Kenall Mfg. Co.