

TPD SERIES

IMPORTANT SAFEGUARDS

When using electrical equipment, basic safety precautions should always be followed, including the following:

THIS PRODUCT MUST BE INSTALLED IN ACCORDANCE WITH THE APPLICABLE INSTALLATION CODE BY A PERSON FAMILIAR WITH THE CONSTRUCTION AND OPERATION OF THE PRODUCT AND THE HAZARDS INVOLVED. DISCONNECT POWER TO ALL CIRCUITS BEFORE WIRING FIXTURE. INSTALL IN ACCORDANCE WITH ALL NATIONAL, STATE, AND LOCAL CODES. DO NOT CONNECT TO AN UNGROUNDED SUPPLY. READ ALL FIXTURE MARKINGS AND LABELS TO ENSURE CORRECT INSTALLATION OF FIXTURE. SUPPLEMENTAL INSTRUCTIONS MAY BE LOCATED ON THE FIXTURE, IN ADDITION TO THIS INSTRUCTION SHEET, REGARDING ORIENTATION, OR MOUNTING RESTRICTIONS.



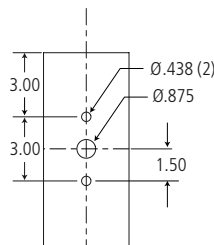
INSTALLATION INSTRUCTIONS

SAVE THESE INSTRUCTIONS

ROUND POLE MOUNTING



Round Pole 'Ready'
TopDek ships ready for round pole installations.

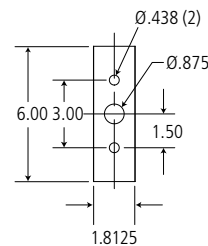


Drilling Template

SQUARE POLE MOUNTING

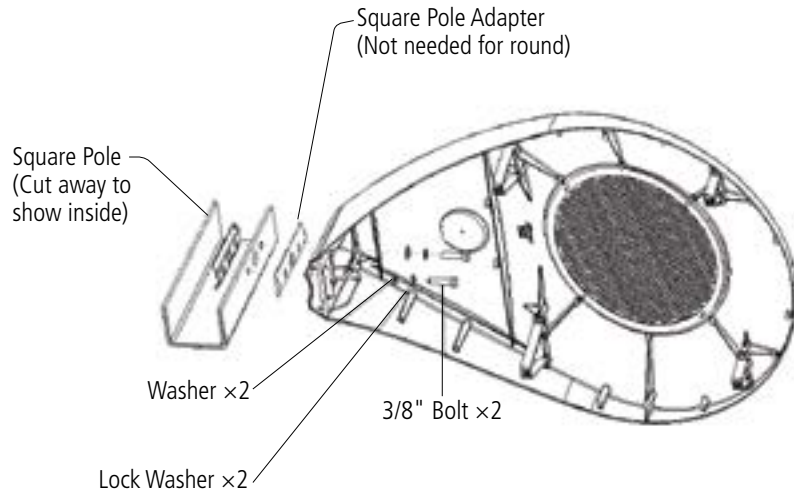


Square Pole Adapter Plate
The adapter plate ships with every unit and enables TopDek to be used in square pole installations.



Square Pole Adapter





1. Remove the lower portion of the housing. Fasten the upper portion to the pole, using the square pole adapter plate if necessary. Feed the appropriate wiring through the center opening.



2. Slip the bottom portion of the housing onto the hinged lip.



3. Make all wiring connections using wet location wire nuts (by others).



4. Swing the lower hinged portion of the fixture upward. Secure the lower to the upper portion of the housing using the captive screws in the lower housing. Installation is complete.

CUSTOMER SERVICE

For technical assistance, call 1-800-4KENALL (1-800-453-6255).

WARRANTY

For warranty information visit www.kenall.com/Resources/Certified-Performance-Warranties



www.kenall.com | P: 800-4-Kenall | F: 262-891-9701 | 10200 55th Street Kenosha, Wisconsin 53144, USA

This product complies with the Buy American Act: manufactured in the United States with more than 50% of the component cost of US origin. It may be covered by patents found at www.kenall.com/patents. Content of specification sheets is subject to change; please consult www.kenall.com for current product details. ©2019 Kenall Mfg. Co.

A brand of **legrand**