

TPD23 SERIES

IMPORTANT SAFEGUARDS

When using electrical equipment, basic safety precautions should always be followed, including the following:

THIS PRODUCT MUST BE INSTALLED IN ACCORDANCE WITH THE APPLICABLE INSTALLATION CODE BY A PERSON FAMILIAR WITH THE CONSTRUCTION AND OPERATION OF THE PRODUCT AND THE HAZARDS INVOLVED. DISCONNECT POWER TO ALL CIRCUITS BEFORE WIRING FIXTURE. INSTALL IN ACCORDANCE WITH ALL NATIONAL, STATE, AND LOCAL CODES. DO NOT CONNECT TO AN UNGROUNDED SUPPLY. READ ALL FIXTURE MARKINGS AND LABELS TO ENSURE CORRECT INSTALLATION OF FIXTURE. SUPPLEMENTAL INSTRUCTIONS MAY BE LOCATED ON THE FIXTURE, IN ADDITION TO THIS INSTRUCTION SHEET, REGARDING ORIENTATION, OR MOUNTING RESTRICTIONS.

SAVE THESE INSTRUCTIONS



WALL MOUNT ADAPTER

- 1: Install hanger mounting bracket to housing.
- 2: Place the wall mounting bracket in desired location and secure to wall with 3/8" bolts or studs (by others). See Figure 2.
- 3: Attach conduit to wall bracket.
- 4: Pull supply wire about 8" from conduit.

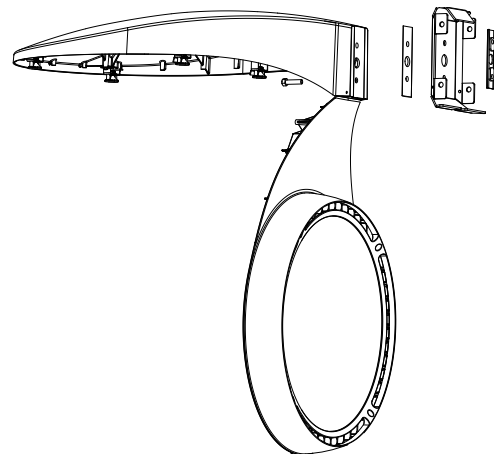


FIGURE 1



- 5: Mount housing onto wall mounting bracket as shown. Be sure the hanger bracket hooks behind the mounting plate. See Figure 3.
- 6: Tighten set screws, (4) securing fixture tightly to wall mounting bracket.
- 7: Make electrical connections.
- 8: Slide cover plate over mounting brackets and fasten with (2) 8-32 × 1/2" screws. Apply bead of weatherproof sealant around the perimeter of cover where it meets the wall and around the conduit hole to seal out water. See Figure 5.

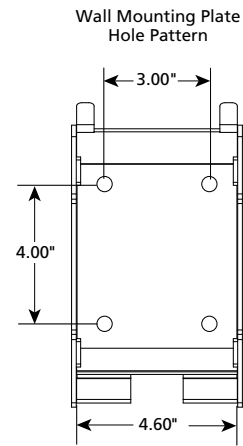


FIGURE 2

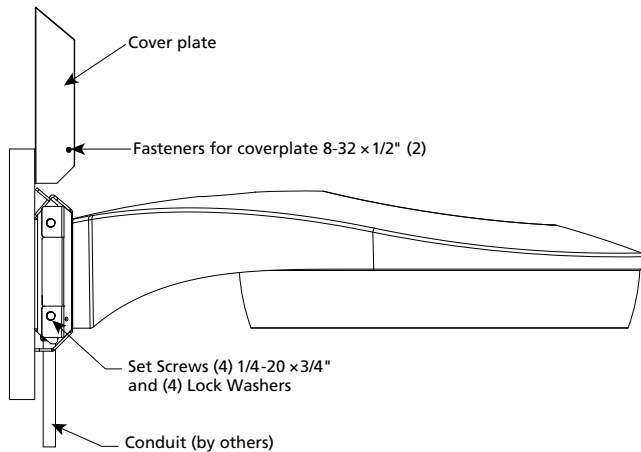


FIGURE 4

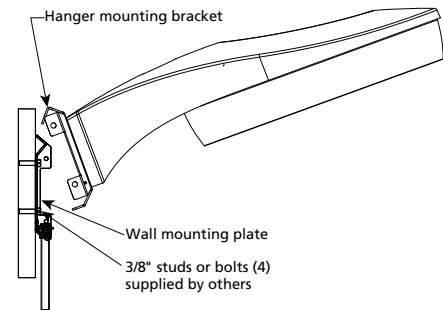


FIGURE 3

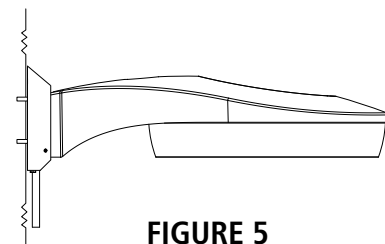


FIGURE 5

CUSTOMER SERVICE

For technical assistance, call 1-800-4KENALL (1-800-453-6255).

WARRANTY

For warranty information visit www.kenall.com/Resources/Certified-Performance-Warranties

