

IMPORTANT SAFEGUARDS

When using electrical equipment, basic safety precautions should always be followed, including the following:

THIS PRODUCT MUST BE INSTALLED IN ACCORDANCE WITH THE APPLICABLE INSTALLATION CODE BY A PERSON FAMILIAR WITH THE CONSTRUCTION AND OPERATION OF THE PRODUCT AND THE HAZARDS INVOLVED. DISCONNECT POWER TO ALL CIRCUITS BEFORE WIRING FIXTURE. INSTALL IN ACCORDANCE WITH ALL NATIONAL, STATE, AND LOCAL CODES. DO NOT CONNECT TO AN UNGROUNDED SUPPLY. READ ALL FIXTURE MARKINGS AND LABELS TO ENSURE CORRECT INSTALLATION OF FIXTURE. SUPPLEMENTAL INSTRUCTIONS MAY BE LOCATED ON THE FIXTURE, IN ADDITION TO THIS INSTRUCTION SHEET, REGARDING ORIENTATION, OR MOUNTING RESTRICTIONS.

CE PRODUIT DOIT ÊTRE INSTALLÉ SELON LE CODE D'INSTALLATION PERTINENT, PAR UNE PERSONNE QUI CONNAÎT BIEN LE PRODUIT ET SON FONCTIONNEMENT AINSI QUE LES RISQUES INHÉRENTS.

THE DOWNLIGHT CONTAINS SENSITIVE ELECTRONICS. TAKE CARE TO AVOID DAMAGE BY IMPROPER HANDLING OR STATIC ELECTRICITY DISCHARGE (ESD). EITHER TYPE OF DAMAGE COULD RENDER THE SYSTEM INOPERABLE OR CAUSE LATENT FAILURE.

SAVE THESE INSTRUCTIONS

Pendant Mount Installation – Swivel Mount Not Recommended

(Kenall does not supply counterbalance system)

1. Install 3/4" NPT conduit hub (supplied by others) into pendant housing.
2. Mount pendant housing to SenScape housing with (4) 10-32 x .500" screws @ 20 in-lb (provided), see Figure 1. For LEL and TL2000PS options mount pendant housing with (4) 10-32 hex nuts (provided), see Figure 2.
3. Attach 3/4" threaded conduit to hub (supplied by others).
4. Make electrical connections in conduit body (supplied by others). Attach 3/4" NPT conduit hub (supplied by others) between conduit and J-box.

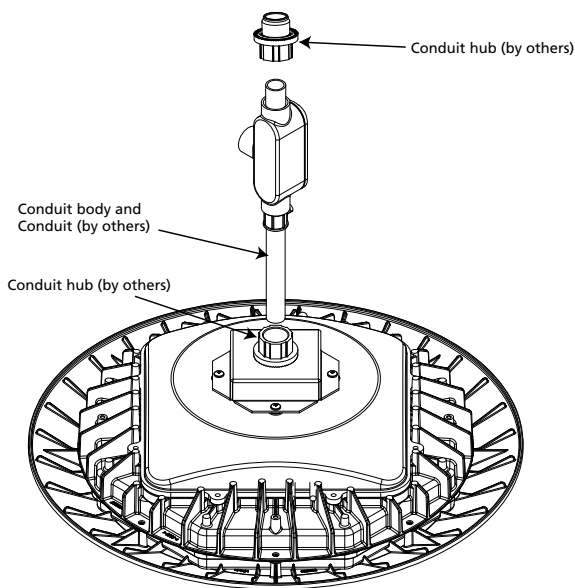


Figure 1

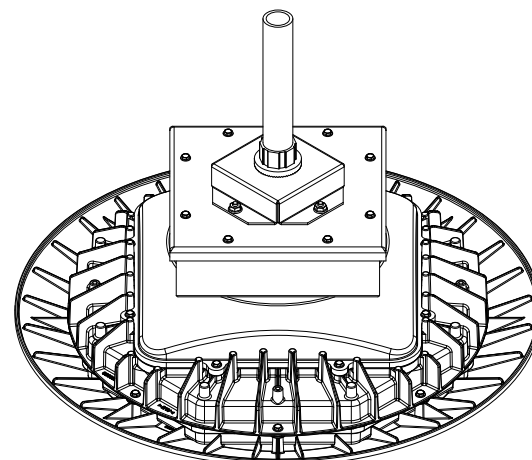
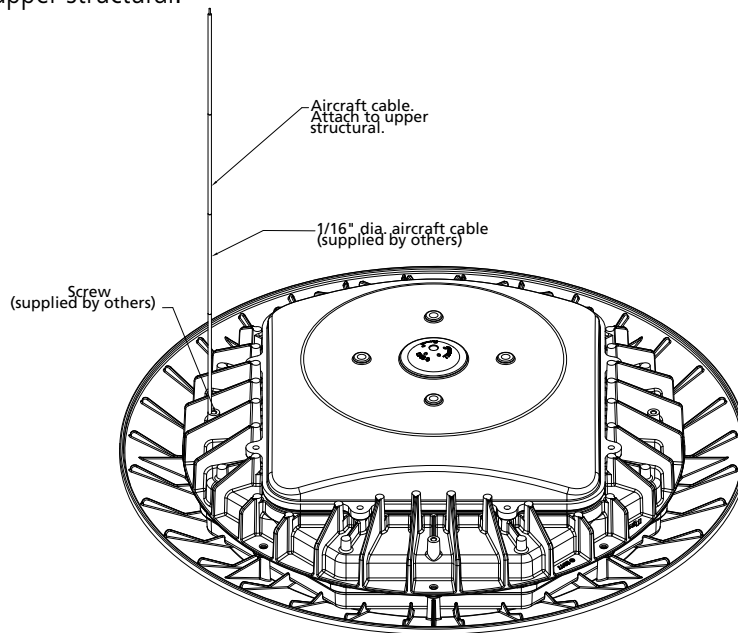


Figure 2



SAFETY RECOMMENDATION

Safety Recommendation: A 1/16" diameter cable with end-loop (not included) is recommended for attaching the fixture structural to the upper structural.



CUSTOMER SERVICE

For technical assistance, call 1-800-4KENALL (1-800-453-6255). For additional instructions, go to www.kenall.com/Installs

WARRANTY

For warranty information visit www.kenall.com/Resources/Certified-Performance-Warranties

