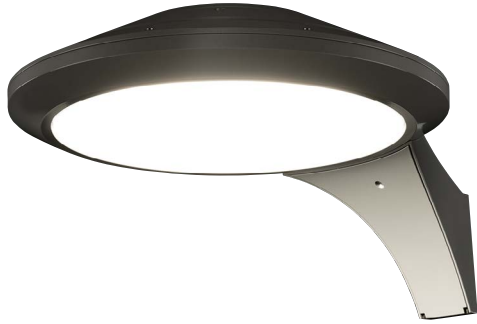


SA SERIES

IMPORTANT SAFEGUARDS

When using electrical equipment, basic safety precautions should always be followed, including the following:

THIS PRODUCT MUST BE INSTALLED IN ACCORDANCE WITH THE APPLICABLE INSTALLATION CODE BY A PERSON FAMILIAR WITH THE CONSTRUCTION AND OPERATION OF THE PRODUCT AND THE HAZARDS INVOLVED. DISCONNECT POWER TO ALL CIRCUITS BEFORE WIRING FIXTURE. INSTALL IN ACCORDANCE WITH ALL NATIONAL, STATE, AND LOCAL CODES. DO NOT CONNECT TO AN UNGROUNDED SUPPLY. READ ALL FIXTURE MARKINGS AND LABELS TO ENSURE CORRECT INSTALLATION OF FIXTURE. SUPPLEMENTAL INSTRUCTIONS MAY BE LOCATED ON THE FIXTURE, IN ADDITION TO THIS INSTRUCTION SHEET, REGARDING ORIENTATION, OR MOUNTING RESTRICTIONS.



INSTALLATION INSTRUCTIONS

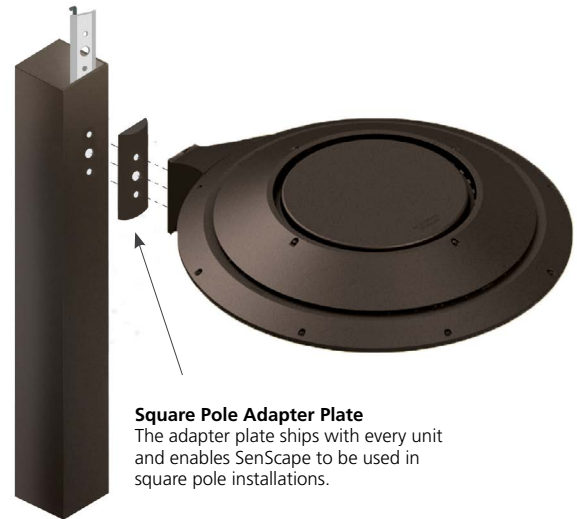
SAVE THESE INSTRUCTIONS

ROUND POLE MOUNTING

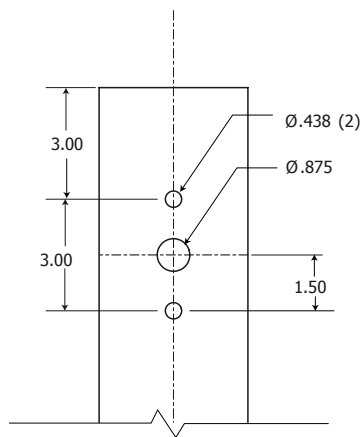


Round Pole 'Ready'
SenScape ships ready for round pole installations.

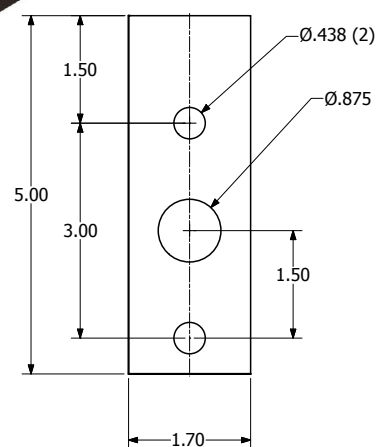
SQUARE POLE MOUNTING



Square Pole Adapter Plate
The adapter plate ships with every unit and enables SenScape to be used in square pole installations.

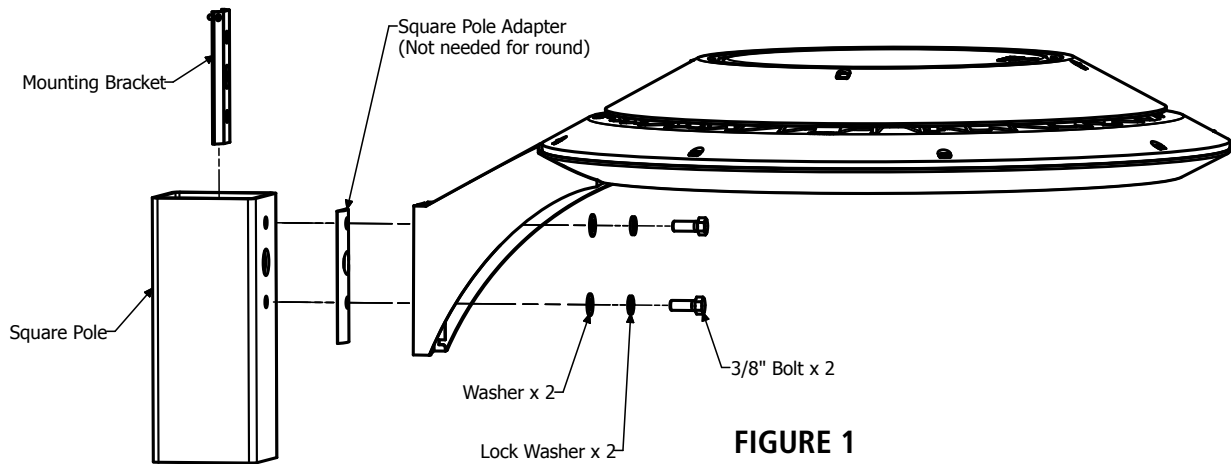


Drilling Template for Square and Round Pole



Square Pole Adapter





1. Make sure power is off and locked out at the panel.
2. Unbox fixture and set on cardboard oriented with the lens side up.
3. Remove arm cover plate by loosening philips screw and set aside (Do not open the fixture housing). See Figure 2.
4. Prepare pole for mounting by drilling holes per template. See Page 1.
5. For square poles:
 - A. Assemble 3/8" bolts provided with lock washers and flat washers and insert them through the fixture arm and then through the square pole adapter. See Figure 1.
 - B. Apply thread lock adhesive to mounting bracket threads.
 - C. Align and temporarily secure or otherwise hold the mounting bracket inside the pole with the holes aligned.
 - D. Lift fixture with hardware into alignment and tighten bolts to 25 ft-lbs. (300 In-lbs) (* this step may require more than one person).
6. For round poles
 - A. Remove v-shaped metal section from fixture mounting arm top and bottom surfaces. (See figure 4)
 - B. Assemble 3/8" bolts provided with lock washers and flat washers and insert them through the arm as shown in figure 1. (Do not use the square pole adapter).
 - C. Apply thread lock adhesive to mounting bracket threads.
 - D. Align and temporarily secure or otherwise hold the mounting bracket inside the pole with the holes aligned.
 - E. Lift fixture with hardware into alignment and tighten bolts to 25 ft-lbs. (300 In-lbs).



7. Insert insulated conductors of appropriate size and type (including appropriate gauge grounding conductor) through pole and into arm.
8. Complete electrical connections using wet location wiring connectors (by others). (Arrange connectors in arm oriented so that they cannot capture water.)
9. Secure arm cover plate making sure all wires are inside using the screw removed in step 3.

CUSTOMER SERVICE

For technical assistance, call 1-800-4KENALL (1-800-453-6255).

WARRANTY

For warranty information visit www.kenall.com/Resources/Certified-Performance-Warranties



www.kenall.com

P: 800-4-Kenall

F: 262-891-9701

10200 55th Street Kenosha, Wisconsin 53144

A brand of  Legrand

This product may be covered by patents found at www.kenall.com/patents. Content of specification sheets is subject to change; please consult www.kenall.com for current product details.
© 2018 Kenall Mfg. Co. All rights reserved.