

**RFW SERIES**



**IMPORTANT SAFEGUARDS**

**When using electrical equipment, basic safety precautions should always be followed, including the following:**

THIS PRODUCT MUST BE INSTALLED IN ACCORDANCE WITH THE APPLICABLE INSTALLATION CODE BY A PERSON FAMILIAR WITH THE CONSTRUCTION AND OPERATION OF THE PRODUCT AND THE HAZARDS INVOLVED. DISCONNECT POWER TO ALL CIRCUITS BEFORE WIRING FIXTURE. INSTALL IN ACCORDANCE WITH ALL NATIONAL, STATE, AND LOCAL CODES. DO NOT CONNECT TO AN UNGROUNDED SUPPLY. READ ALL FIXTURE MARKINGS AND LABELS TO ENSURE CORRECT INSTALLATION OF FIXTURE. SUPPLEMENTAL INSTRUCTIONS MAY BE LOCATED ON THE FIXTURE, IN ADDITION TO THIS INSTRUCTION SHEET, REGARDING ORIENTATION, OR MOUNTING RESTRICTIONS.

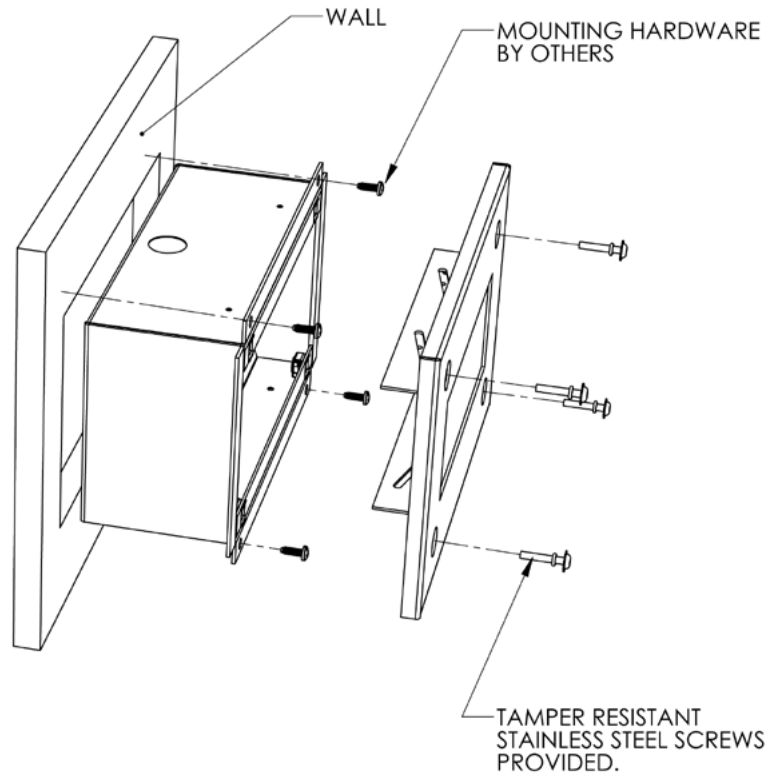
**SAVE THESE INSTRUCTIONS**

Read all fixture markings and labels to insure correct installation of the fixture. Additional information may be located on the fixture, separate from this instruction sheet, regarding orientation and mounting restrictions. Install in compliance with the National Electrical Code, any applicable local codes and any specific instruction given on the luminaire labels. If installing in conjunction with any additional options and/or accessories, also refer to the respective instruction sheets. For installation only by a qualified electrician.

**RECESSED FLANGE INSTALLATION**

1. To ensure an adequate seal between the flange and wall, its is important to have a square opening and a flat wall surface.
2. When gypsum is used as the base material it should have adequate thickness to resist bowing. See appropriate specification sheet or contact Kenall directly for recommended wall cutout dimension.
3. After creating the rough opening, place the fixture into the opening. Attach fixture housing to wall with customer supplied hardware.
4. Continue tightening mounting screws until the fixture is firmly seated in the cutout. Start all doorframe screws by hand.
5. Tighten doorframe hardware to seal doorframe to wall.





ROUGH OPENING  
RWF 8.875 X 5.375

## CAUTION

Care should be exercised when these fixtures will not be installed immediately upon delivery, and if they will not be put into service immediately after installation. Proper fixture performance and a “like new” appearance can only be assured if precautions are taken after fixtures arrive. If fixtures will be on site but uninstalled for any length of time please follow these precautions to prevent damage to the fixtures:

Fixtures should be left palletized in the cardboard gaylord, in an indoor area. If gaylord is opened, fixtures should be indoors and left in their plastic bags to protect from dirt and moisture. Care should be taken to protect edges of fixture from damage, because the damage to any painted surface will cause rust. Fixtures that are installed, but in an unoccupied area, can also be subject to dirt and moisture. Be aware that conduit runs can direct water inside a fixture through the junction box.

Depending on the location, weather in certain localities and certain times of the year can be especially damp. Fixtures in uncontrolled areas that are not in use will likely become covered with condensation. Even wet location rated products are not airtight and moist air will get inside the fixture. This situation is most severe since the heat of the fixture cannot be used to dry out the fixture. This situation is not recommended and eventually rust will begin to form on steel products. Kenall recommends that in these situations, the fixture housing be wrapped in a vented plastic bag and closed up against the wall or ceiling. This will provide short term (weeks) protection for CRS products. Longer exposure (month or longer) to these conditions will require a stainless steel housing and hardware.



**CUSTOMER SERVICE**

---

For technical assistance, call 1-800-4KENALL (1-800-453-6255).

**WARRANTY**

---

Five (5) year warranty on LED lamps and driver for defects resulting in a fixture lumen depreciation of 30% or greater.

Kenall reserves the right to issue credit, repair, or replace the defective merchandise, at its discretion, upon notification and confirmation by its local representative of the defect. Kenall also reserves the right to test and examine the defective product if the defect is questionable and to deny the warranty herein for any product altered, improperly installed, or installed in applications for which it is not intended. This includes operation in ambient temperatures above stated limits for any length of time. Failure by electrical surge shall not be covered under warranty.

Kenall assumes no responsibility for labor or freight costs incurred in connection with the installation, removal, or replacement of products determined to be defective or any other consequential or incidental damages arising from the use of the product. Kenall's entire liability on any claim of loss or damage resulting from a defective product is limited to the replacement price of the product.

