

## SEMI-RECESSED SERIES

### IMPORTANT SAFEGUARDS

When using electrical equipment, basic safety precautions should always be followed, including the following:



THIS PRODUCT MUST BE INSTALLED IN ACCORDANCE WITH THE APPLICABLE INSTALLATION CODE BY A PERSON FAMILIAR WITH THE CONSTRUCTION AND OPERATION OF THE PRODUCT AND THE HAZARDS INVOLVED. DISCONNECT POWER TO ALL CIRCUITS BEFORE WIRING FIXTURE. INSTALL IN ACCORDANCE WITH ALL NATIONAL, STATE, AND LOCAL CODES. DO NOT CONNECT TO AN UNGROUNDED SUPPLY. READ ALL FIXTURE MARKINGS AND LABELS TO ENSURE CORRECT INSTALLATION OF FIXTURE. SUPPLEMENTAL INSTRUCTIONS MAY BE LOCATED ON THE FIXTURE, IN ADDITION TO THIS INSTRUCTION SHEET, REGARDING ORIENTATION, OR MOUNTING RESTRICTIONS.

### SAVE THESE INSTRUCTIONS

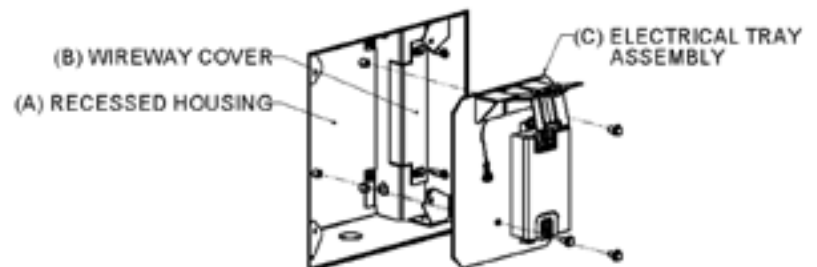
## NL & CC INSTALLATION INSTRUCTIONS

NOTE: This instruction sheet applies to wiring the electrical tray provided for semi-recessed fixtures of type NL (non-IC low profile) and CC (Closed Canopy) mounting styles.

1. Disconnect power to the circuit before wiring fixture(s).
2. Read all markings and labels to ensure correct installation of fixture. Additional information may be located on the fixture components, separate from this instruction sheet, regarding orientation and mounting restrictions.
3. Before installing electrical tray assembly, make sure recessed housing (A) is clean, dry and free of debris.
4. Unpack electrical tray assembly (C)

NOTE: Appearance of electrical tray will vary depending on the model ordered.

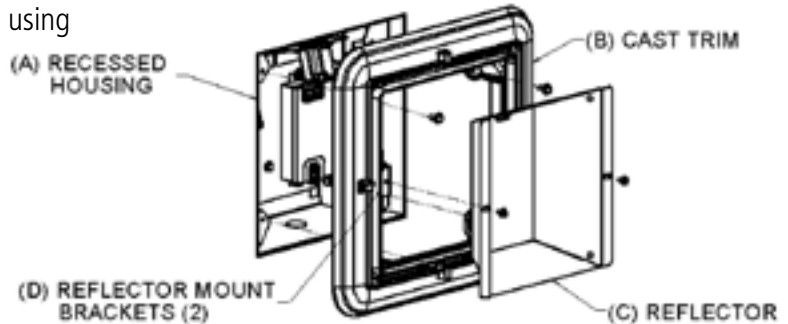
5. Mount electrical tray assembly into recessed housing using the three (3) supplied 10- 32 screws (located in plastic bag). Use all screws provided.
6. Remove wireway cover (B).
7. Make electrical connections. Install in compliance with the National Electrical Code, any applicable local codes, and any specific instructions provided on the luminaire labels. Supply wire must be rated for 90°C minimum.
8. Replace wireway cover (B). Make sure all supply wire connections are inside splice compartment.



9. Discard any screws installed in corner posts of recessed sheet metal housing (A) (screws were used to secure debris shield).
10. Remove lens or lens/eyelid assembly by loosening the four (4) Torx® tamper-resistant screws. Screws only need to be loosened enough to disengage lens.
11. Prepare cast trim (B) for mounting to the recessed sheet metal housing (A). For wet locations, caulk backside of cast trim perimeter. This is necessary to ensure wet location listing. Mount cast trim using the four (4) 10-32 screws provided.

**IMPORTANT:** When wall mounting; attach cast trim (B) so that reflector-mount brackets (D) are aligned to correctly position the reflector (C) in relation to the lamp socket.

12. Mount reflector assembly (C). Install lamp and lens or lens/eyelid assembly. Tighten the four (4) lens retention screws. Check that lens or lens/eyelid is fully secure.

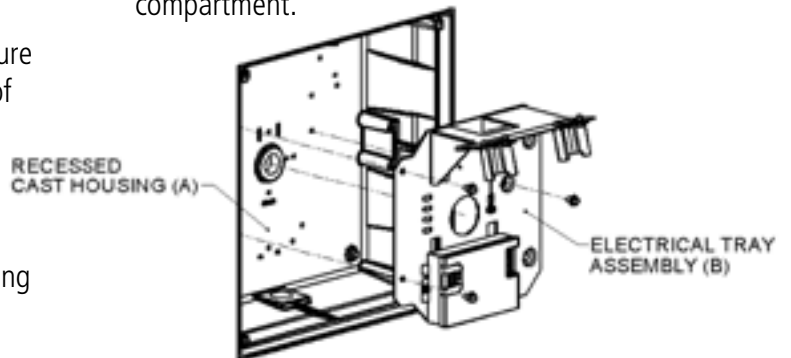


**PP, ND & CO INSTALLATION INSTRUCTIONS**

**NOTE:** This instruction sheet applies to wiring the electrical tray provided for semi-recessed fixtures of type PP (pour-in-place/masonry), ND (non-IC deep profile) and CO (Open Canopy) mounting styles.

1. Disconnect power to the circuit before wiring fixture(s).
2. Read all markings and labels to ensure correct installation of fixture. Additional information may be located on the fixture components, separate from this instruction sheet, regarding orientation and mounting restrictions.
3. Before installing electrical tray assembly, make sure recessed cast housing (A) is clean, dry and free of debris.
4. Unpack electrical tray assembly (B)
5. Remove splice compartment cover (if supplied).

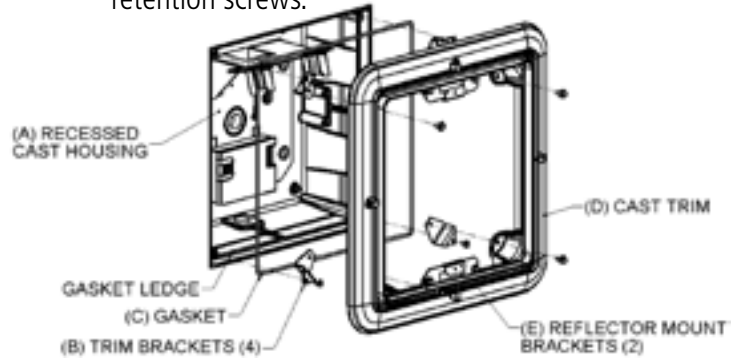
6. Mount electrical tray assembly into recessed cast housing using the supplied 10-32 screws (located in plastic bag). Use all screws provided.
7. Make electrical connections. Install in compliance with the National Electrical Code, any applicable local codes, and any specific instructions provided on the luminaire labels. Supply wire must be rated for 90°C minimum.
8. If supplied, replace splice compartment cover. Make sure all supply wire connections are inside splice compartment.



**NOTE:** Appearance of electrical tray will vary depending on the model ordered.



9. Discard any screws installed in corner posts of recessed cast housing (screws were used to secure debris shield).
  10. Attach four (4) trim brackets (B) to recessed cast housing (A) using the 8-32 screws provided in plastic bag.
  11. Install O-ring gasket (C) into recessed cast housing. Make sure gasket ledge is free of debris. Stretch gasket around four corner screw posts and seat onto gasket ledge.
  12. Remove lens or lens/eyelid assembly by loosening the four (4) Torx® tamper-resistant screws. Screws only need to be loosened enough to disengage lens.
  13. Prepare cast trim (D) for mounting to the recessed cast housing. For wet locations, caulk backside of cast trim perimeter. This is necessary to ensure wet-location listing. Mount cast trim to trim brackets (B) using the four (4) 10-32 screws provided.
- IMPORTANT:** When wall mounting; attach cast trim (D) so that reflector-mount brackets (E) are at 12 o'clock and 6 o'clock positions.
14. Mount reflector assembly. Install lamp and lens or lens/eyelid assembly. Tighten the four (4) lens retention screws.



## CUSTOMER SERVICE

For technical assistance, call 1-800-4KENALL (1-800-453-6255).

## WARRANTY

For warranty information visit [www.kenall.com/Resources/Certified-Performance-Warranties](http://www.kenall.com/Resources/Certified-Performance-Warranties)



www.kenall.com | P: 800-4-Kenall | F: 262-891-9701 | 10200 55th Street Kenosha, Wisconsin 53144, USA

This product complies with the Buy American Act: manufactured in the United States with more than 50% of the component cost of US origin. It may be covered by patents found at [www.kenall.com/patents](http://www.kenall.com/patents). Content of specification sheets is subject to change; please consult [www.kenall.com](http://www.kenall.com) for current product details. ©2019 Kenall Mfg. Co.

A brand of **legrand**