

MRS4 SERIES

IMPORTANT SAFEGUARDS

When using electrical equipment, basic safety precautions should always be followed, including the following:

THIS PRODUCT MUST BE INSTALLED IN ACCORDANCE WITH THE APPLICABLE INSTALLATION CODE BY A PERSON FAMILIAR WITH THE CONSTRUCTION AND OPERATION OF THE PRODUCT AND THE HAZARDS INVOLVED. DISCONNECT POWER TO ALL CIRCUITS BEFORE WIRING FIXTURE. INSTALL IN ACCORDANCE WITH ALL NATIONAL, STATE, AND LOCAL CODES. DO NOT CONNECT TO AN UNGROUNDED SUPPLY. READ ALL FIXTURE MARKINGS AND LABELS TO ENSURE CORRECT INSTALLATION OF FIXTURE. SUPPLEMENTAL INSTRUCTIONS MAY BE LOCATED ON THE FIXTURE, IN ADDITION TO THIS INSTRUCTION SHEET, REGARDING ORIENTATION, OR MOUNTING RESTRICTIONS.

SAVE THESE INSTRUCTIONS

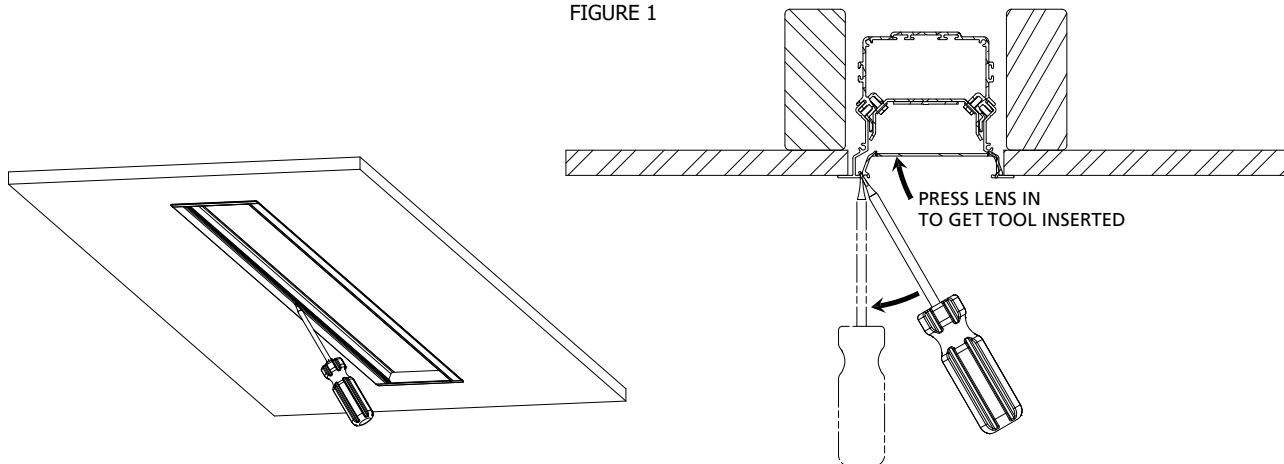
The installation instructions below describe how to install the MRS4 luminaire in various ceiling systems. For all models equipped with the asymmetric optic distribution (ASYM), please follow the directional indicators on both the luminaire housing and LED module wireway for correct orientation.

RECESSED GRID FIXTURES (CEILING TYPE 'G' AND 'TG')

This fixture is designed for use with 9/16" and 15/16" grid profiles with lay-in (G) and tegular (TG) ceiling tiles. Vertical grid T thickness is to be less than 1/4" with a maximum height of 2". Width of the center to center grid dimension is 4-5/8".

1. Disconnect facility power to the electric power supply leads.
2. Install luminaire into grid ceiling. Secure included grid support brackets to side of luminaire and space out evenly along length.
3. Remove snap-in lens by inserting a flat, thin tool into the center side of the lens (see Figure 1). Carefully pull out lens from housing by disengaging the snap fit along the length of the luminaire. Set lens aside in a protected area.

FIGURE 1



4. Remove screws from LED module wireway section nearest the conduit hub. Disconnect wire connectors from LED module assembly. Set LED module assembly in a safe location.
5. Run power supply feed to provided conduit hub.
6. Complete wiring connections to AC supply, earth ground and dimming (if used) following all applicable electrical codes. If a low-voltage controller (LVC / LVCD) option is included and luminaires are paired together, then the units have been built to be controlled in a master-satellite arrangement. The low-voltage (5VDC) connections to the nurse-call/wall control devices should be run to the Master (M) unit. Power and dimming control wires should then be run from the Master (M) unit to the Satellite (S) unit following the included wiring instructions.
7. Reconnect LED module wires and install LED module wireway cover. Make sure all wires are tucked back into wireway before fastening into place.



8. Re-install the lens. Engage one side of the lens back into the housing channel, swing the other side into place, then snap that side into place. Make sure the lens is fully seated into the housing channel on each side.
9. Apply power to luminaire and test for full operation.

RECESSED FLANGE FIXTURES (CEILING TYPE 'FL')

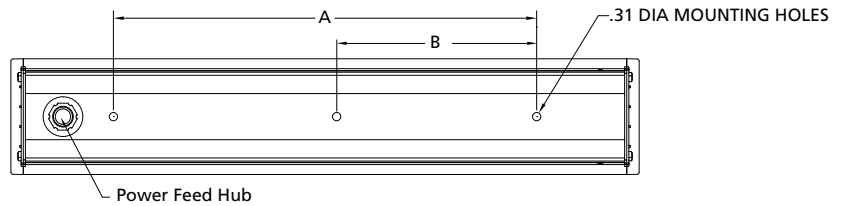
Fixture is designed for installation into framed-out drywall ceilings with up to 5/8" drywall using threaded-rod and hardware (provided by others). Refer to cutout dimensions provided in Table 1.

To ensure seal between the luminaire flange and the ceiling, make sure the drywall is of adequate thickness to resist bowing. It should not run (deviate from a straight edge) more than 1/32" over a 2' distance.

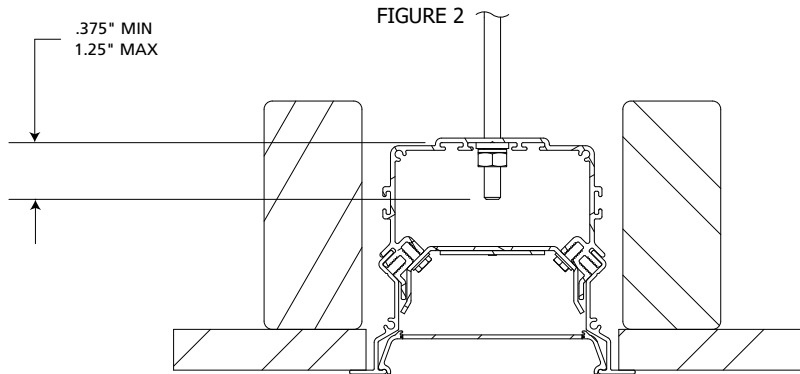
1. Disconnect facility power to the electric power supply leads.
2. Frame out location of luminaire using the cut-out dimensions provided in Table 1. Framing members should run the full length of the luminaire. "C" shaped, 16GA galvanized steel channel is recommended for its straightness.

TABLE 1

Nominal Length	A	B	Ceiling Cut-Out
24	16.00"	----	3.875" × 23.25"
36	28.00"	----	3.875" × 35.25"
48	40.00"	----	3.875" × 47.25"
72	32.00"	16.00"	3.875" × 71.25"
96	44.00"	22.00"	3.875" × 95.25"



3. Using the mounting hole locations within the luminaire housing as a guide (reference Table 1), frame out and position 1/4-20 threaded rod (or suitable alternate means, provided by others) as required for eventually securing the luminaire into the ceiling (see Figure 2).



4. Install drywall such that the luminaire cut-out is within whole pieces of the panel. Ceiling seams and joints should be outside the fixture cut-out, if possible. Drywall shall be secured to the framing members around the opening.
5. Cut-out opening per the dimensions provided. Dimensions should be accurate to 1/16 of an inch. Complete all remaining drywall finishing steps.
6. With luminaire on a work surface, remove the snap-in lens by inserting a flat, thin tool into the center side of the lens (see Figure 1). Carefully remove lens from housing and set aside in a protective area.
7. Remove screws from LED module wireway(s) and disconnect wire connectors from LED module assembly. Set LED module assembly in a safe location.
8. Raise luminaire toward the ceiling. Using an assistant, run a flexible power supply feed to the provided conduit hub.
9. Insert luminaire into ceiling, aligning with threaded rod (or equal) installed previously. Fasten to ceiling using appropriate hardware (by others). Make sure luminaire flange is seated against the drywall.

10. Complete wiring connections to AC supply, earth ground and dimming (if used) following all applicable electrical codes. If a low-voltage controller (LVC / LVCD) option is included and luminaires are paired together, then the units have been built to be controlled in a master-satellite arrangement. The low-voltage (5VDC) connections to the nurse-call/wall control devices should be run to the Master (M) unit. Power and dimming control wires should then be run from the Master (M) unit to the Satellite (S) unit following the included wiring instructions.
11. Reconnect LED module wires and install LED module wireway cover. Make sure all wires are tucked back into wireway before fastening into place.
12. Re-install the lens. Engage one side of the lens back into the housing channel, swing the other side into place, then snap that side into place. Make sure the lens is fully seated into the housing channel on each side.
13. Apply power to luminaire and test for full operation.

TRIMLESS MUD-IN FIXTURES (CEILING TYPE 'TM')

Fixture is designed for installation into framed-out drywall ceilings with up to 5/8" drywall. The flange around the perimeter is designed to be mudded and blended into the ceiling for a clean appearance.

1. Disconnect facility power to the supply leads.
2. Frame out location of luminaire using the cut-out dimensions provided in Table 1. Framing members should run the full length of the luminaire. "C" shaped, 16GA galvanized steel channel is recommended for its straightness.
3. Using the mounting hole locations within the luminaire housing as a guide (reference Table 1), frame out and position 1/4-20 threaded rod (or suitable alternate means, provided by others) as required for eventually securing the luminaire into the ceiling. (see Figure 2).
4. Install drywall such that the luminaire cut-out is within whole pieces of the panel. Ceiling seams and joints should be outside the fixture cut-out, if possible. Drywall shall be secured to the framing members around the opening.
5. Cut-out opening per the dimensions provided. Dimensions should be accurate to 1/16 of an inch.
6. With luminaire on a work surface, remove the snap-in lens by inserting a flat, thin tool into the center side of the lens (see Figure 1). Carefully remove lens from housing and set aside in a protective area.
7. Remove screws from LED module wireway(s) and disconnect wire connectors from LED module assembly. Set LED module assembly in a safe location.
8. Raise luminaire toward the ceiling. Using an assistant, run a flexible power supply feed to the provided conduit hub.
9. Insert luminaire into ceiling, aligning with threaded rod (or equal) installed previously. Fasten to ceiling using appropriate hardware (by others). Make sure luminaire flange is seated against the drywall.
10. Mask internal components of luminaire and mud-in/blend luminaire flanges. Complete all remaining drywall finishing steps.
11. Complete wiring connections to AC supply, earth ground and dimming (if used) following all applicable electrical codes. If a low-voltage controller (LVC / LVCD) option is included and luminaires are paired together, then the units have been built to be controlled in a master-satellite arrangement. The low-voltage (5VDC) connections to the nurse-call/wall control devices should be run to the Master (M) unit. Power and dimming control wires should then be run from the Master (M) unit to the Satellite (S) unit following the included wiring instructions.
12. Reconnect LED module wires and install LED module wireway cover. Make sure all wires are tucked back into wireway before fastening into place.
13. Re-install the lens. Engage one side of the lens back into the housing channel, swing the other side into place, then snap that side into place. Make sure the lens is fully seated into the housing channel on each side.
14. Apply power to luminaire and test for full operation.

CUSTOMER SERVICE

For technical assistance, call 1-800-4KENALL (1-800-453-6255).

WARRANTY

For warranty information visit www.kenall.com/Resources/Certified-Performance-Warranties



www.kenall.com | P: 800-4-Kenall | F: 262-891-9701 | 10200 55th Street Kenosha, Wisconsin 53144, USA

This product complies with the Buy American Act: manufactured in the United States with more than 50% of the component cost of US origin. It may be covered by patents found at www.kenall.com/patents. Content of specification sheets is subject to change; please consult www.kenall.com for current product details. ©2019 Kenall Mfg. Co.

A brand of  **Legrand**